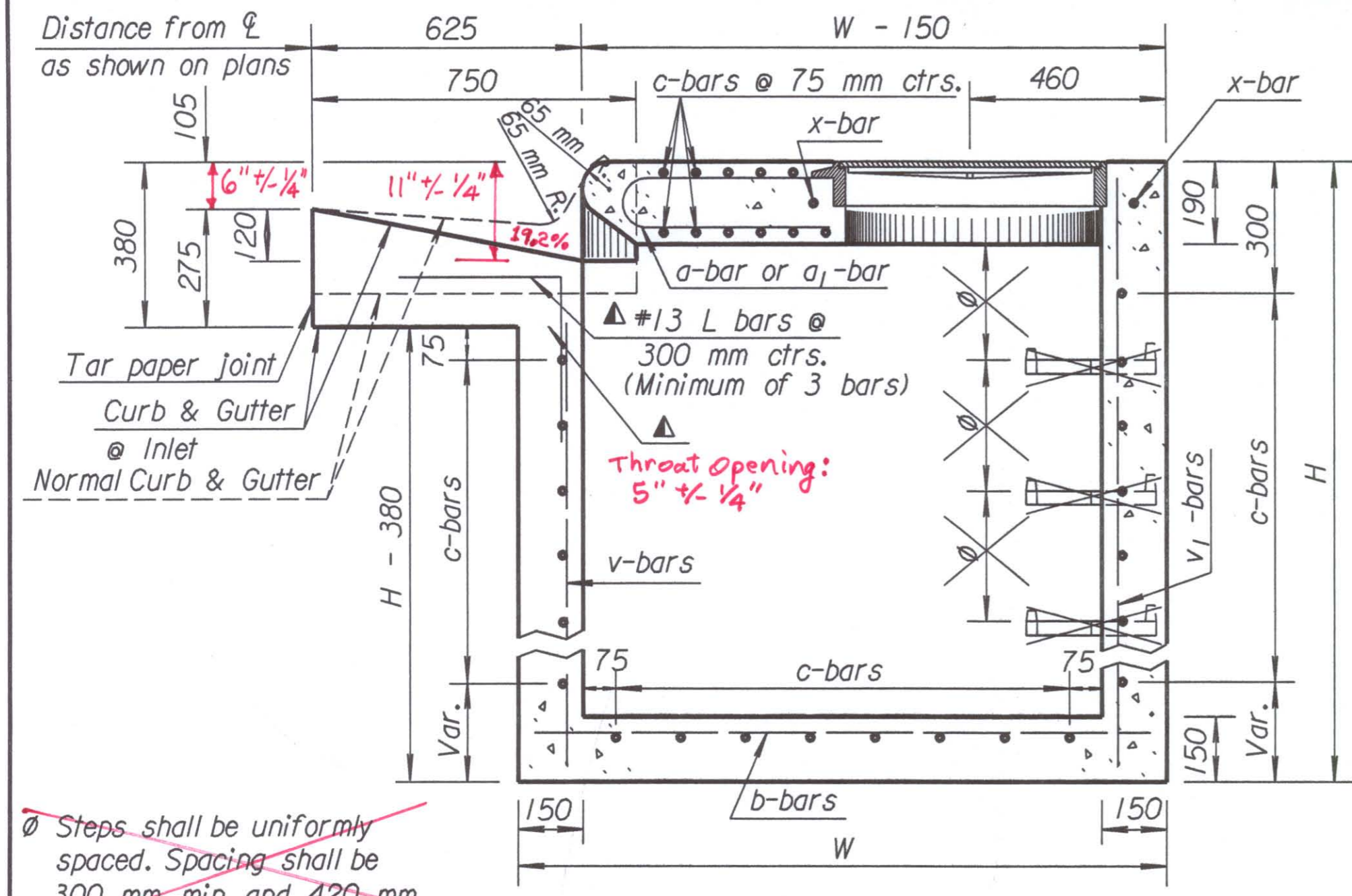
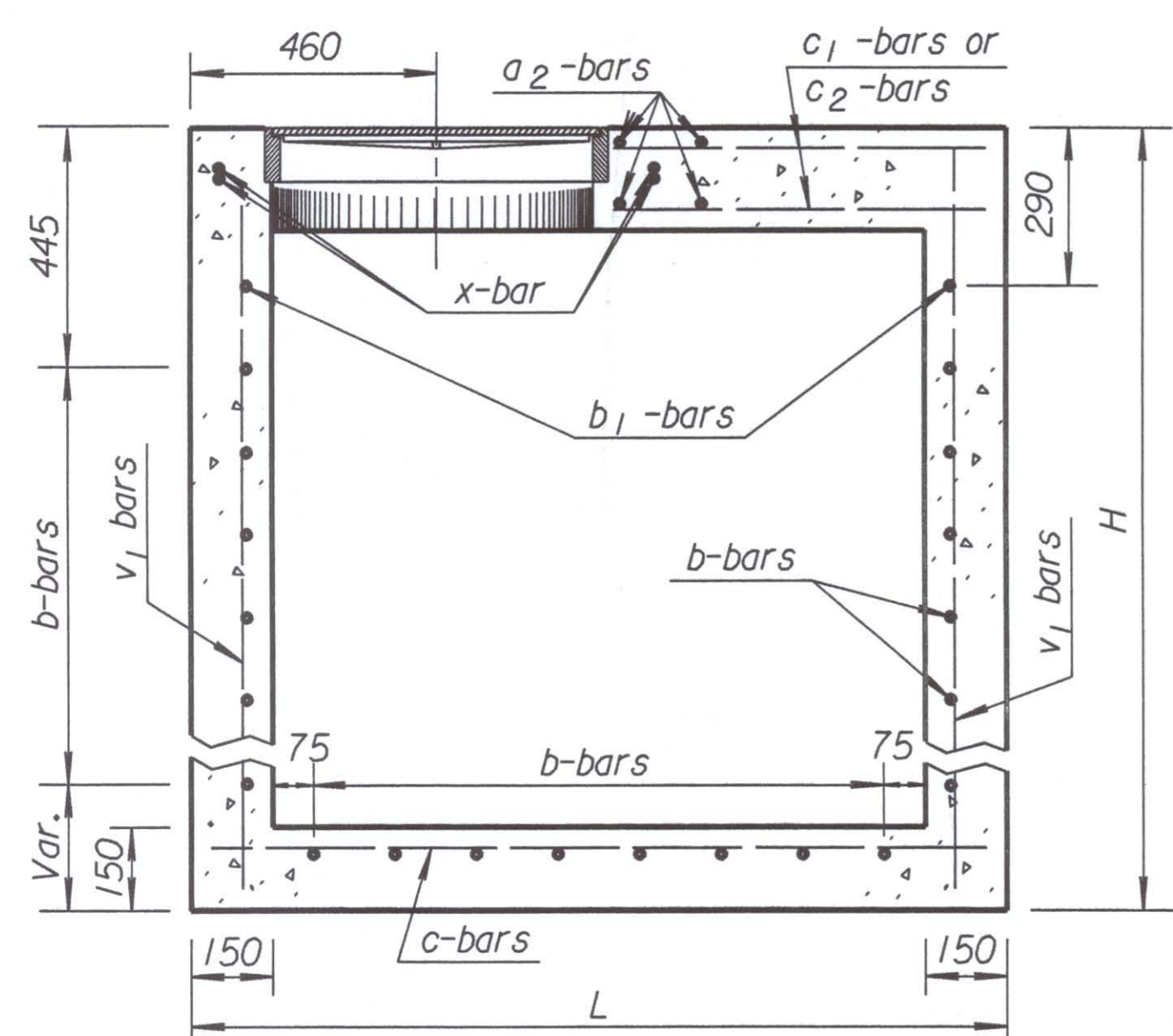


FHWA REGION NO.	STATE	PROJECT NO.	YEAR	SHEET NO.	TOTAL SHEETS
7	KANSAS	54-87 K-6657-01	2002	138	1122

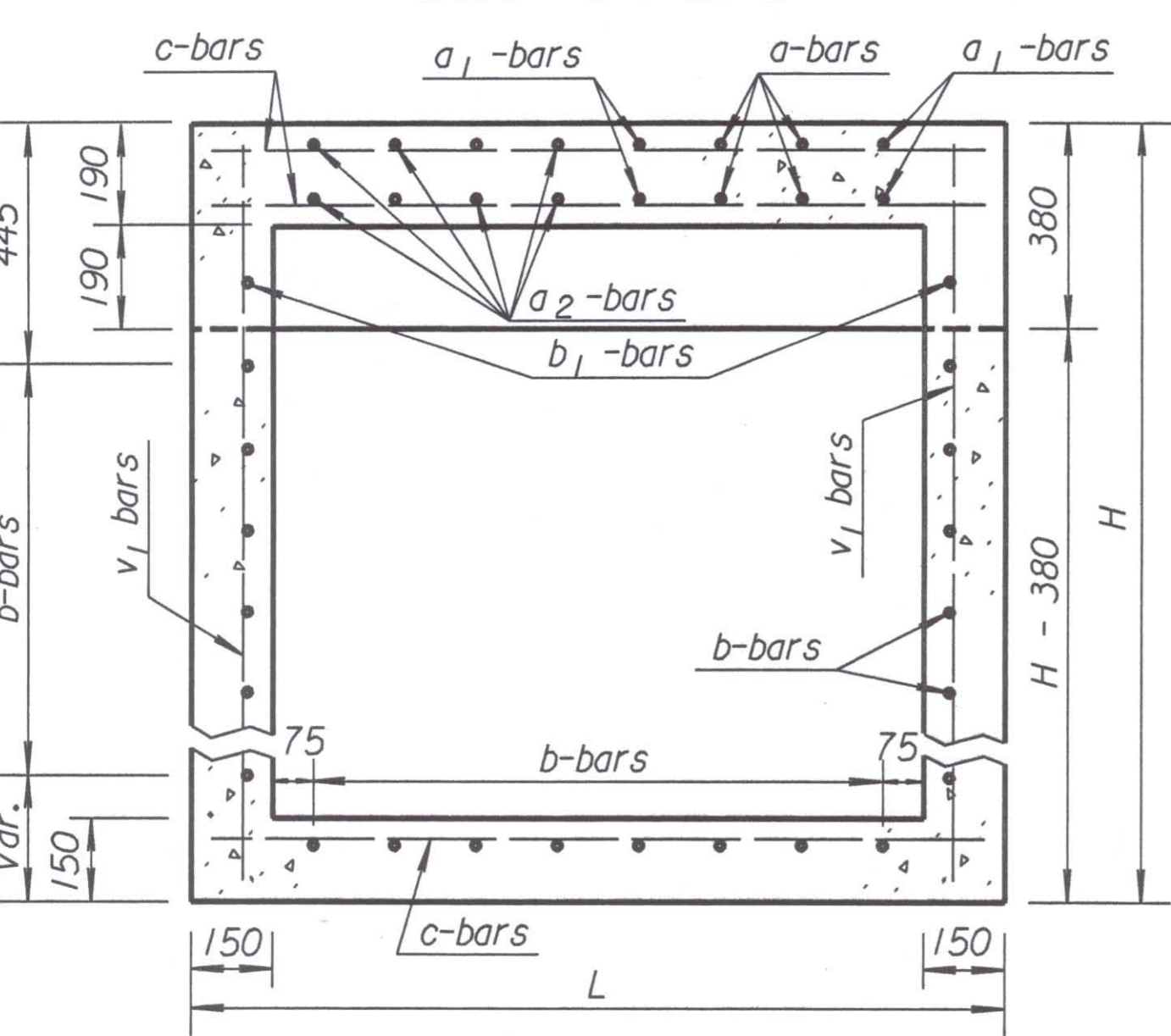


SECTION A-A

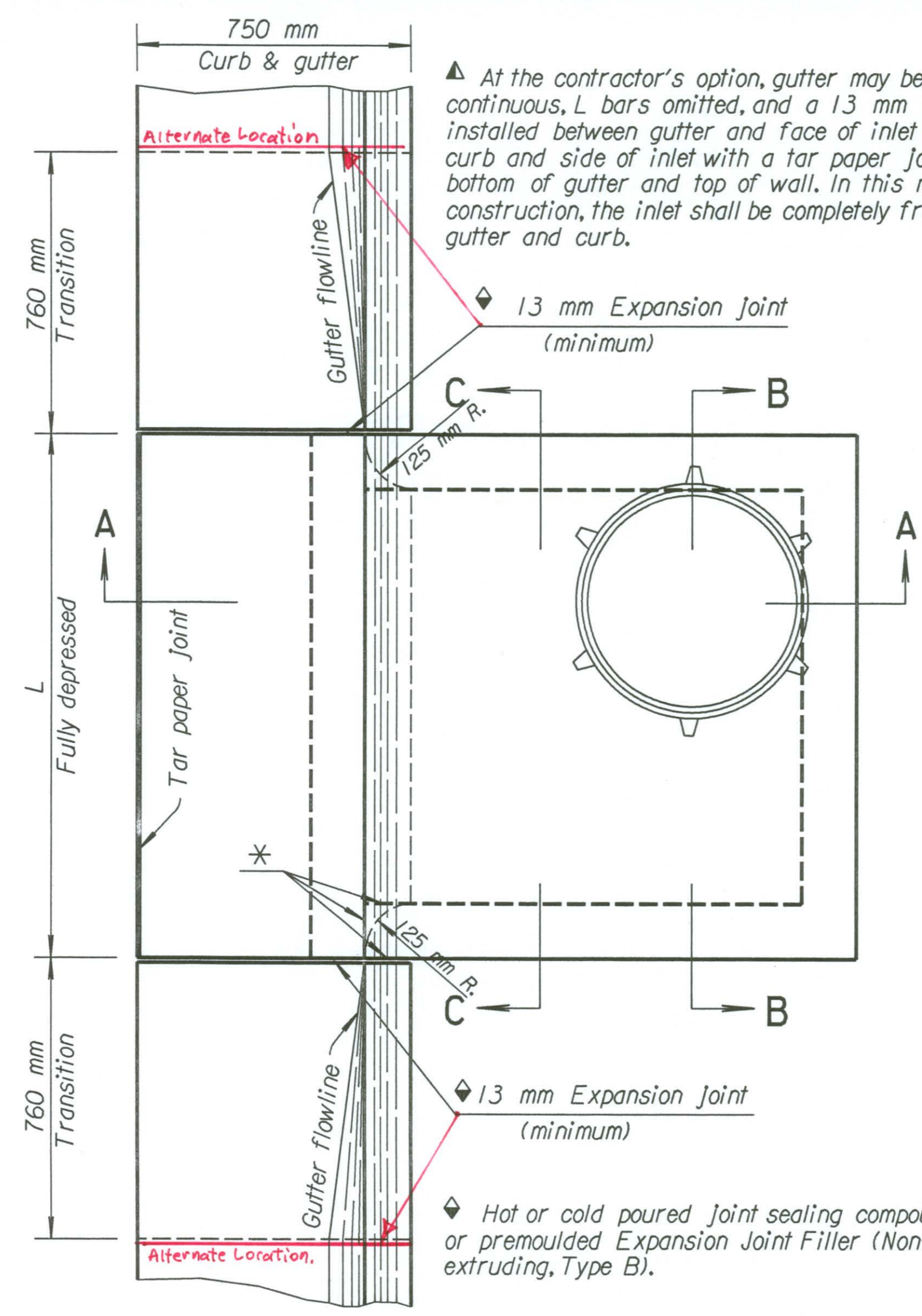
Steps shall be uniformly spaced. Spacing shall be 300 mm min. and 420 mm max. DELETE NOTE



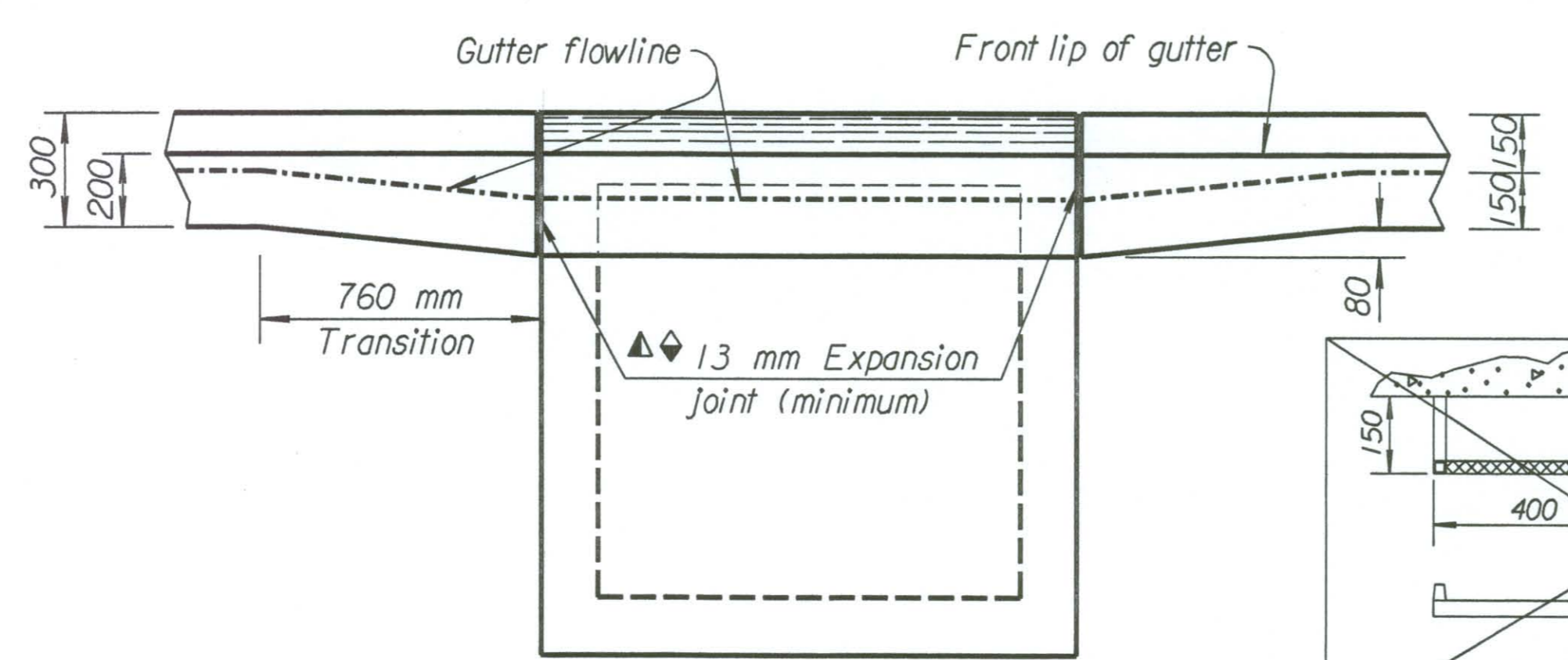
SECTION B-B



SECTION C-C

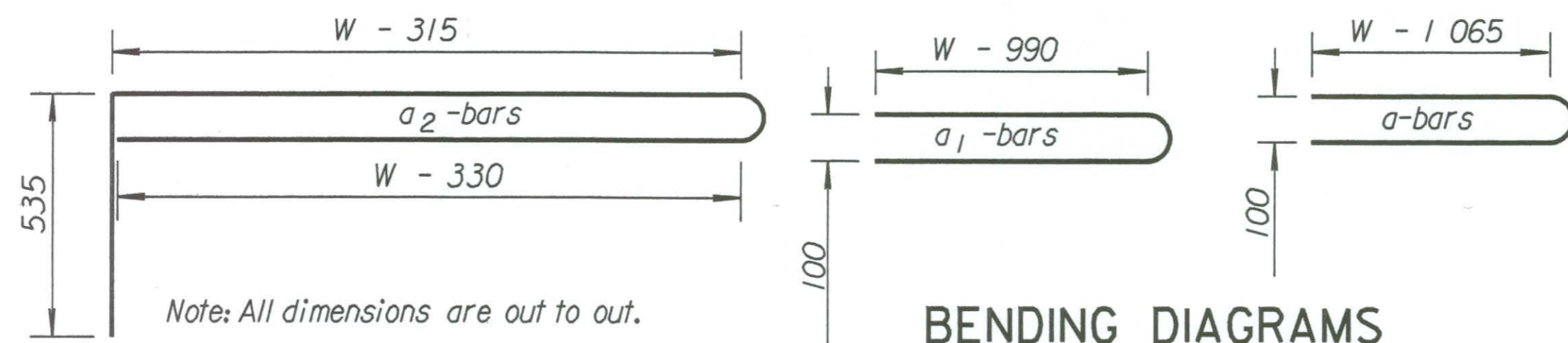


PLAN

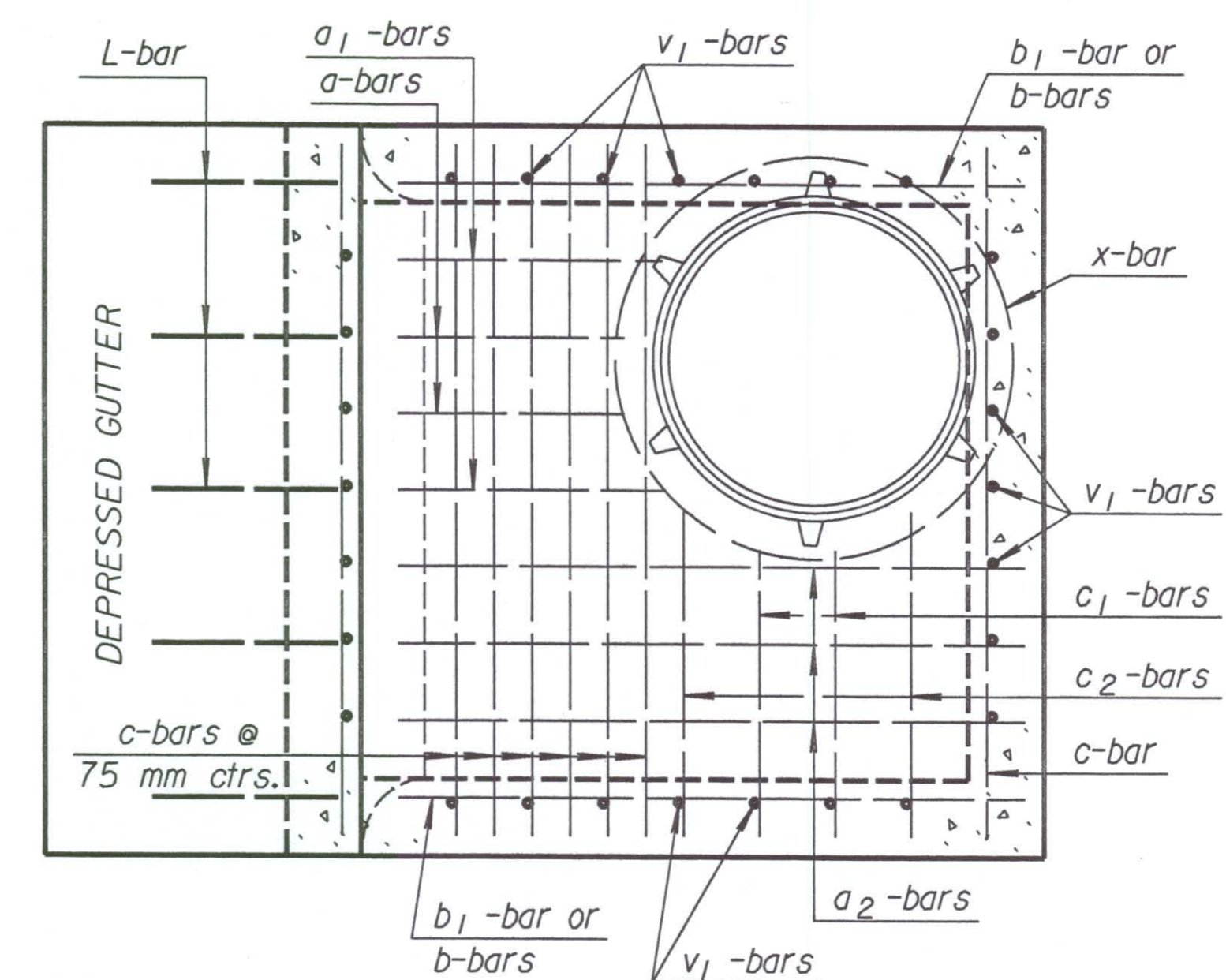


ELEVATION

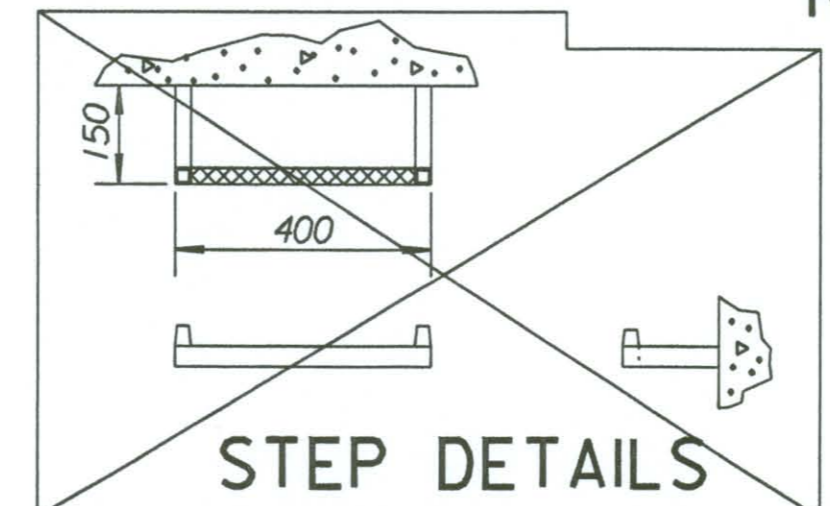
Note: Transition gutter from normal depth of 150 mm to 235 mm at inlet in 760 mm. Curb and Gutter sections shall be shaped as shown where required by the installation of curb inlets. This work will be subsidiary to other bid items.



BENDING DIAGRAMS



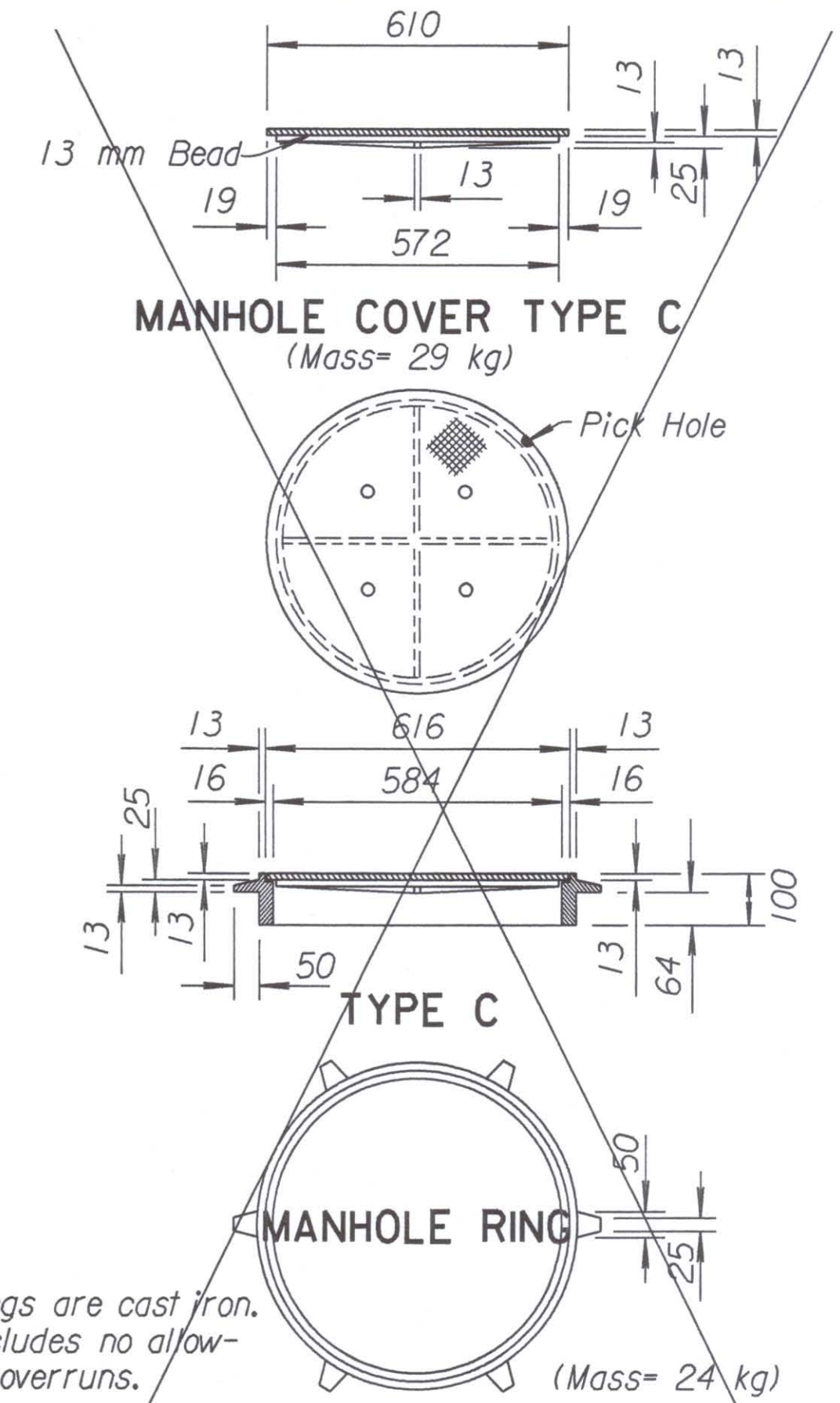
Reinforcing Steel Top View



STEP DETAILS

Note: Steps shall not be installed in inlets or manholes on this project.

NOTE: All manhole castings are cast iron. Mass of castings includes no allowance for fillets and overruns.



\* LIGHT TYPE MANHOLE COVER & RING

\* Rings with four equally spaced lugs will be permitted.

NO.	DATE	REVISIONS	BY	APP'D
3				
2	12-16-97	Revised step spacing	R.J.S.	J.O.B.
1	1-27-97	Revised Rebar Designation	R.J.S.	J.O.B.

KANSAS DEPARTMENT OF TRANSPORTATION

TYPE 22 CURB INLET

DESIGNED	DATE	APP'D.	QUANTITIES	TRACED
	2-2-98	James O. Brewer		Bowser
DESIGN CK.	DETAIL CK.	QUAN. CK.	TRACE CK.	Seltz

RD748-SI

Note: Reinforcing steel for L bars is not included in the steel quantity and is subsidiary to the other inlet items.

GENERAL NOTES

Use Class A Concrete throughout. All exposed edges shall be finished with an edging tool. At the contractor's option Class A Concrete (AE) or mix used in concrete pavement may be used throughout. In general, pipes will enter and leave manhole at various positions. Where possible bend bars around pipes. Manhole opening and steps, where used, shall be placed to afford easy access to top of shaped invert. Top reinforcing bars to be adjusted accordingly.

All castings shall be gray iron and shall comply with the KDOT Standard Specifications. No deductions in concrete quantities shall be made for pipe openings or additions to concrete quantities shall be made for shaping floor of manholes. When directed by the Engineer, the top of the inlet shall be sloped slightly to approximately fit the ground line or other conditions.

Dimensions and mass of cast iron as shown on this sheet are minimum. Larger dimensions and/or greater mass of cast iron may be used.

Steps shall be installed in all storm sewer inlets when specified in the plans or when "H" is equal to or greater than 1.8 m. Steps shall comply with the KDOT Standard Specification. No reduction in concrete quantities shall be made for pipe openings. When directed by the Engineer, a small opening in the back of the inlet shall be provided in order to drain a low area. Reinforcing bars shall extend through the opening. No reduction in concrete quantities will be made for this opening. No addition in concrete quantities shall be made for shaping floor of inlet. No reduction in pay length of curb, gutter, or curb & gutter will be made through the inlet area. The mass of castings includes no allowance for fillets and overruns. Curb and Gutter sections shall be shaped as shown where required by the installation of curb inlets. This work shall be subsidiary to other bid items. See sheet entitled "Reinforcing Steel for Inlets and Manholes" for details and quantities. For additional notes and details on Light Type Cast Iron Manhole Cover and Ring Type C, and Cast Iron Steps, see Standard Drawing RD730 SI "Reinforced Concrete Manhole". All reinforcing steel shall be #13 at 150 mm centers except where noted. Minimum clear distance to reinforcement shall be 40 mm.

Drawn By: \$USER\$ Plotted: svb 8-13-2001 File: i:\1997\97362\sws\standards\rd748si.dgn