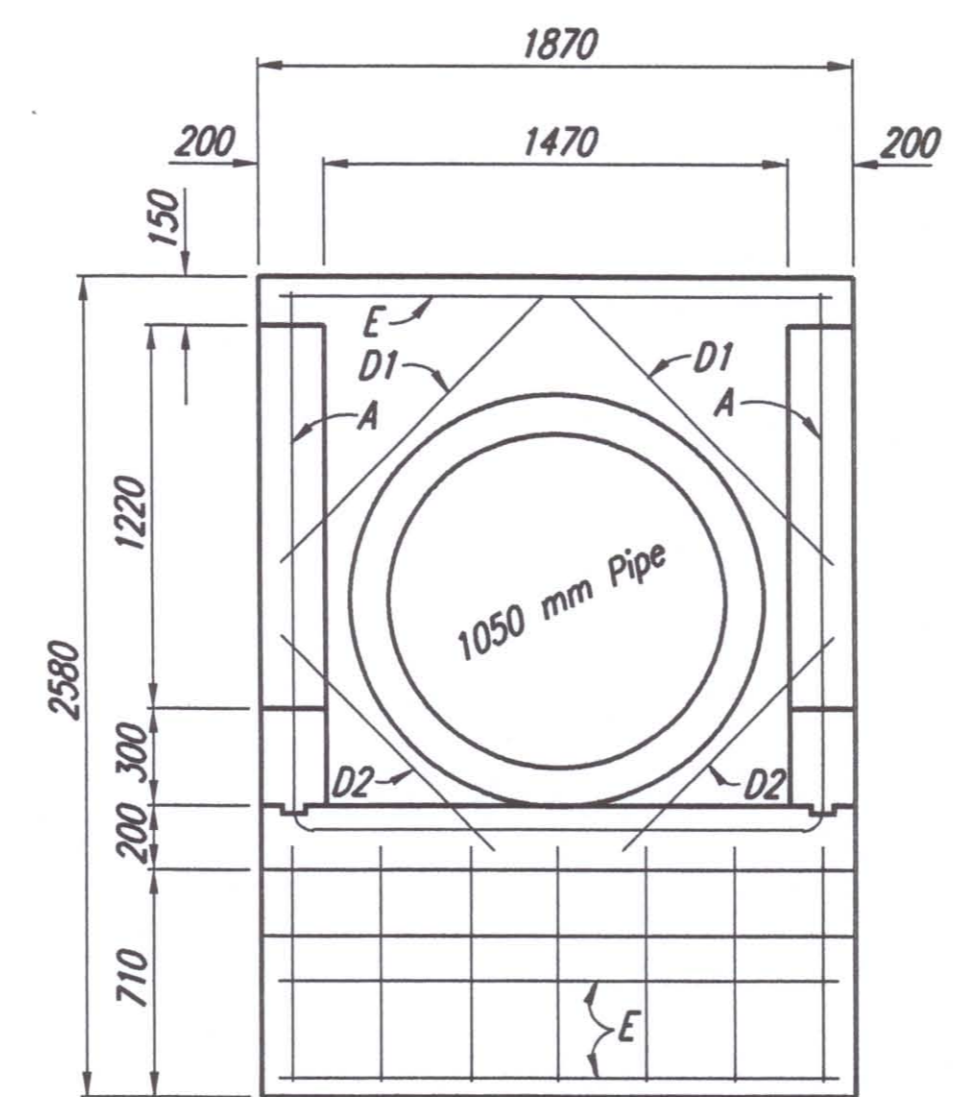
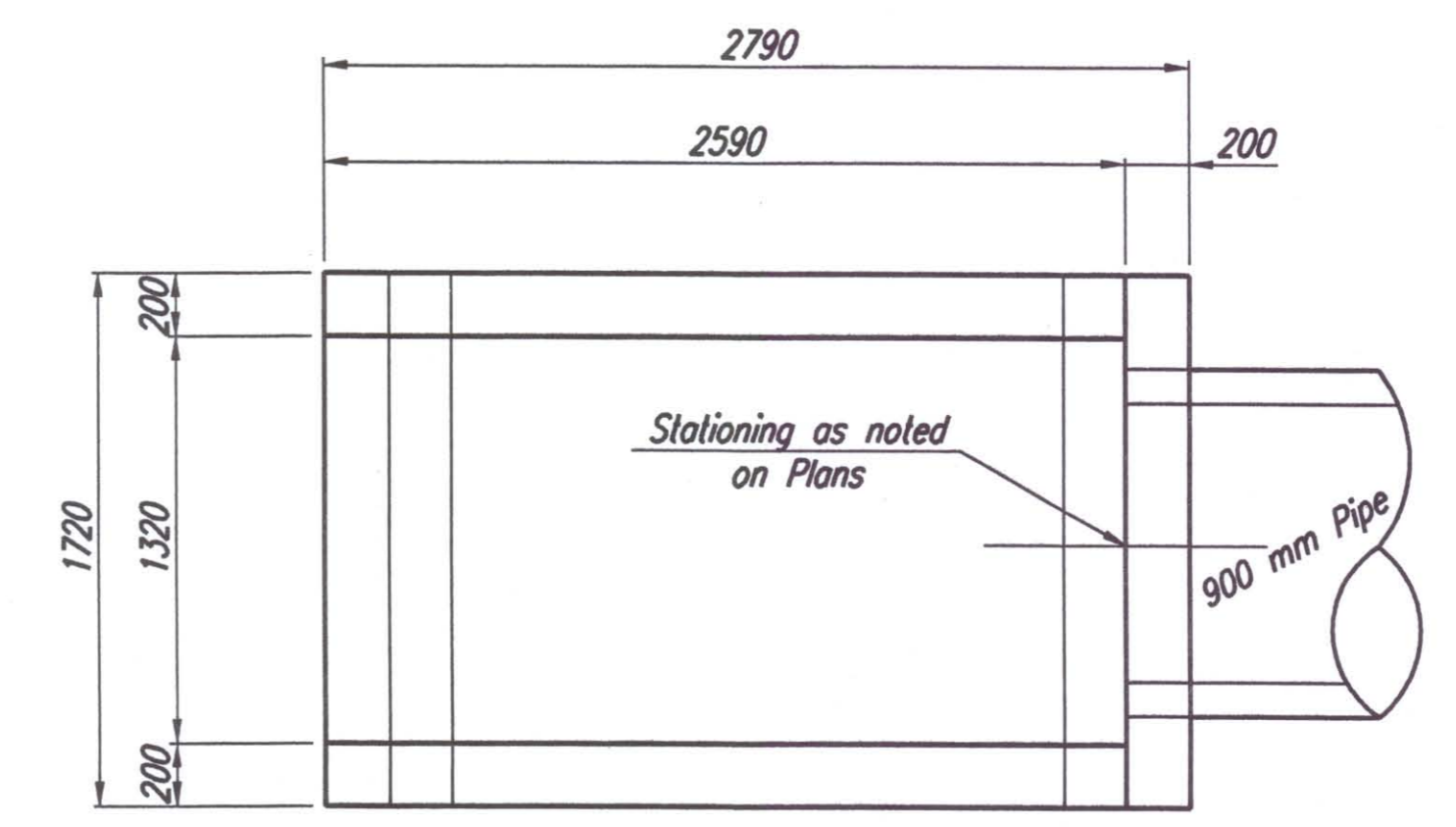


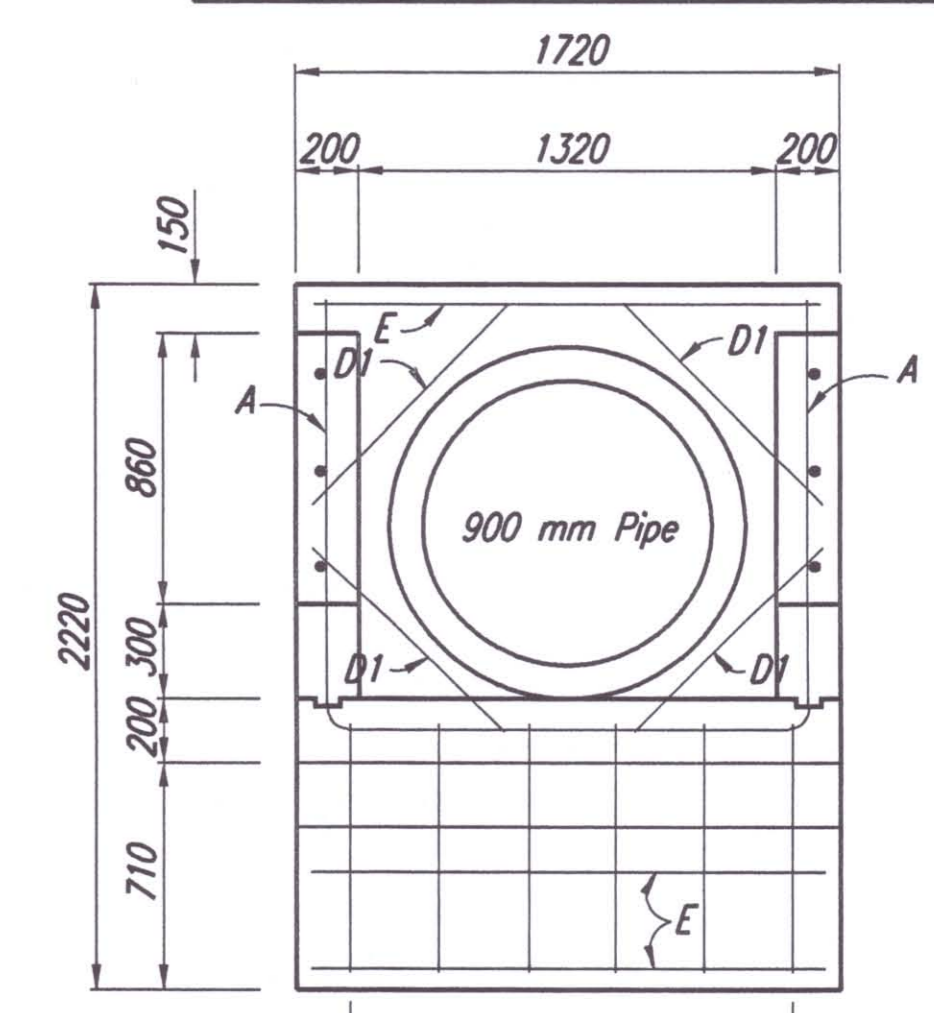
PLAN



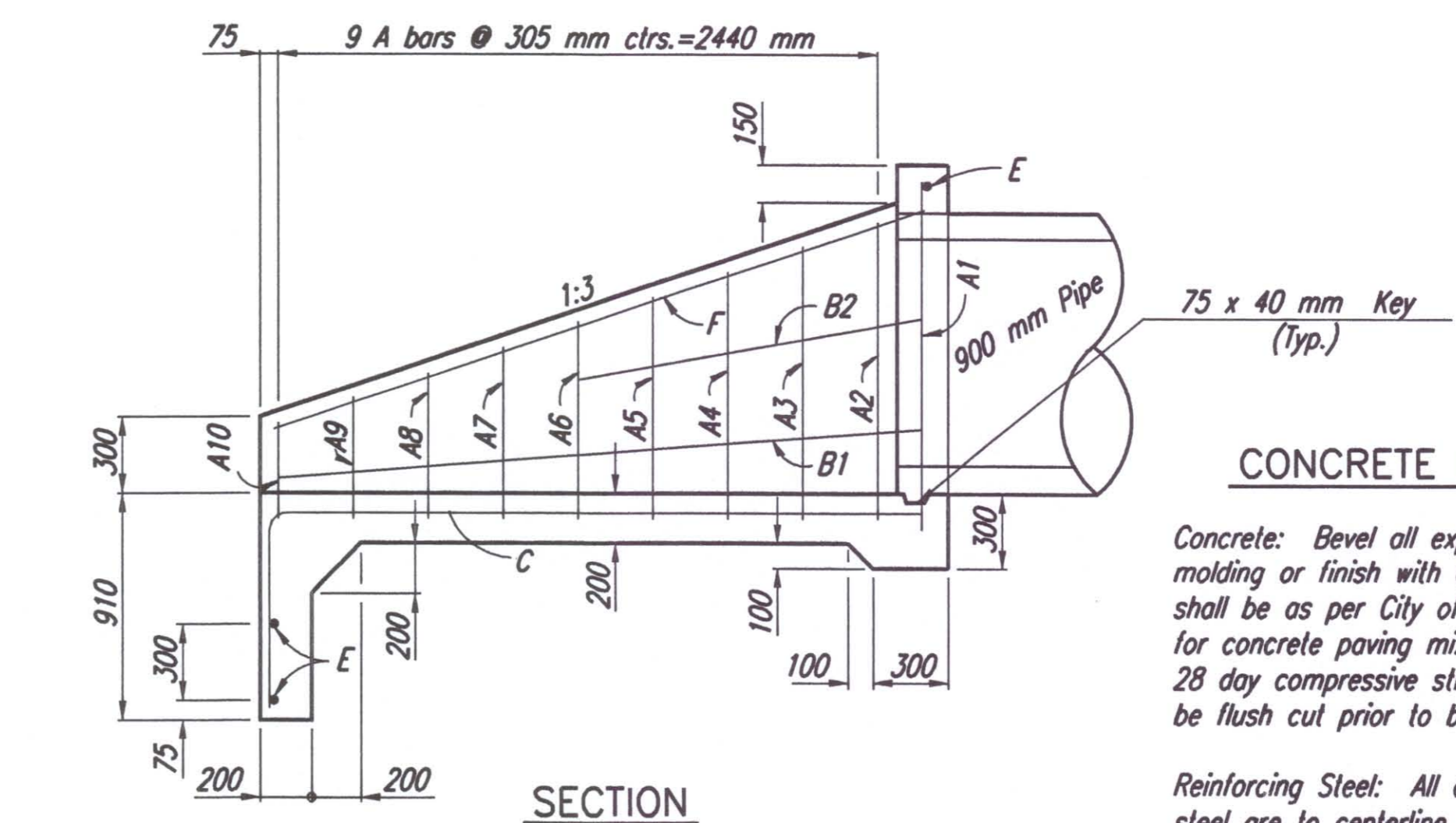
FRONT



PLAN



FRONT



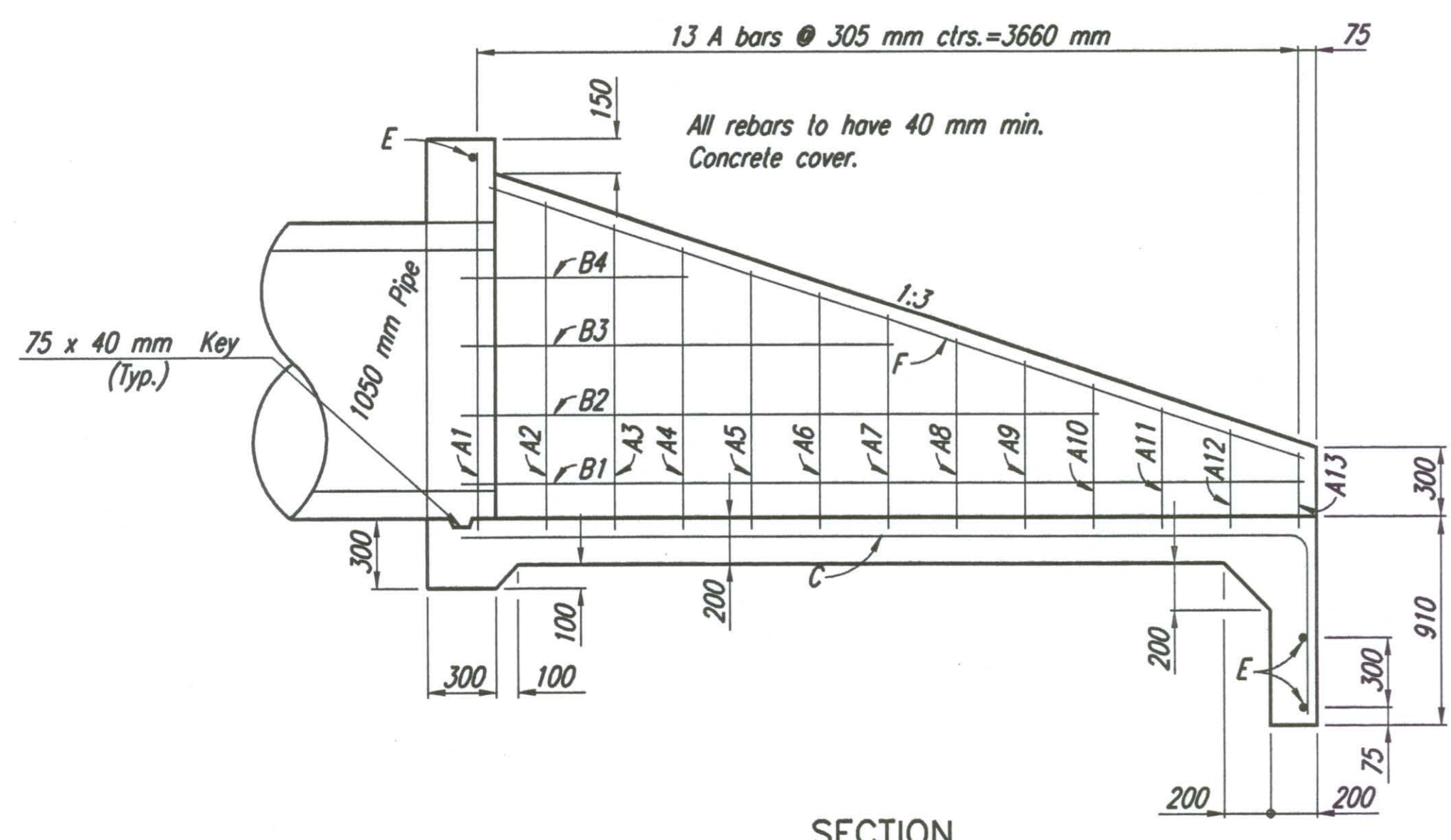
SECTION

CONCRETE HEADWALL NOTES

Concrete: Bevel all exposed edges with a 75 mm triangular molding or finish with an approved edging tool. Concrete shall be as per City of Wichita Standard Specifications for concrete paving mix except that it shall have a minimum 28 day compressive strength of 27.58 MPa. All pipes shall be flush cut prior to being cast into the headwall.

Reinforcing Steel: All dimensions relative to reinforcing steel are to centerline of bar unless otherwise noted. All reinforcing steel shall conform to A.S.T.M. designation A615M Grade 420 and shall be epoxy coated. All clearances shall be 50 mm unless other noted.

Payment: A deduction in concrete quantities has been made for the pipe opening. The "Headwalls (900 mm)(Reinforced Concrete)", and "Headwall (1050 mm)(Reinforced Concrete)", shall be paid for at the unit price bid per each in place including concrete, reinforcing steel, excavation and all other miscellaneous materials, labor, tools, equipment, and incidentals necessary to complete the work. Quantities shown are for information only.



SECTION

RE-BAR SCHEDULE [≠]				
Mark	Shape	No.	Length	Mass
A1	□	1	5040	5.01
A2	□	1	4580	4.55
A3	□	1	4380	4.35
A4	□	1	4160	4.14
A5	□	1	3960	3.94
A6	□	1	3760	3.74
A7	□	1	3560	3.54
A8	□	1	3360	3.34
A9	□	1	3160	3.14
A10	□	1	2960	2.94
A11	□	1	2740	2.72
A12	□	1	2540	2.52
A13	□	1	2340	2.33
B1	—	2	3840	7.63
B2	—	2	2920	5.80
B3	—	2	1700	3.38
B4	—	2	1090	2.17
C	□	7	4570	31.80
D1	—	2	1120	2.23
D2	—	2	710	1.41
E	—	3	1730	5.16
F	—	2	3960	7.87
Total Rebars			114	Kg
Concrete			3.72	m ³

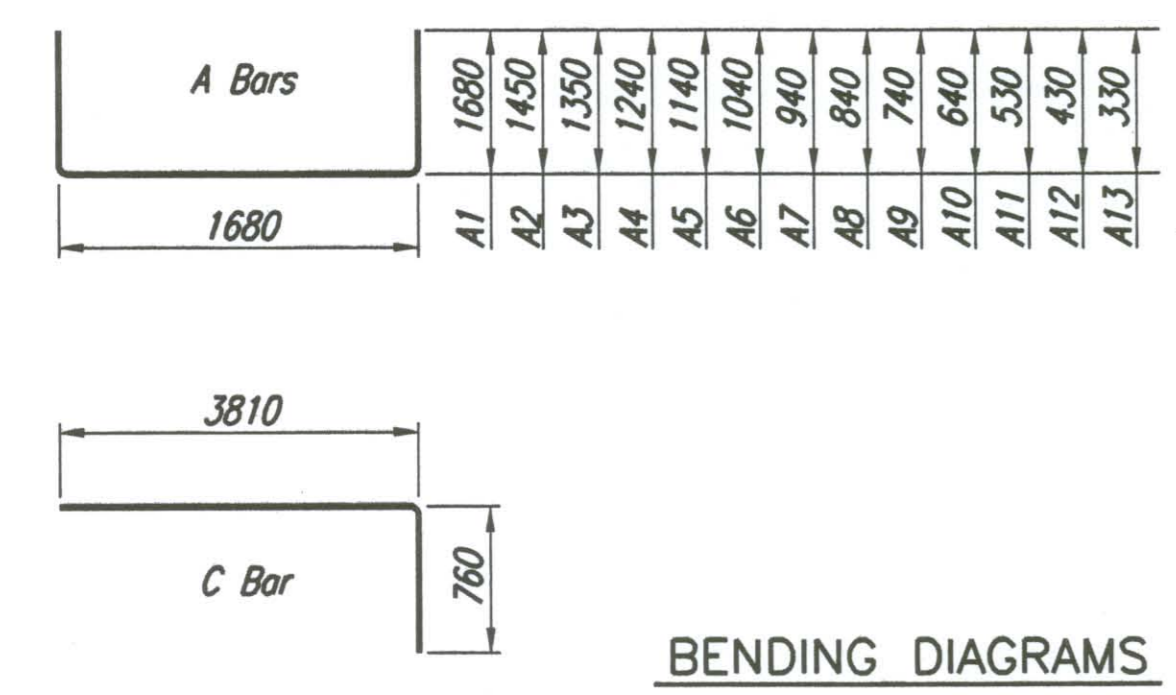
All Concrete Reinforcement to be #13 bars.

≠ For Information Only

RE-BAR SCHEDULE [≠]				
Mark	Shape	No.	Length	Mass
A1	□	1	4360	4.33
A2	□	1	3900	3.88
A3	□	1	3700	3.68
A4	□	1	3500	3.48
A5	□	1	3300	3.28
A6	□	1	3100	3.08
A7	□	1	2900	2.88
A8	□	1	2680	2.66
A9	□	1	2480	2.47
A10	□	1	2280	2.27
B1	—	2	2640	5.25
B2	—	2	1420	2.82
C	□	6	3380	20.16
D1	—	4	910	3.62
E	—	3	1570	4.68
F	—	2	2740	5.45
Total Rebars			74	Kg
Concrete			2.34	m ³

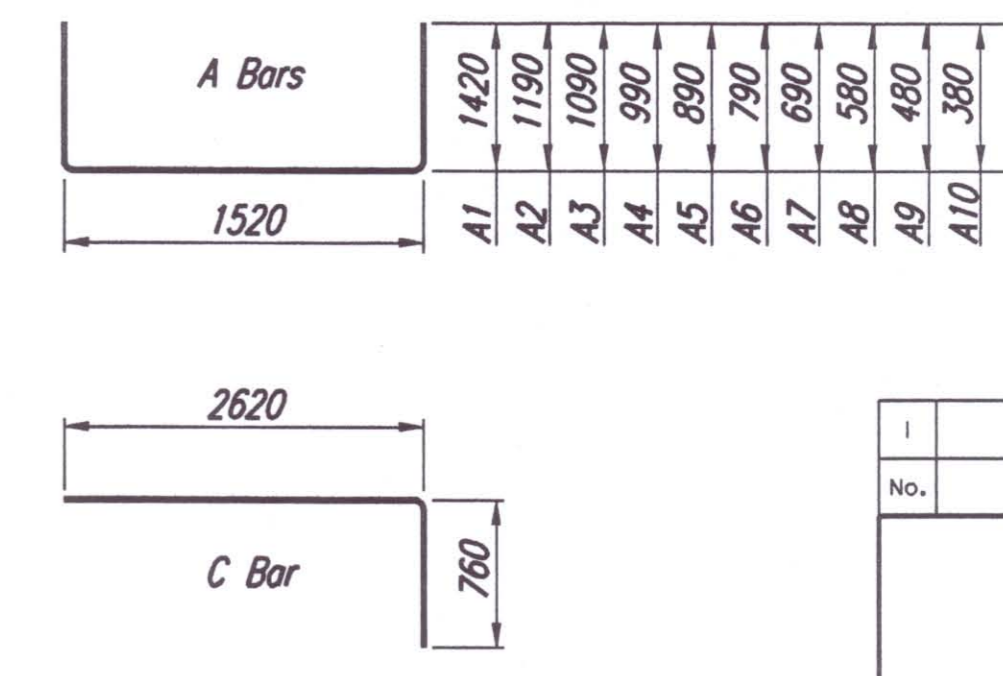
All Concrete Reinforcement to be #13 bars.

≠ For Information Only



BENDING DIAGRAMS

1050 mm HEADWALL



BENDING DIAGRAMS

900 mm HEADWALL

No.	Revisions	By	Date
CITY OF WICHITA			
900 mm AND 1050 mm HEADWALL DETAILS			
SEDGWICK COUNTY			
Professional Engineering Consultants, P.A.			
<small>303 S. TOPEKA • WICHITA, KANSAS 67202 316-262-2691 • FAX 316-262-3003</small>			
Designed by	BER, GDD	Checked by	
Drawn by	BJS, GDR	Date	Apr 11, 2002
		Job No.	97362