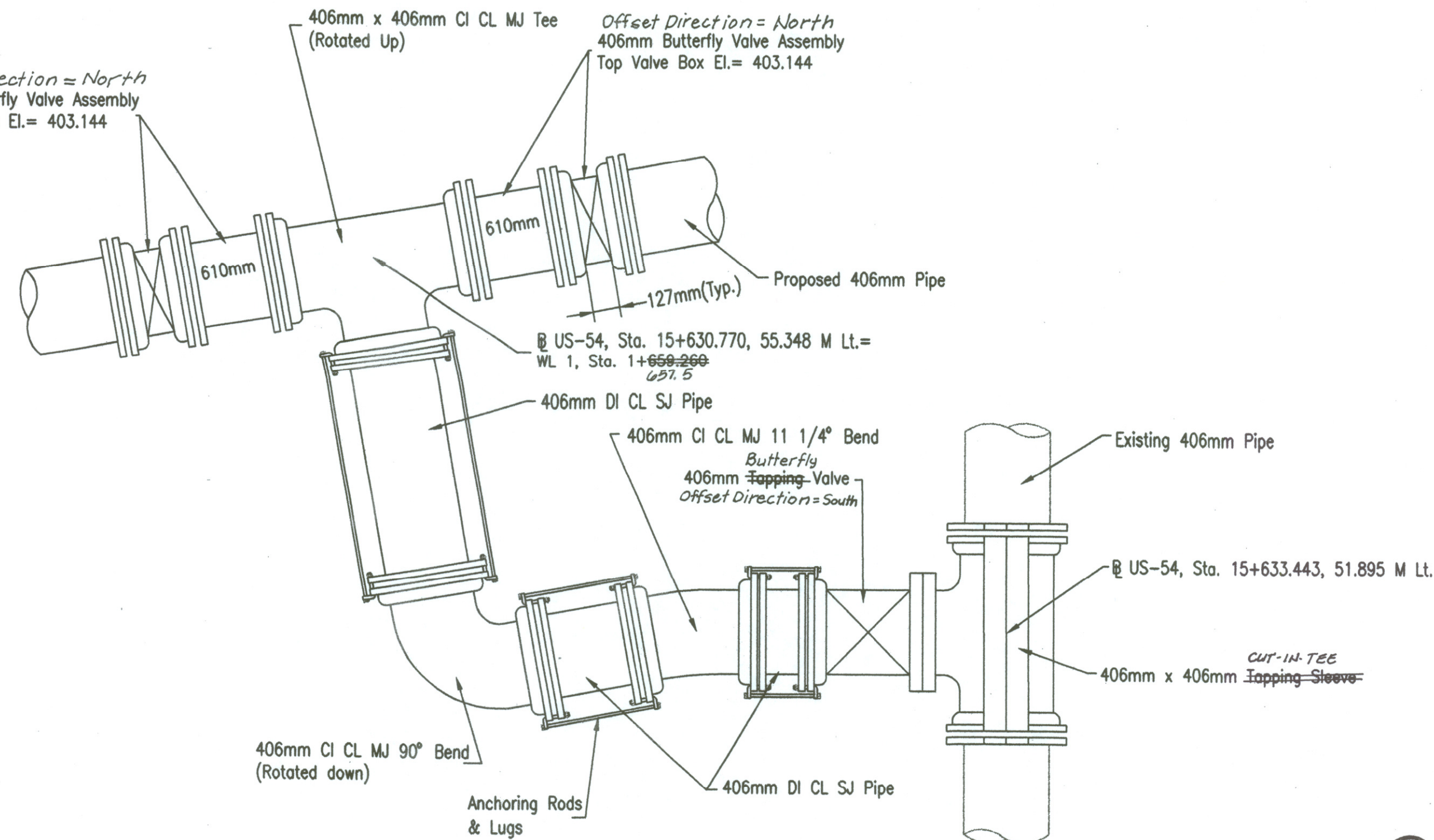


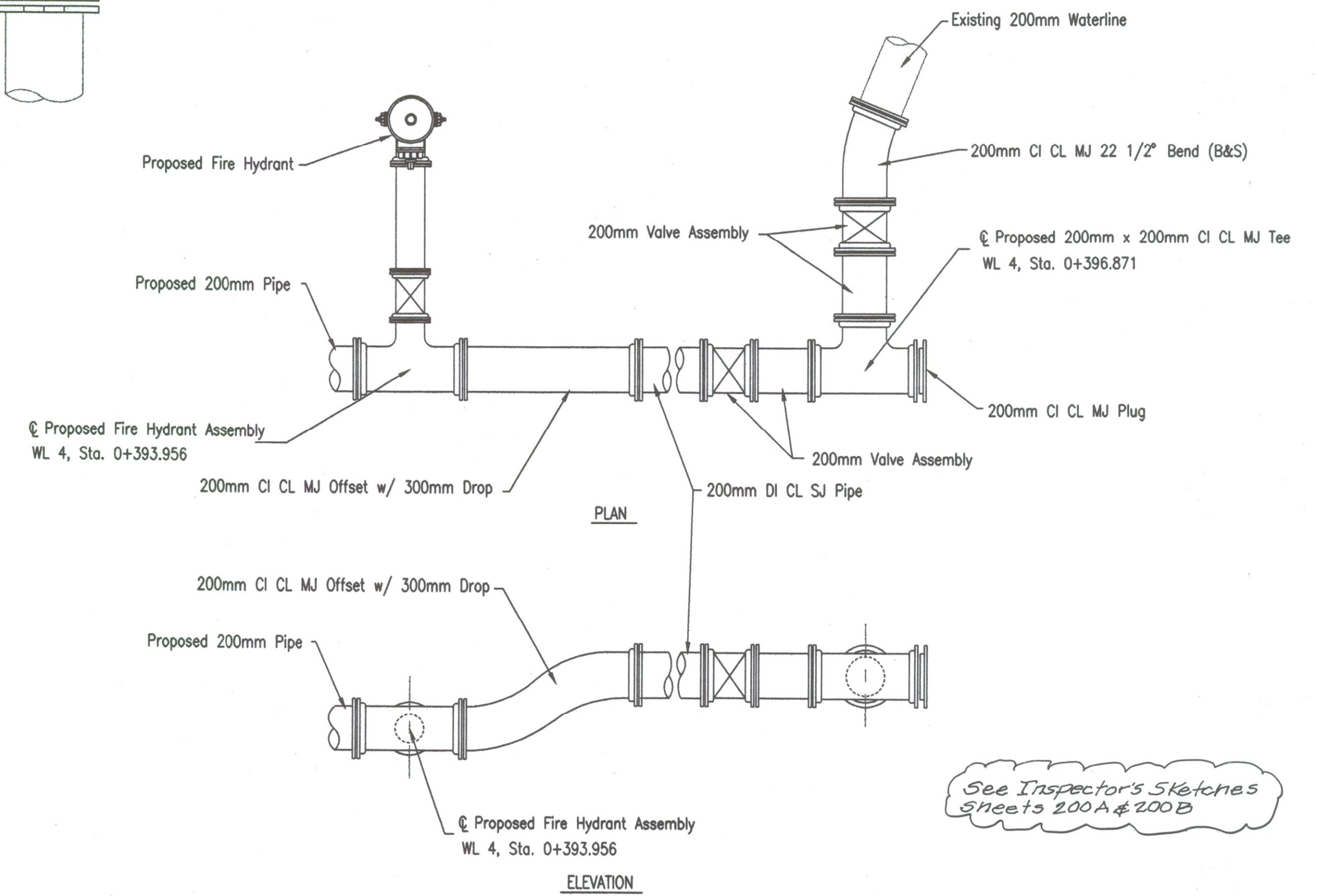
CONNECTION DETAIL TO EXISTING SERVICE OR MAIN

EXISTING SERVICE OR MAIN CONNECTION SCHEDULE						
@ STA. & OFFSET	WL STA.	SIZE	'A'	'B'	'C'	'D'
LINE NO. 2						
16+575.940, 43.529 M Rt.	0+244.135	200mm	1.7M	1.5M	0.528M	1.588M
17+743.171, 39.155 M Rt.	1+413.624	300mm	1.8M	2.2M	0.464M	2.249M
LINE NO. 6						
5+353.921, 13.441 M Lt.	0+057.128	200mm	1.7M	1.5M	0.576M	1.607M
5+404.318, 13.441 M Lt.	0+107.525	300mm	1.8M	1.5M	0.449M	1.566M



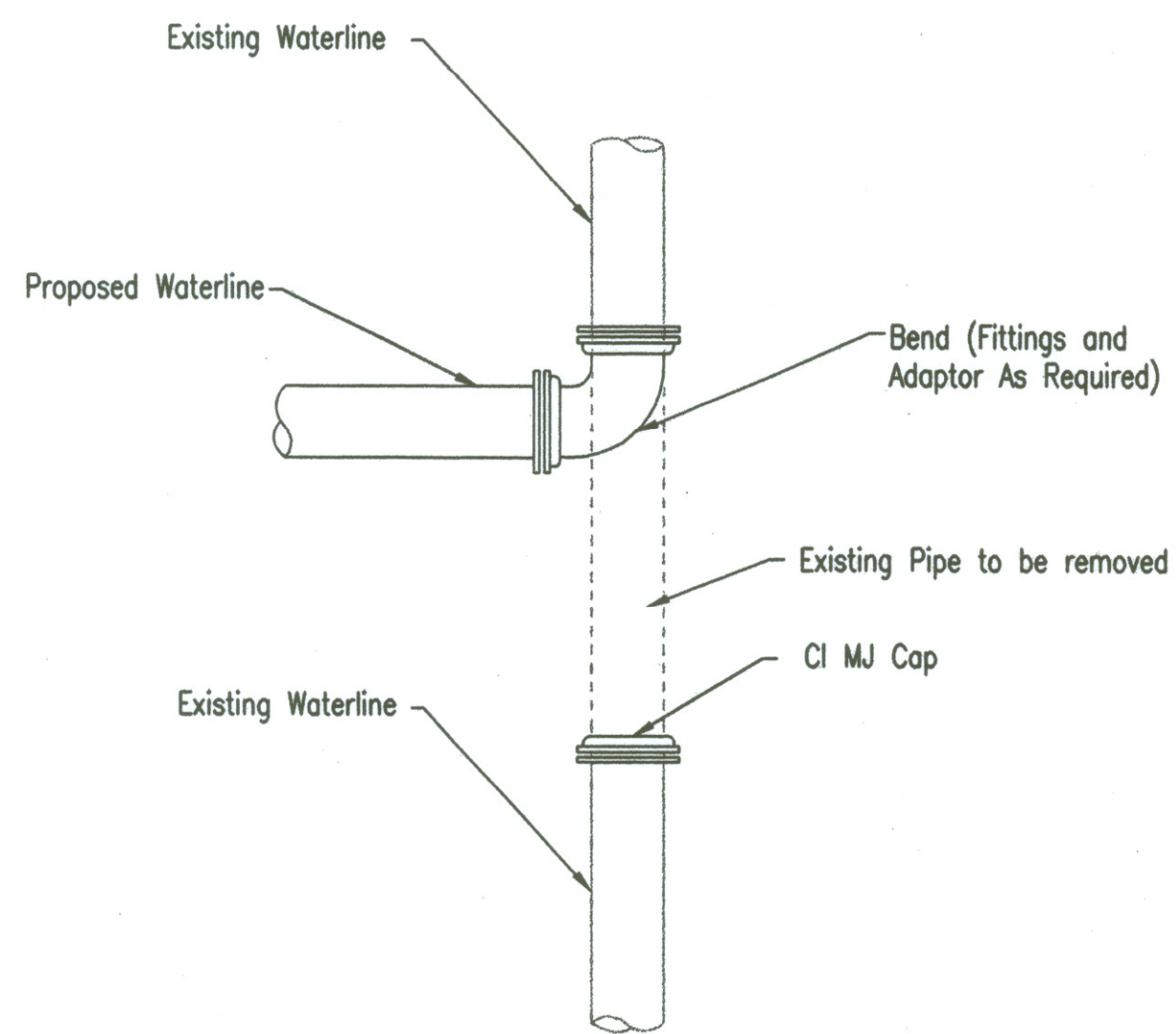
MAIZE ROAD CONNECTION DETAIL

@ US-54, Sta. 15+630.770, 55.348 M Lt. =
WL 1, Sta. 1+659.266
657.5



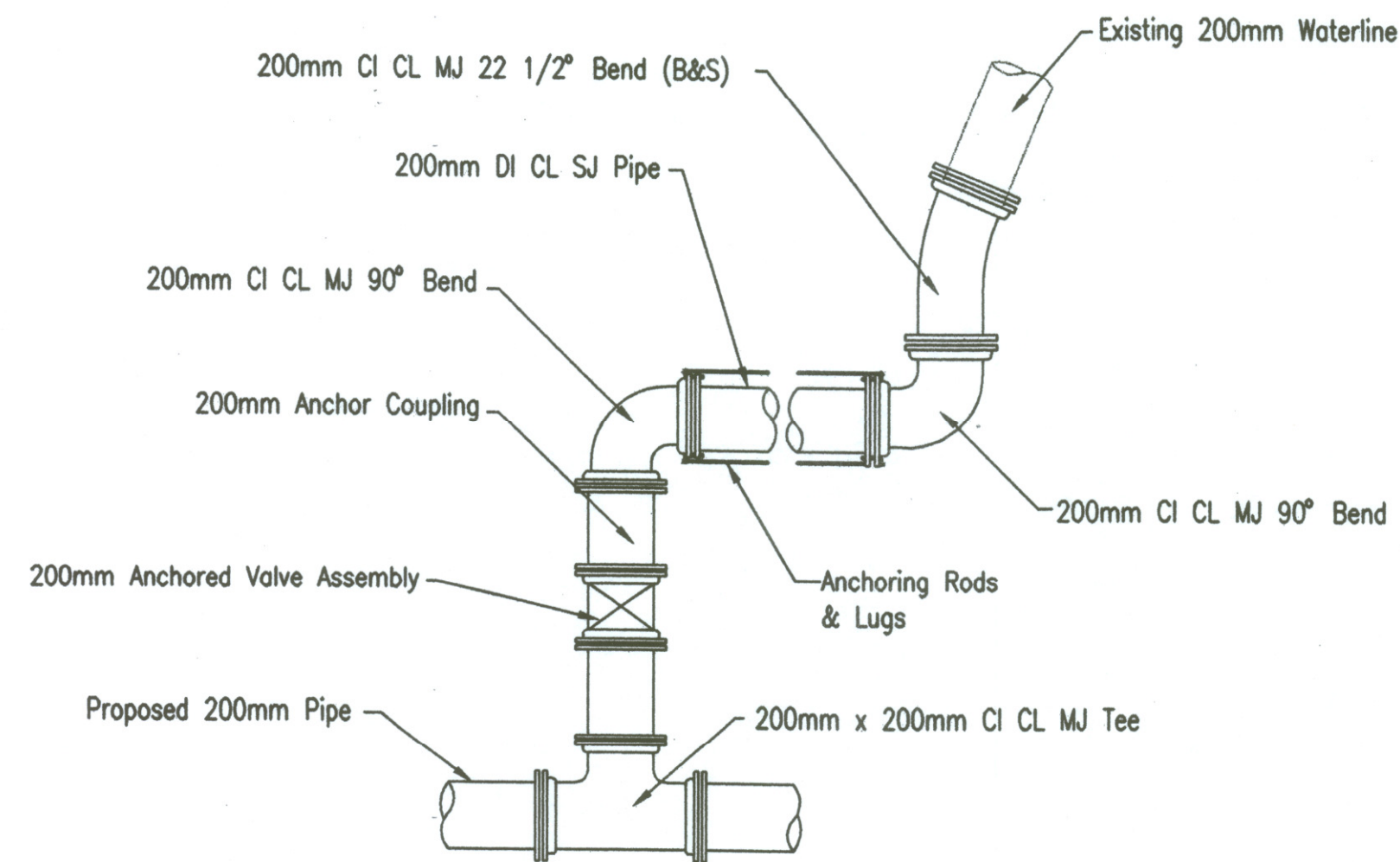
DUBON & WESTFIELD CONNECTION DETAIL

@ Dubon, Sta. 5+389.972, 5.308 M Lt. =
WL 4, Sta. 0+396.871



CONNECTION DETAILS

@ US-54, Sta. 16+444.758, 40.670 M Lt. =
WL 1, Sta. 2+462.445
@ U.S.-54, Sta. 18+172.338, 74.646 M Lt. =
WL 2, Sta. 1+936.666
@ US-54, Sta. 14+398.39, 120.250 M Rt. =
WL 9, Sta. 0+182.584



DUBON & KEITH CONNECTION DETAIL

@ Dubon, Sta. 5+201.627, 5.449 M Lt. =
WL 4, Sta. 0+207.003

See Inspector's Sketches
Sheets 200A & 200B

RECORD DRAWING
Larry D. Powell 10-18-04

1			
No.	Revisions	By	Date
CITY OF WICHITA, KANSAS			
PIPING DETAILS			
SEDGWICK COUNTY			
Professional Engineering Consultants, P.A. 303 S. TOPEKA • WICHITA, KANSAS 67202 316-262-2691 • FAX 316-262-3003			
Designed by	KJW	Checked by	
Drawn by	TDS, JGA	Date	APRIL, 2002
		Job No.	97362