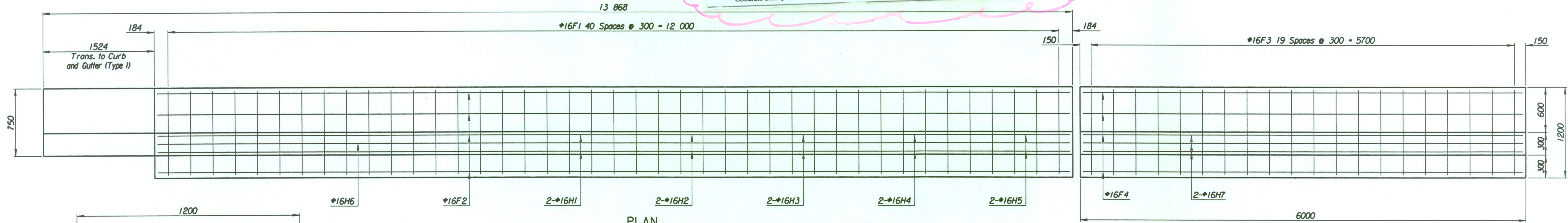


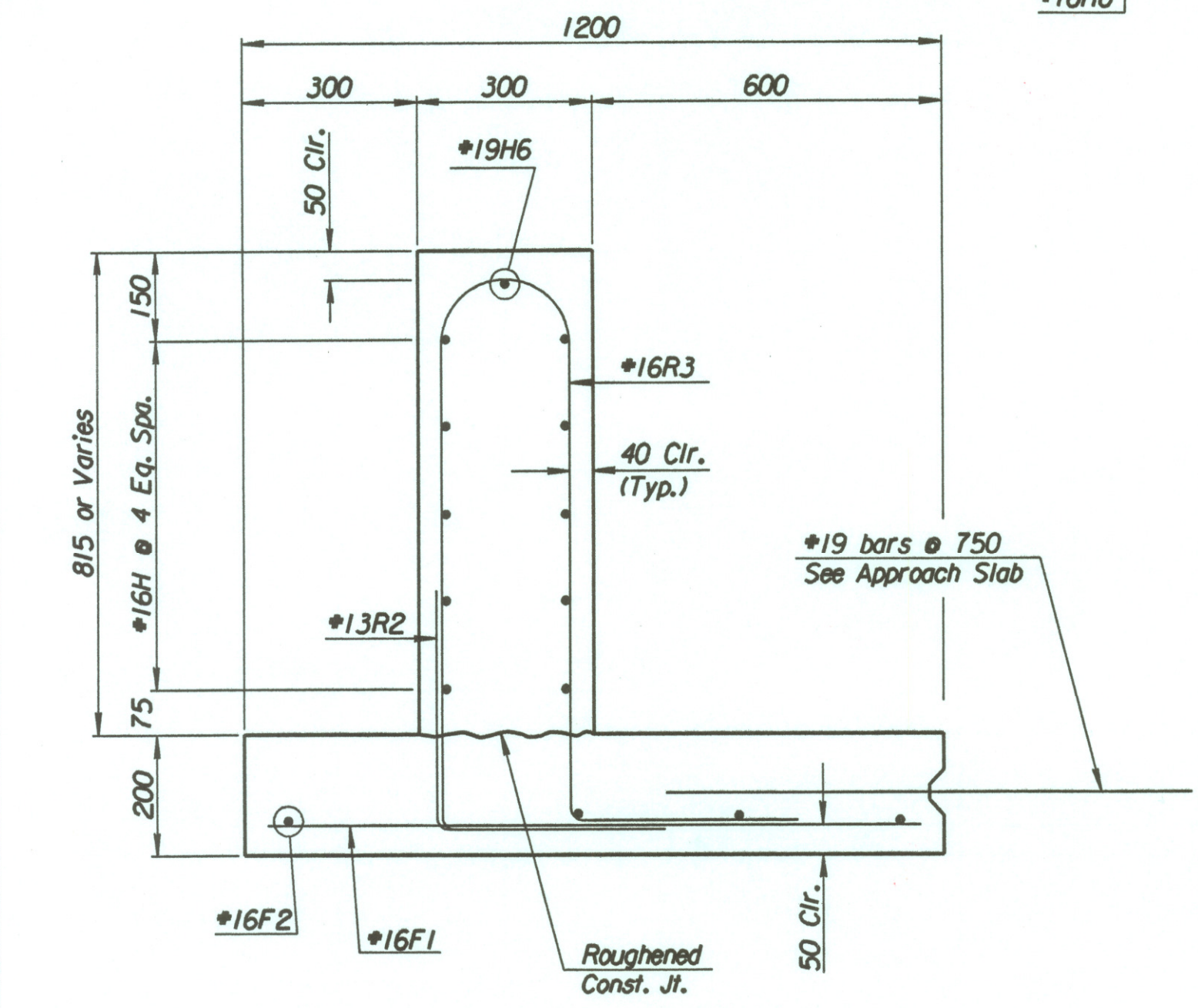
**ELEVATION**

**ADDENDUM #3:**  
 The following changes and additions shall be made to the plans and proposal. When this addendum conflicts with the specifications, plans, or special provisions, Addendum #1, or Addendum #2, **THIS ADDENDUM SHALL GOVERN.**  
 11. On Sheet No. 230, in the Note where it reads "Concrete Safety Barrier (Type V) (Special)" it shall read "Concrete Safety Barrier (Type V)" or (Type V)(Special)".

**NOTE: TYPE V and TYPE V(Special):**  
 - Top CSB longitudinal bar may be left uncut at contraction joints.  
 - Cut 50% of rebar at shoulder contraction joints in shoulder PCCP.  
 - See RFI #033 (3-13-03).

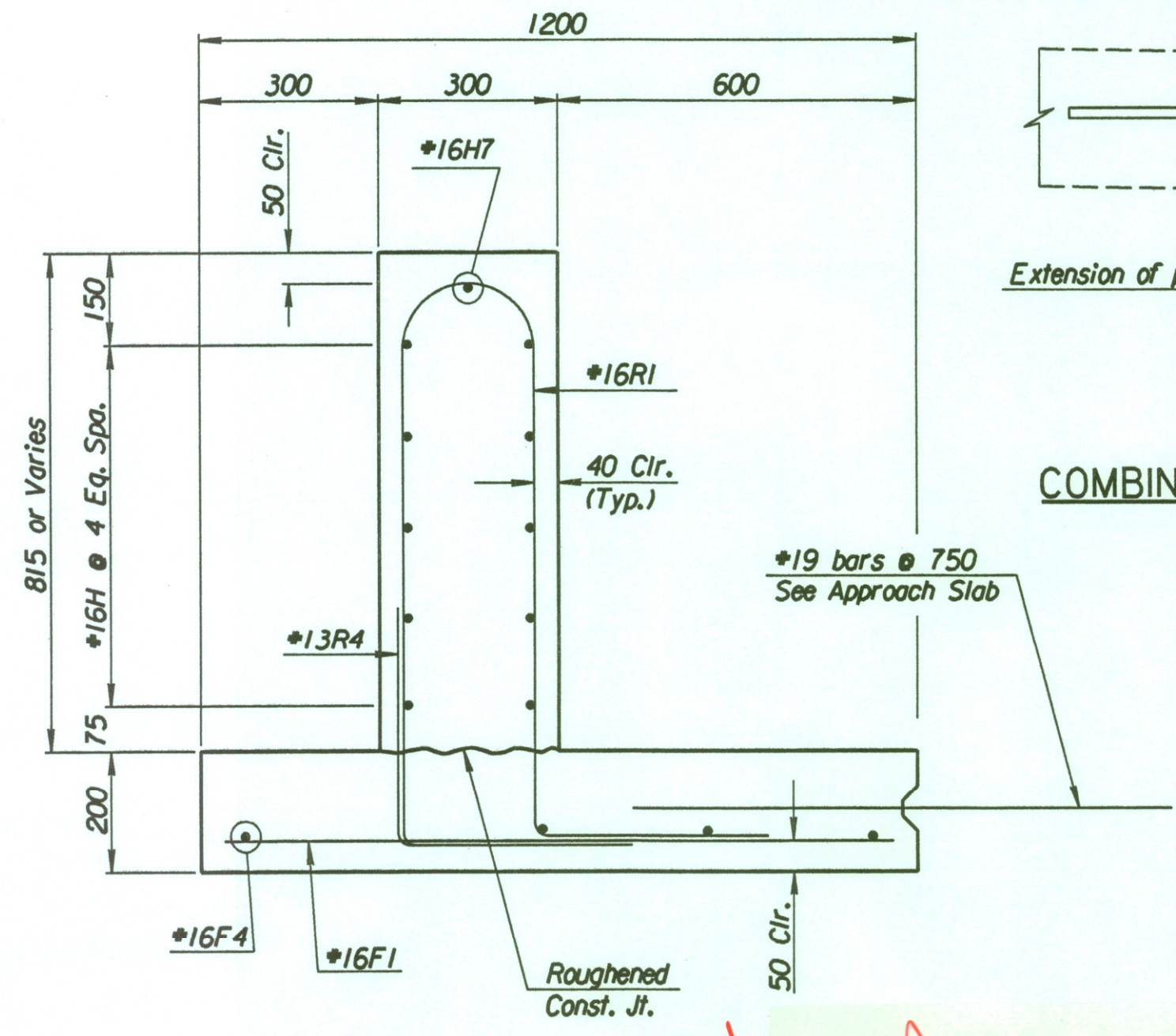


**PLAN**



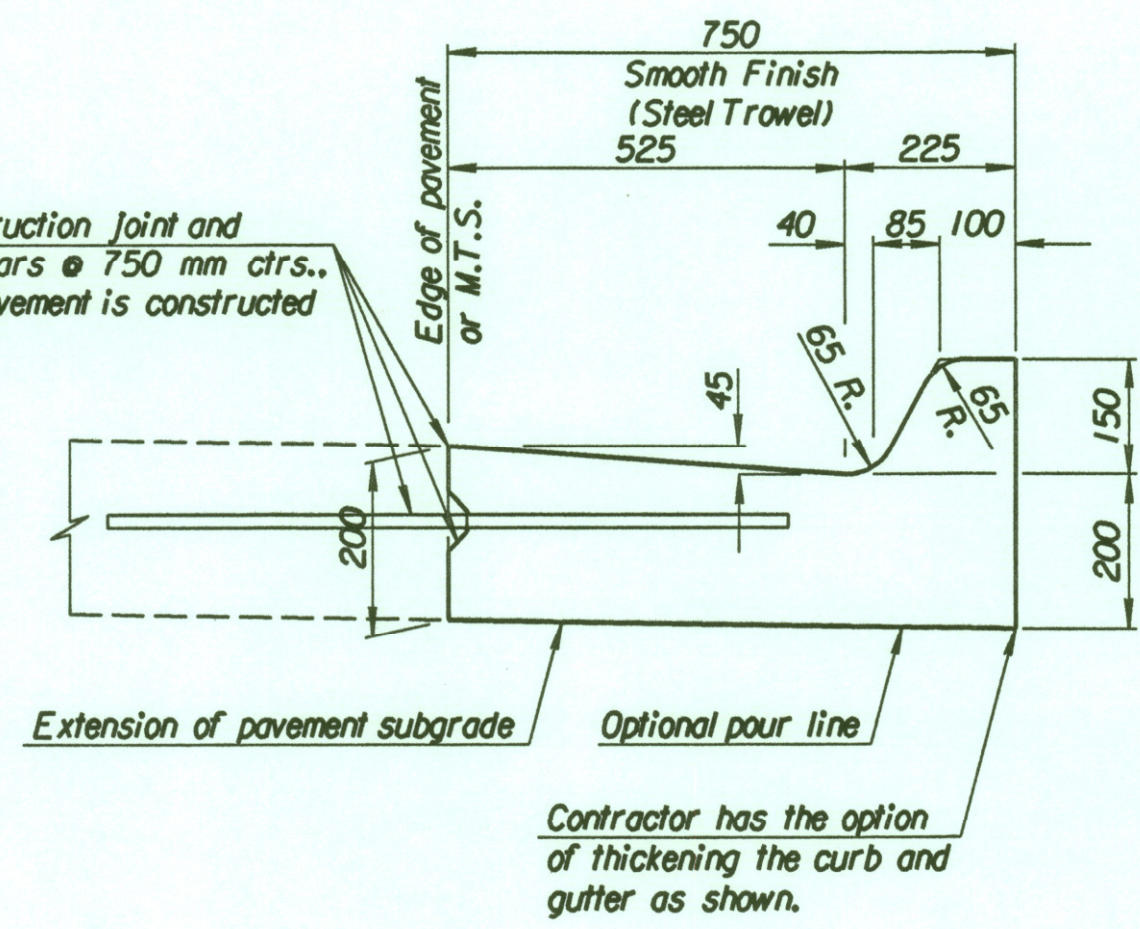
**SECTION A-A**  
(Type V)

**Note:**  
 The "Concrete Safety Barrier (Type V) (Special)" shall be constructed of Concrete (Grade 30N/AE) and A615M-96 Grade 420 Epoxy Coated Reinforcing Steel.  
 The Barrier shall be grooved with 20 mm Chamfer Strips on all exposed edges.  
 The bid item "Concrete Safety Barrier (Type V) (Special)" measured per linear meter as per plan, shall be full compensation for furnishing all material, equipment and labor necessary.



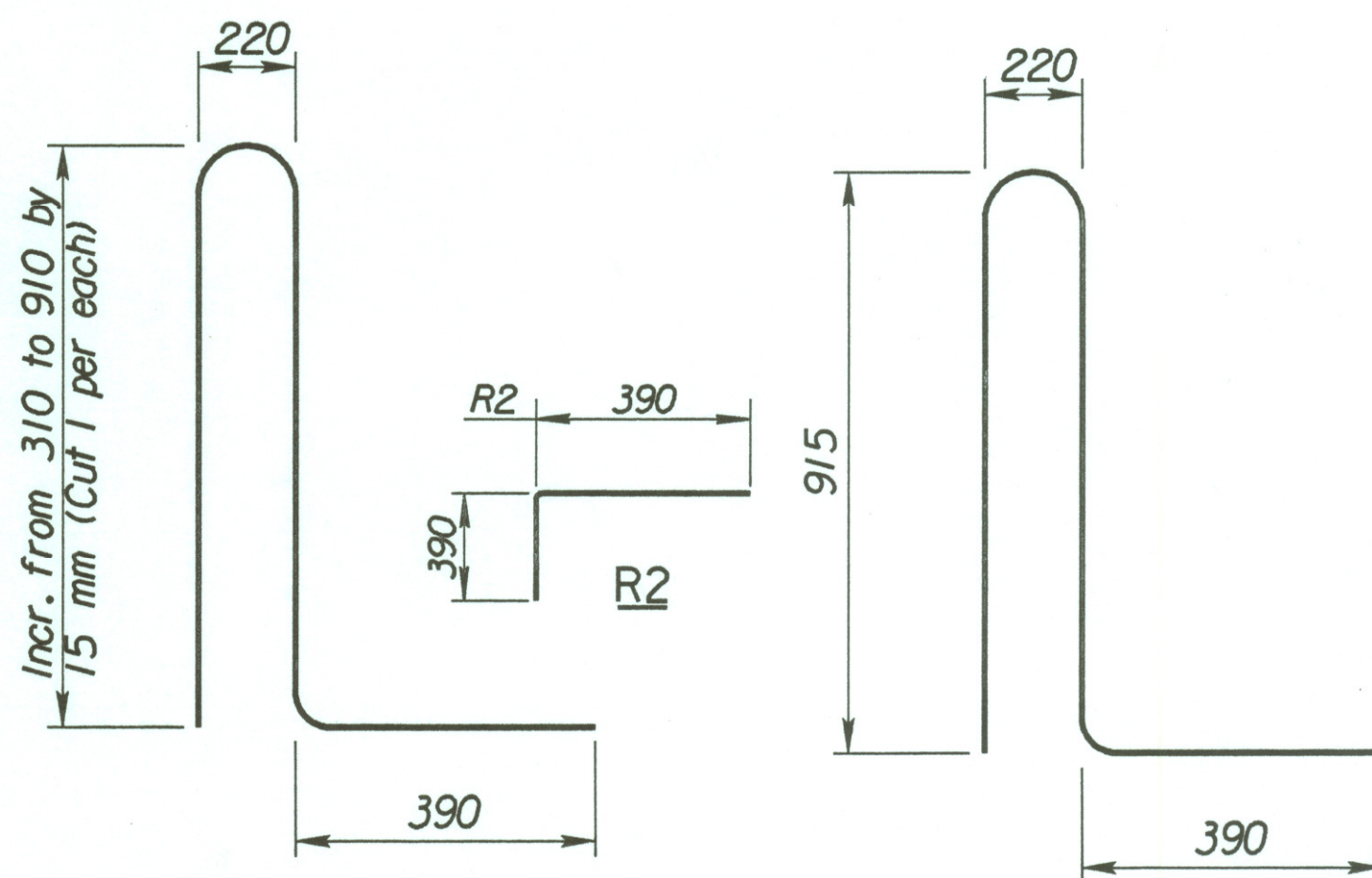
**SECTION B-B**

Longitudinal construction joint and \*16 x 900 mm bars @ 750 mm ctrs., where concrete pavement is constructed



**COMBINED CURB AND GUTTER - TYPE I**

REINF. STEEL (C.S.B. Type V Spec.)							
Straight Bars				Bent Bars			
Mark	No.	Size	Length	Mark	No.	Size	Length
H1	2	*19	12 290	R1	20	*16	2300
H2	2	*16	11 010	R2	41	*13	770
H3	2	*16	7930	R3	41	*16	Var.
H4	2	*16	4850	R4	Var.	*13	770
H5	2	*16	1780				
H6	1	*19	12 310				
H7	11	*16	5920				
F1	41	*16	1130				
F2	4	*19	12 290				
F3	20	*16	1130				
F4	4	*16	5920				



**BENDING DIAGRAMS**  
 Dimensions are out to out of bars

REINFORCING STEEL (C.S.B. Type V)										
Location	A	B	C	*H7	Length H7	*R1	*R4	*F3	*F4	Length H7
NW FWB	150	19	6000	11	5900	20	20	20	4	5900
SW FWB	165	19	6030	11	5930	20	20	20	4	5930
NE FWB	176	19	6052	11	5950	20	20	20	4	5950
SE FWB	180	19	6060	11	5960	20	20	20	4	5960
NW FEB	189	21	6678	11	6580	22	22	22	4	6580
SW FEB	153	19	6006	11	5900	20	20	20	4	5900
SE FEB	68	23	7036	11	6930	24	24	24	4	6930
NE FEB	114	35	10 728	11	10 630	36	36	36	4	10 630

Revisions		By	Date
CITY OF WICHITA			
BR. NO. 54-87-19.32 (495) F.W.B.		STA. 16+016.230	
BR. NO. 54-87-19.29 (492) F.E.B.		STA. 16+005.740	
<b>BARRIER TRANSITION</b>			
<b>TYPE V and TYPE V(SPECIAL)</b>			
SEDGWICK COUNTY			
<b>Professional Engineering Consultants, P.A.</b>			
303 S. TOPEKA • WICHITA, KANSAS 67202 316-262-2691 • FAX 316-262-3003			
Designed by	M.D.G.	Checked by	R.A.S.
Drawn by	W.L.L.	Date	April, 2002
		Job No.	97362-6

Drawn by: wil  
 Plotted by: mkg  
 Date: 3-28-2002  
 File: 1997/97362/001/bridge/cowskin/barrtran