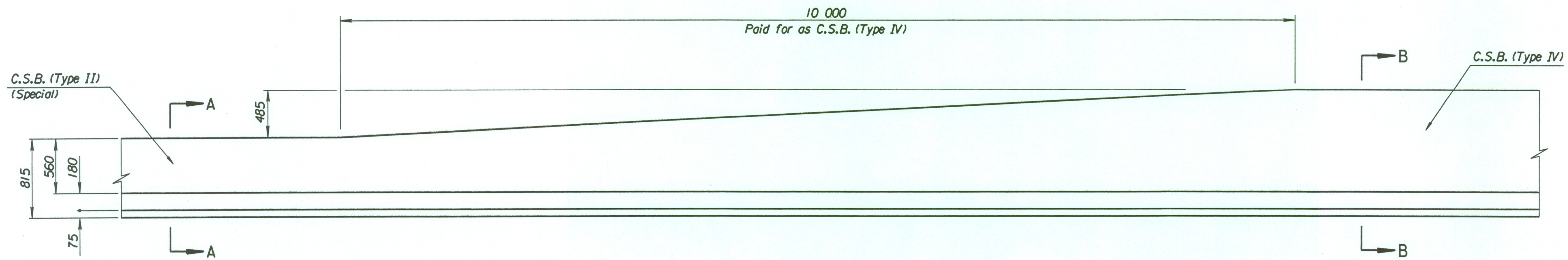
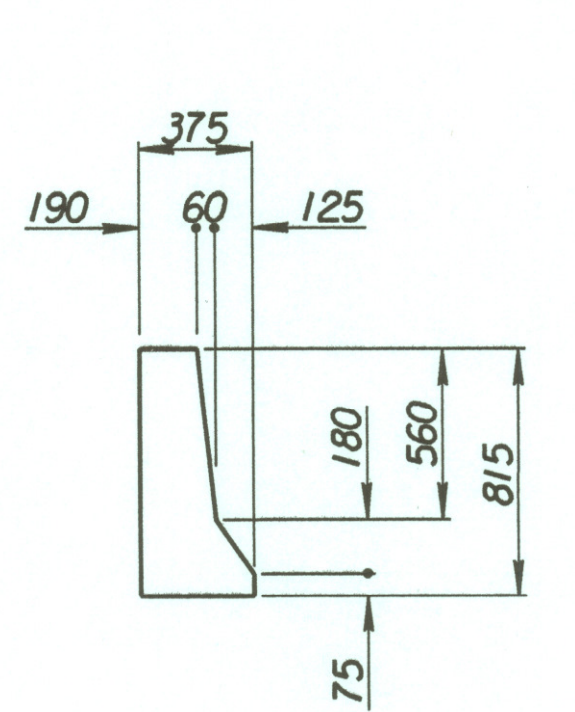


FHWA REGION NO.	STATE	PROJECT NO.	YEAR	SHEET NO.	TOTAL SHEETS
7	KANSAS	54-87 K-6657-01	2002	232	1122

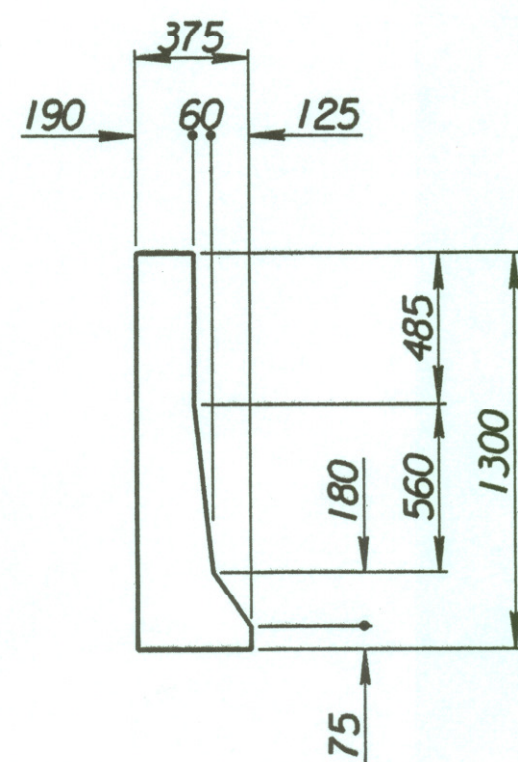


ELEVATION
815 mm Barrier Transition to 1300 mm Barrier.

Note: See concrete safety barrier detail sheet for reinforcing steel in barrier.




SECTION A-A
815 mm Barrier
C.S.B. (Type II) (Special)



SECTION B-B
C.S.B. (Type IV)

DSNR: I:\1997\97362\PAVING\DETAILS\BARRIERDLS.DGN 11-06-2001 7:27:32 LAST REV: 1-14-2002 BY: svb

No.		Revisions		By	Date
CITY OF WICHITA CONCRETE SAFETY BARRIER DETAILS TRANSITION 815mm TO 1300mm SEDGWICK COUNTY					
 Professional Engineering Consultants, P.A. 303 S. TOPEKA - WICHITA, KANSAS 67202 316-262-2691 • FAX 316-262-3003					
Designed by	R.A.S.	Checked by	R.A.S.		
Drawn by	W.L.L.	Date	April, 2002	Job No. 97362	