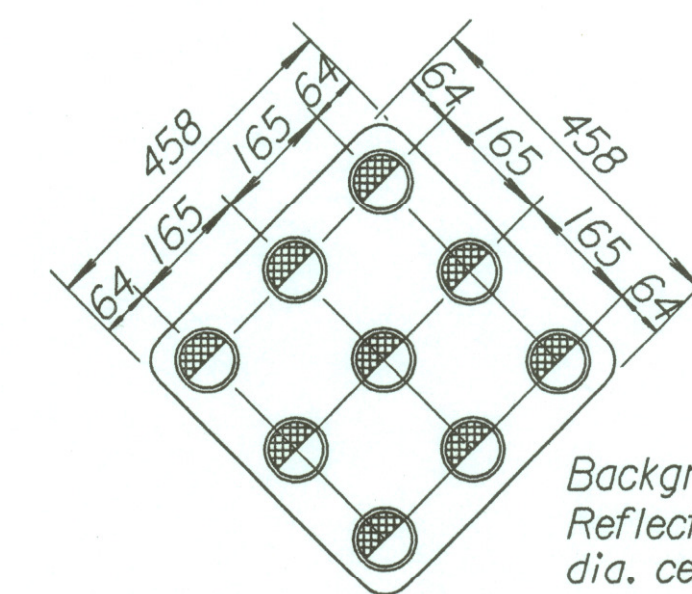
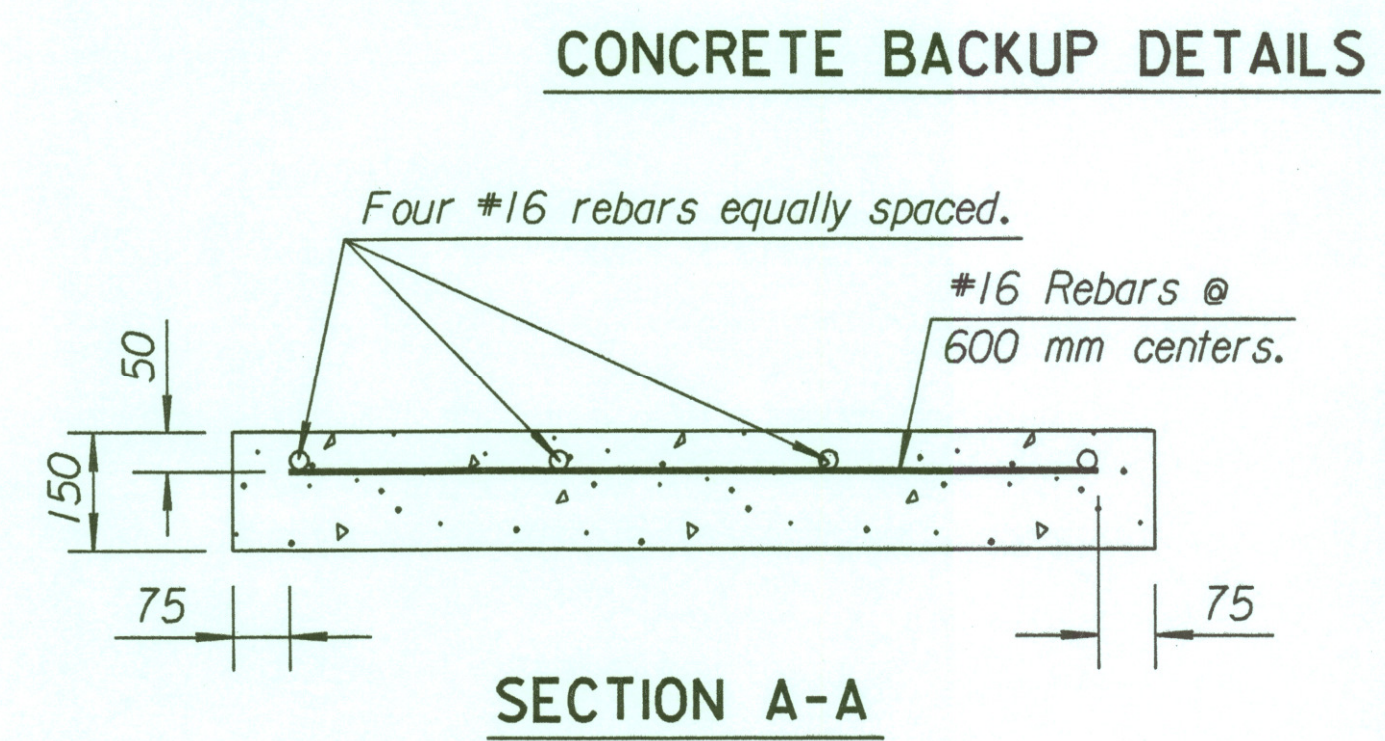
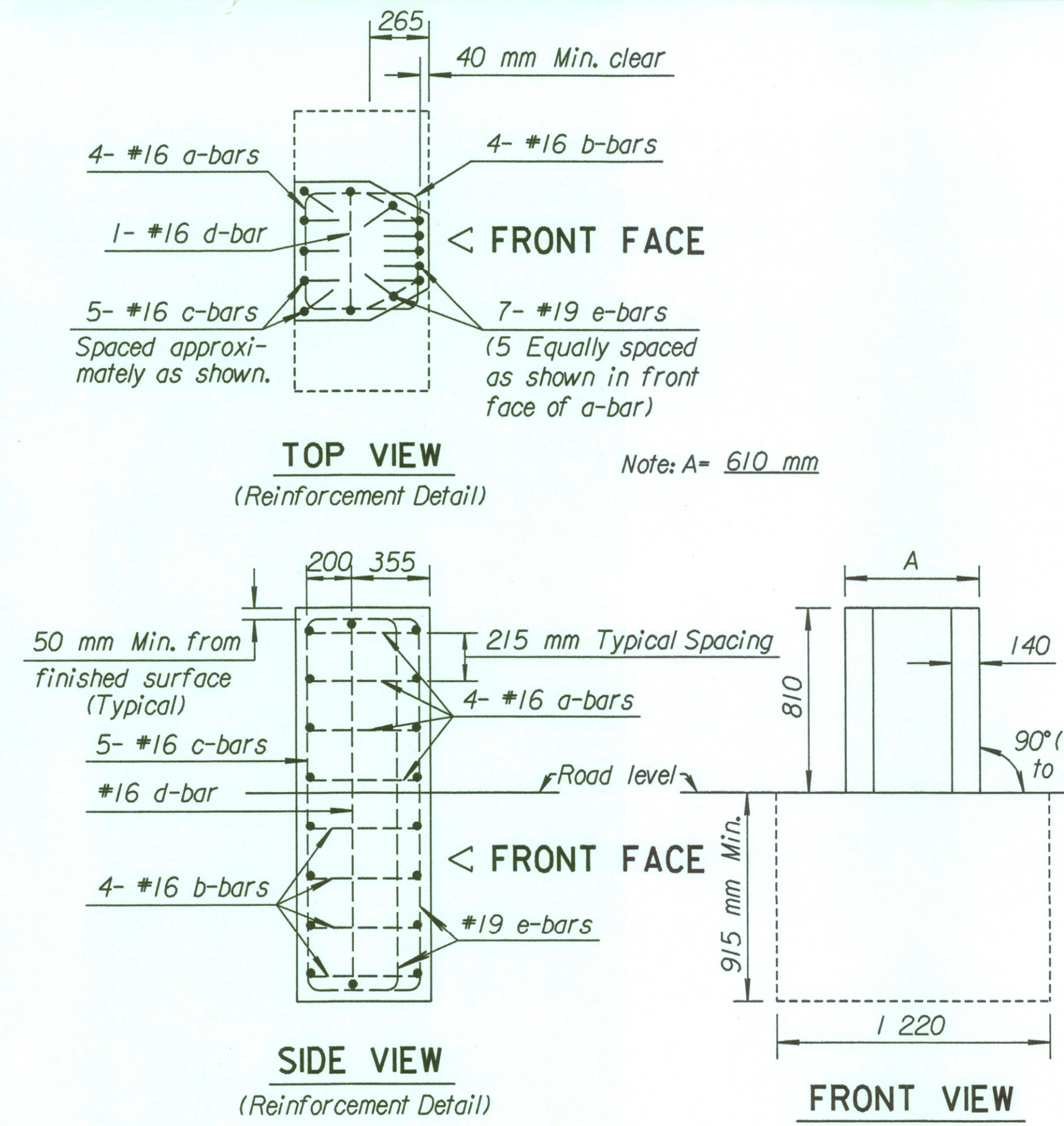
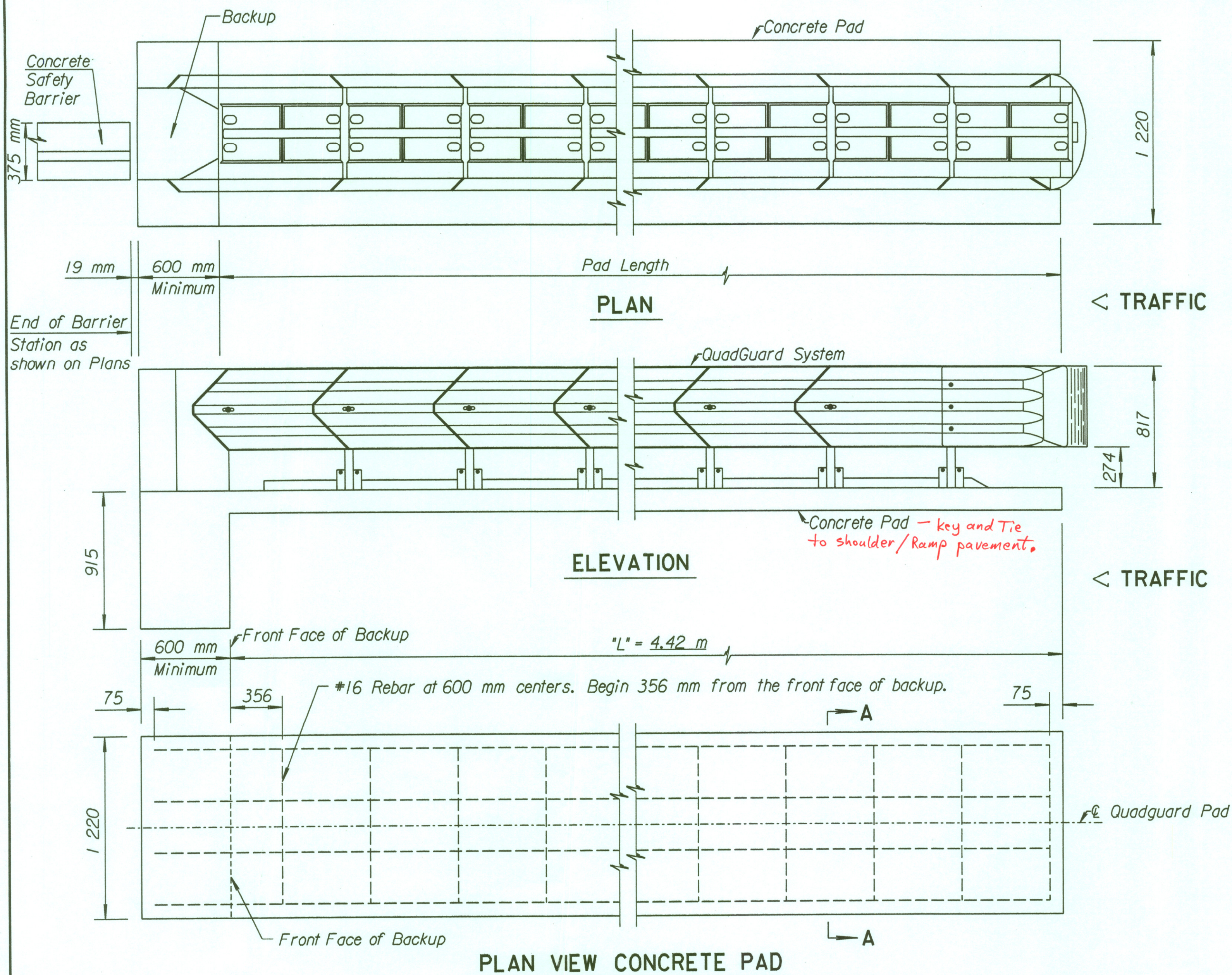


FHWA REGION NO.	STATE	PROJECT NO.	YEAR	SHEET NO.	TOTAL SHEETS
7	KANSAS	54-87 K-6657-01	2002	234	1122

GENERAL NOTE
 The QuadGuard System shall consist of the following items which shall be considered Subsidiary.
 QuadGuard Model Number QS2404Y.
 Conc. Backup Wall Assembly
 Conc. Slab for Assembly
 Any Equipment necessary to meet the Manufacturer's requirements for a complete and functioning system.
 The Contractor shall refer to Special Provisions for additional details.
 A Type I Object Marker shall be attached at the approach end of the system. The Object Marker shall be bolted or riveted to the end bay.

APPROVED SUBMITTAL:
 # 5A- Quadguard system - QS2404, QS2406 & QS2408.

NOTE:
 Epoxy Rebar requested on 2-5-03, for Concrete Backup.



TYPE I OBJECT MARKER
 Aluminum Sign Blanks shall be ASTM B-209 (H), Alloy 6061-T6, 5154-H38, or 5052-H38. All holes shall be 10mm in diameter.
 The 83 mm diameter yellow button delineator shall comply with the Standard Specifications.
 The type of adhesive used for reflective sheeting shall be heat activated or pressure sensitive.
 Sign face shall be covered with regular performance reflective sheeting.

NO.	DATE	REVISIONS	BY	APP'D
3				
2				
1				

KANSAS DEPARTMENT OF TRANSPORTATION

**IMPACT ATTENUATOR
QUADGUARD SYSTEM**

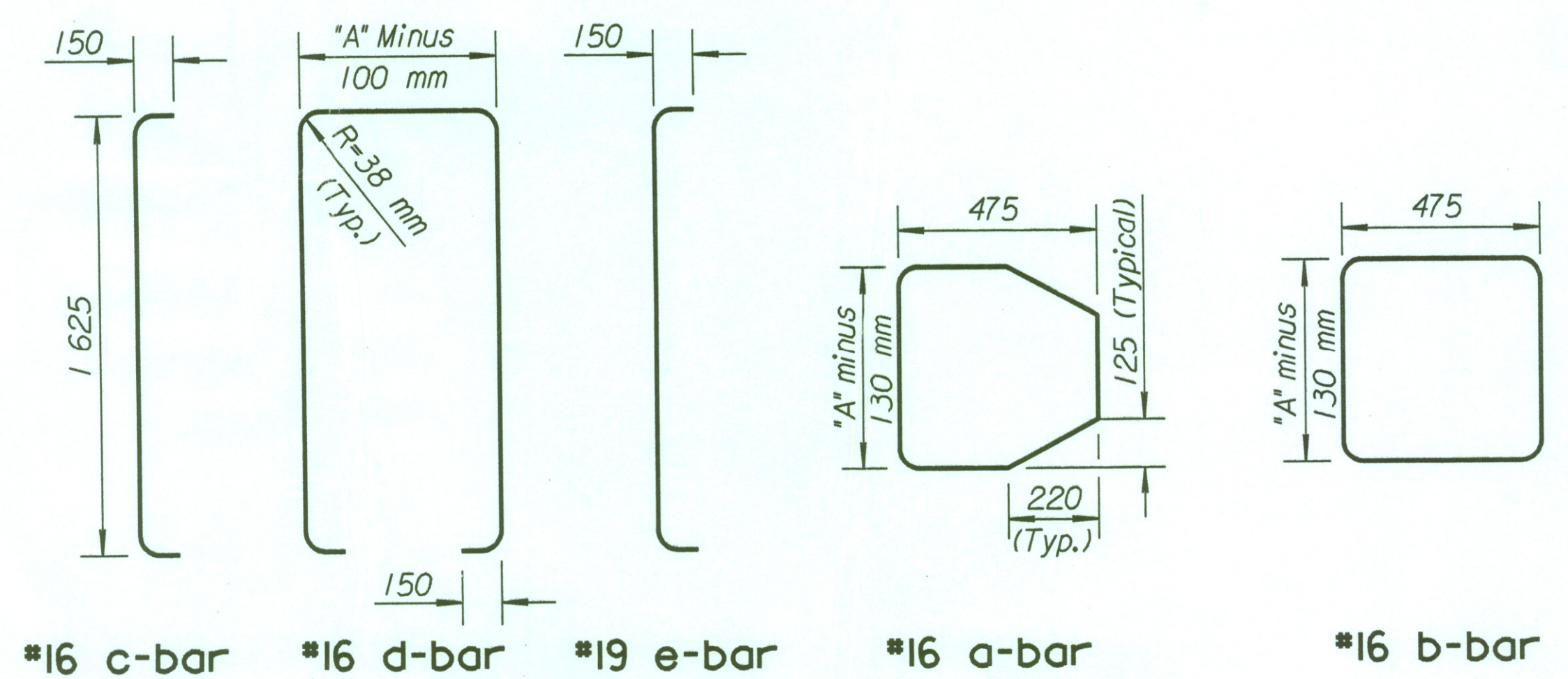
RD6375I

FHWA APPROVAL	2-12-01	APP'D.	James O. Brewer
DESIGNED	TRACED	QUANTITIES	TRACED
DESIGN CK.	DETAIL CK.	QUAN. CK.	TRACE CK.

Note to the Designer: The designer shall be responsible for designating dimensions "A" and "L" and the QuadGuard model number.
 BY:

DSNR: OPER: SIVB SCALE: 1-14-2002 14:14:57 LAST REV: 1:71997/97362/STANDARDS/R06375I.DGN

Note: Cross slope of pad shall not exceed 8% and not vary more than 2% from front to back. Pad and Backup Block should be tied together & poured monolithically. Concrete for pad and backup block shall have a minimum compressive strength of 28 MPa.



BENDING DIAGRAMS

All dimensions are out-to-out on bars unless otherwise noted.