

STATE	PROJECT NO.	YEAR	SHEET NO.	TOTAL SHEETS
KANSAS	54-87 K-6657-01	2002	238	1122

**GENERAL NOTES**

**DESIGN SPECIFICATIONS:**  
A.A.S.H.T.O. Standard Specifications for Highway Bridges, 1996 Edition plus 1997 Interims.

**CONSTRUCTION SPECIFICATIONS:**  
Kansas Department of Transportation Standard Specifications for State Road and Bridge Construction, 1990, and Special Provisions.

**DESIGN LOADING:**  
C.I.P. Retaining Wall  
Live Load Surcharge Load of 600 mm of earth  
Equivalent Fluid Pressure 2870 Pascals  
Planter Wall  
Equivalent Fluid Pressure 1675 Pascals

**CONCRETE:** Concrete shall be Grade 30 (AE). Bevel all exposed edges of all concrete with a 20 mm triangular molding except as otherwise noted on the plans. Exposed surfaces, except recessed grooves, shall be given a rubbed finish. Construction Joints are optional with the Contractor, but if used, shall be made only at locations shown, or at locations approved by the Engineer.

**REINFORCING STEEL:** All reinforcing steel dimensions are to the centerline of bars unless otherwise noted. All reinforcing steel shall conform to the requirements of A.S.T.M. A615M, Grade 420.

**EXCAVATION:** All excavation for the retaining wall shall be Class III Excavation and shall be included in the bid item "C.I.P. Retaining Walls" or "Planter Walls" as applicable. Excavation for Tie Backs has not been computed and shall be subsidiary.

**PRESSURE GROUTED PILE (406 mm):** Pressure Grouted Piles shall be used for the Retaining Walls at locations indicated on the plans. Payment for "Pressure Grouted Pile (406mm)" will be based on the unit price per linear meter. Each pile shall provide a minimum bearing capacity of 11.2 kn (56 Tons in English Units).

**C.I.P. RETAINING WALLS:** Payment for "C.I.P. Retaining Walls" will be based on the unit bid price per square meter. Areas shown in the Summary of Quantities for C.I.P. Retaining Walls were computed based on the distance from the top of the wall to the bottom of the wall stem as detailed on the plans. The bid price shall be full compensation for concrete, reinforcing steel, excavation, construction of the drainage system, tie backs, compaction of backfill, and for all material, labor, equipment, tools and incidentals necessary to complete the work.

**PLANTER WALLS:** Payment for "Planter Walls" will be based on the unit bid price per square meter. Areas shown in the Summary of Quantities for Planter Walls were computed based on the distance from the top of the wall to the bottom of the wall stem as detailed on the plans. The bid price shall be full compensation for concrete, reinforcing steel, excavation, construction of the drainage system, steps, irrigation wall sleeves, compaction of backfill, and for all material, labor, equipment, tools and incidentals necessary to complete the work. The quantities are based on construction of the C.I.P. Retaining Walls. If M.S.E. walls are utilized the planter walls will be extended the additional distance, approximately 125 mm, to the face of the M.S.E. walls. This additional wall construction will not be paid for but will be considered subsidiary to the bid item "Planter Walls". See irrigation plans for locations of irrigation wall sleeves which shall be 25mm larger in diameter than the irrigation lines.

**EXPANSION AND CONTRACTION JOINTS:** The Type "B" Expansion Joint Material shall conform to Section 1503 of the Standard Specifications. The 230 mm P.V.C. plastic waterstop shall conform to Section 1506 of the Standard Specifications. The expansion joint material, plastic waterstop and 20 mm diameter smooth dowels shall be considered subsidiary to the bid item "C.I.P. Retaining Walls" or "Planter Walls" as applicable.

**SURFACE COATING FINISH:** The Surface Coating Finish shall be applied to exterior concrete surfaces of the wall within the limits detailed on the plans. Refer to "Kellogg cast-in-Place Retaining Walls Architectural Details," (Sheet No. 239) for Surface Coating Limits and Payment Provisions.

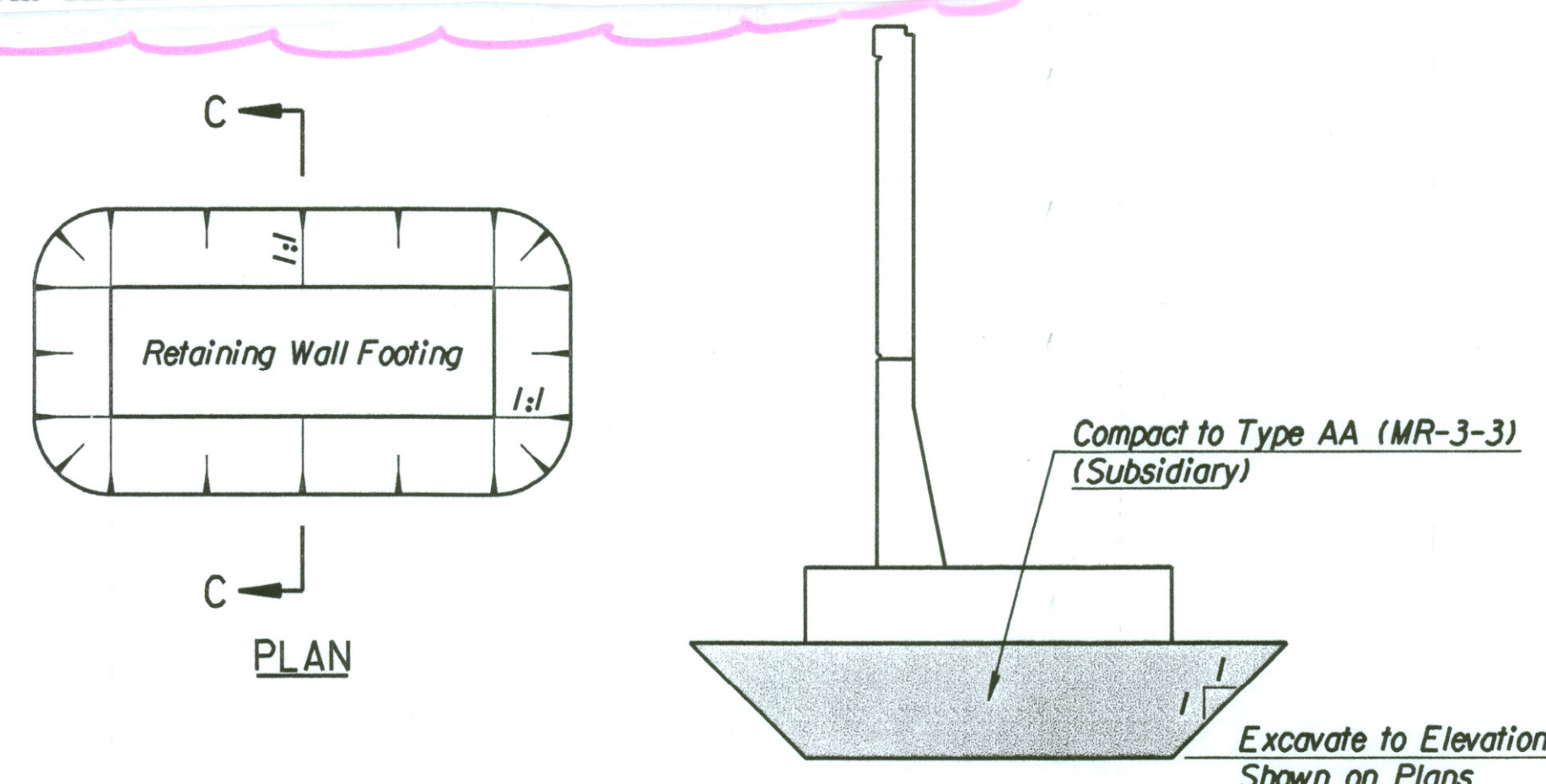
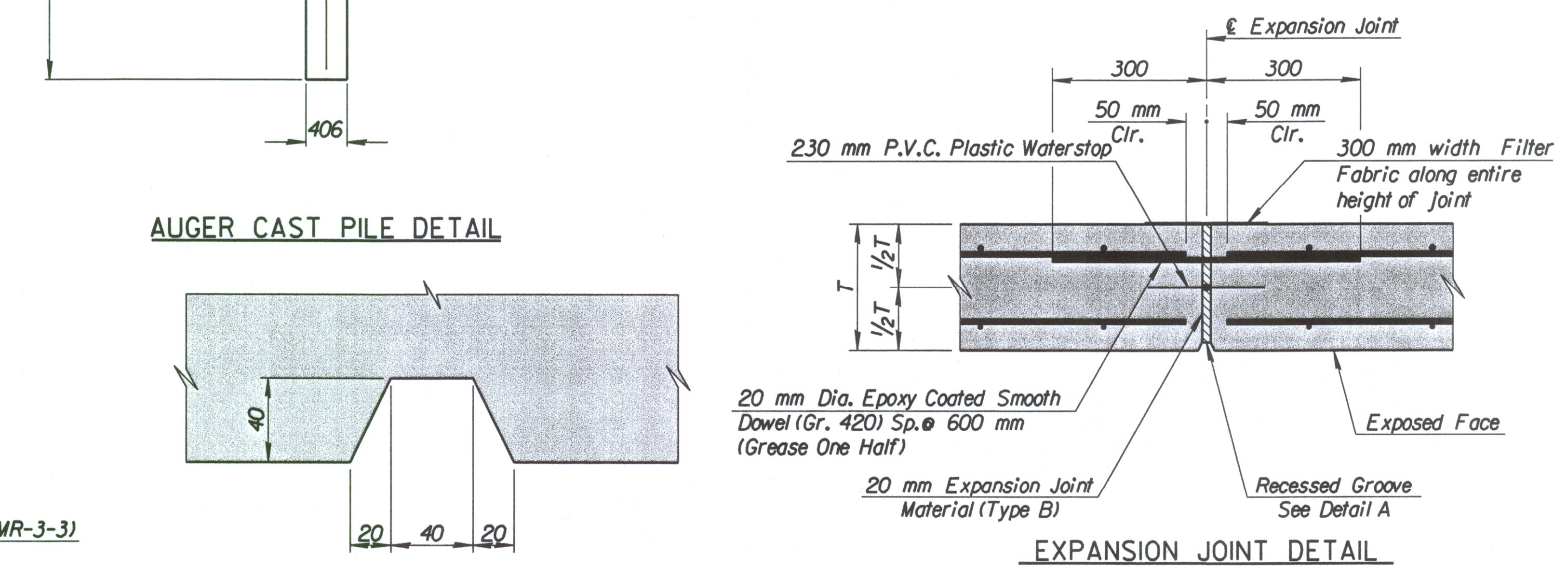
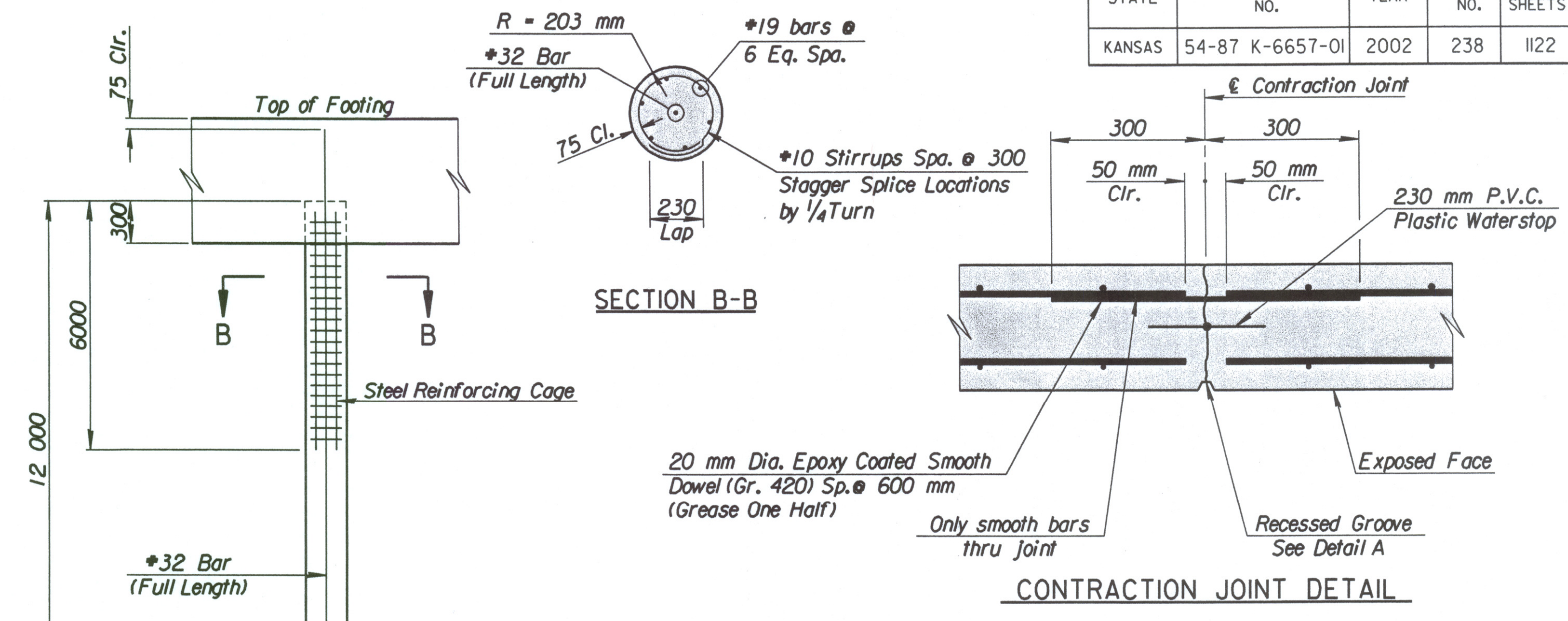
**RETAINING WALL DRAINAGE:** Retaining walls shall have horizontal drainage as shown. Strip drains may be used in lieu of aggregate. See KDOT Specifications for "Abutment Strip Drains" for strip drain requirements.

Construction and materials for drainage, including weepholes, geotextile fabric, granular material and strip drain shall be subsidiary to the bid item "C.I.P. Retaining Walls" or "Planter Walls" as applicable. Granular material for drainage shall conform to the requirements of UD-1. Weepholes may be a formed opening or corrugated polyethylene tubing.

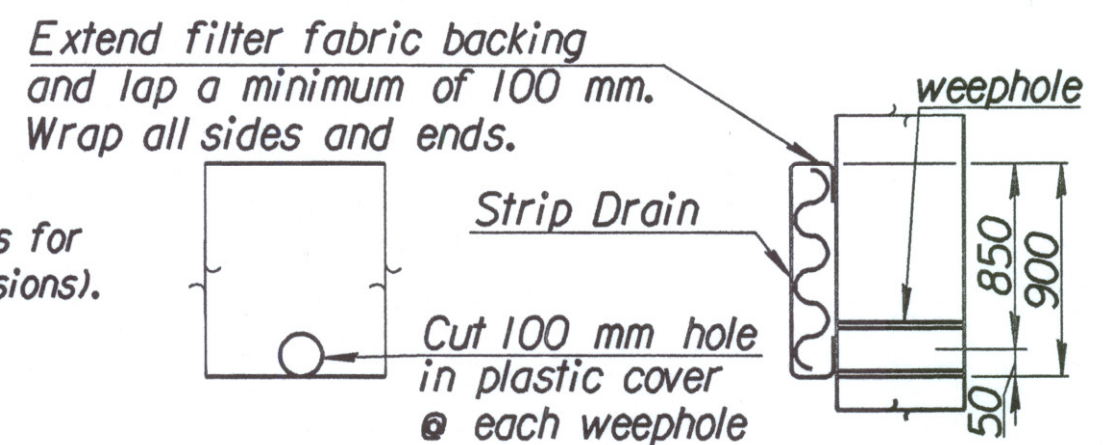
**COARSE AGGREGATE FILL:** Coarse aggregate fill shall meet the requirements of Subsection 1102.02(a) for CA-4 or CA-5 of the Standard Specifications.

**SPECIAL SURFACE TREATMENT:** Special Surface Treatment shall be located on the walls as shown on the plans and shall be paid for at the contract unit bid price per square meter. Refer to "Kellogg Cast-in Place Retaining Walls Architectural Details," (Sheet No. 239) for Special Surface Treatment Limits and Payment Provisions.

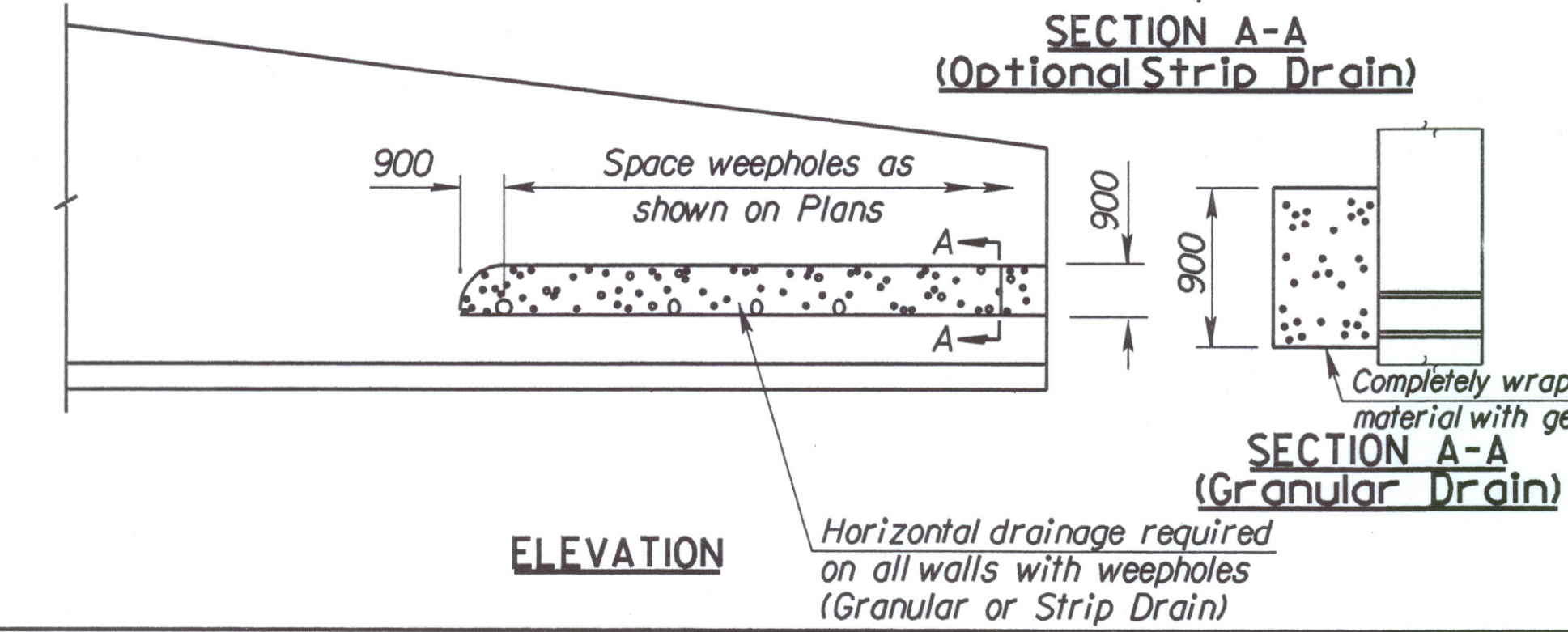
Delete the following on Sheet No. 238. In the Note CONCRETE: Delete the sentence "Exposed surfaces, except recessed grooves, shall be given a rubbed finish." **ADDENDUM #3**  
Delete the note for "COARSE AGGREGATE FILL".



**OVEREXCAVATION AND COMPACTION DETAIL**



Note: Geotextile fabric shall comply with requirements for Abutment Drainage Systems (See Special Provisions).



Item	Location										Total	Unit
	Maize Road					Tyler Road						
	N.W.	N.E.	S.W.	S.E.	Sub-Total	N.W.	N.E.	S.W.	S.E.	Sub-Total		
Planter Walls	320.8	295.6	284.2	371.6	1272.2	379.5	321.1	310.1	195.0	1205.7	2477.9	m <sup>2</sup>
Handrail	96.0	28.8	91.6	81.6	298.0	129.6	67.2	38.4	40.8	276.0	574.0	m
Surface Coating Finish	341.8	294.4	283.1	374.6	1293.9	382.0	322.0	320.5	186.8	1211.3	2505.2	m <sup>2</sup>

Item	Location										Total	Unit
	Maize Road					Tyler Road						
	N.W.	N.E.	S.W.	S.E.	Sub-Total	N.W.	N.E.	S.W.	S.E.	Sub-Total		
C.I.P. Retaining Walls	1303.6	1597.3	1755.3	1760.8	6417.0	1955.0	1768.6	2140.2	1535.6	7399.4	13 816.4	m <sup>2</sup>
Pressure Grouted Pile (406 mm)	3840.0	5040.0	5437.0	6612.0	20 929.0	6324.0	6264.0	5184.0	5184.0	22 944.0	43 873.0	m
Special Surface Treatment	490.1	568.7	623.1	669.8	2351.7	642.5	623.1	764.7	544.5	2574.8	4926.5	m <sup>2</sup>

Note: See Sheet No. 618 for Surface Coating Finish Summary of Quantities.

Item	Location								Unit
	Maize Road				Tyler Road				
	N.W.	N.E.	S.W.	S.E.	N.W.	N.E.	S.W.	S.E.	
Concrete (Grade 30) (AE)	1475.0	1810.2	2151.5	2237.5	2803.1	2180.4	2972.0	1820.0	m <sup>3</sup>
Reinforcing Steel (Grade 420)	137 702	176 912	207 966	213 948	314 208	208 598	281 584	170 962	kg
Concrete (Grade 30) (AE) Tie Back	391.8	524.9	535.9	653.3	483.5	611.4	650.4	512.1	m <sup>3</sup>
Reinforcing Steel (Grade 420) Tie Back	32 012	43 469	45 445	53 625	41 084	50 267	54 838	42 628	kg
Pressure Grouted Pile (406 mm)	3840.0	5040.0	5437.0	6612.0	5172.0	6324.0	6264.0	5184.0	m
Class III Excavation	1265.5	1980.2	2937.7	1507.1	2388.2	2169.5	4253.1	3115.8	m <sup>3</sup>
Special Surface Treatment	490.1	568.7	623.1	669.8	642.5	623.1	764.7	544.5	m <sup>2</sup>

No.	Revisions	By	Date
CITY OF WICHITA			
<b>GENERAL NOTES AND SUMMARY OF QUANTITIES</b>			
<b>KELLOGG CAST-IN-PLACE RETAINING WALLS</b>			
SEDGWICK COUNTY			
<b>Professional Engineering Consultants, P.A.</b>			
303 S. TOPEKA • WICHITA, KANSAS 67202			
316-262-2691 • FAX 316-262-3003			
Designed by	PDF	Checked by	R.A.S.
Drawn by	WLL	Date	April, 2002
			Job No. 97362

Plotted by : drp 4/11/2002 Drawing Name: I:\997\97362\001\bridge\malzerd\germotelr.dgn