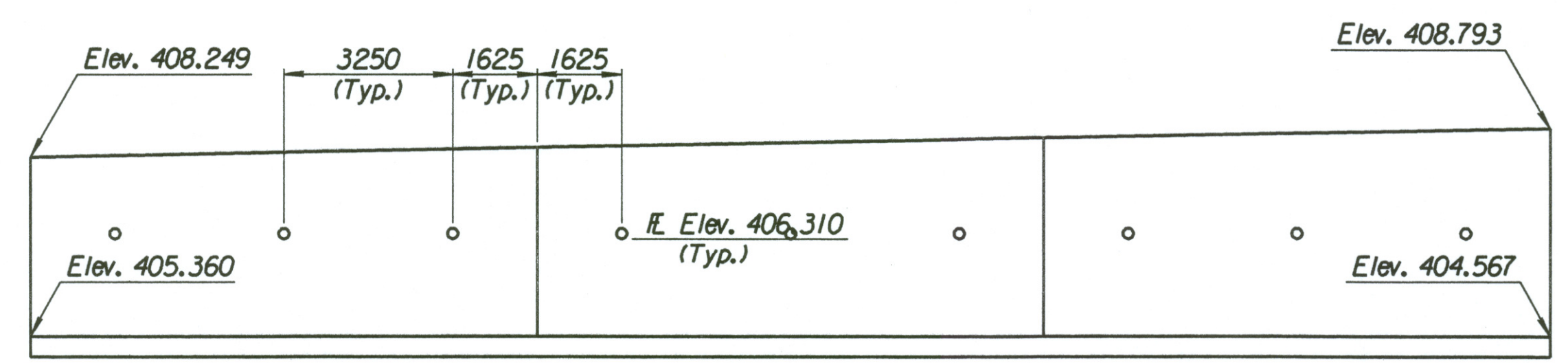
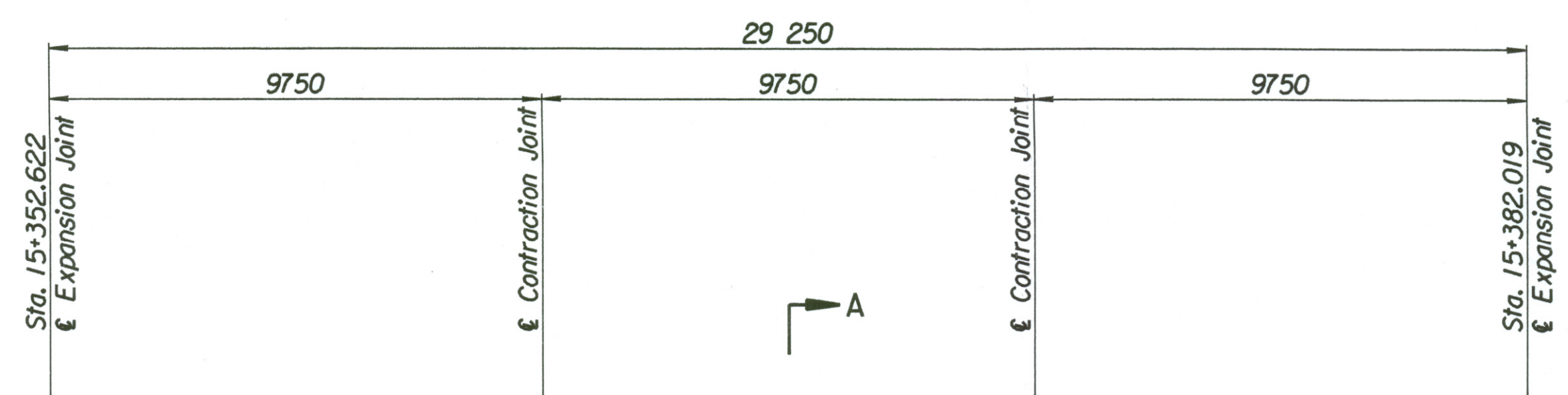


STATE	PROJECT NO.	YEAR	SHEET NO.	TOTAL SHEETS
KANSAS	54-87 K-6657-01	2002	278	1122

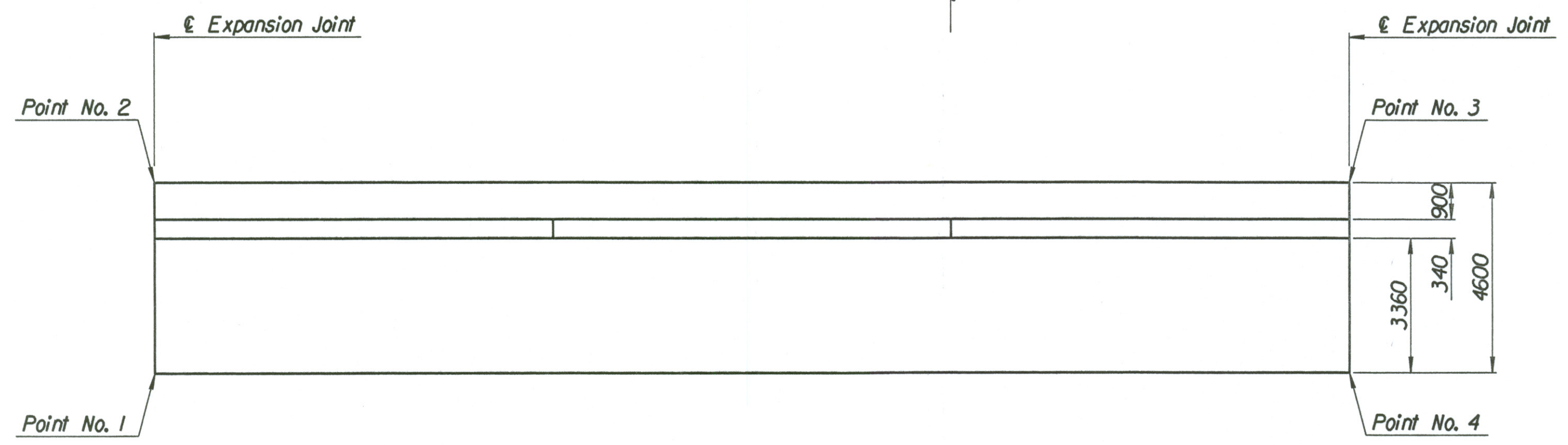
LAYOUT INFORMATION				
Point No.	North Coordinate	East Coordinate	Station	Offset
1	511361.371	491354.702	15+352.622	14.795 Lt.
2	511365.940	491354.163	15+352.622	19.395 Lt.
3	511369.480	491383.191	15+382.019	19.395 Lt.
4	511364.916	491383.766	15+382.019	14.795 Lt.

REINFORCING STEEL							
Straight Bars			Bent Bars				
Mark	Size	Number	Length	Mark	Size	Number	Length
HI-1	*16	99	4520	HI-4	*25	195	2210
HI-2	*22	195	4520	HI-5	*16	99	1200
HI-3	*13	60	14 960				
HI-6	*16	99	Varies				
HI-7	*13	99	Varies				
HI-8	*13	69	9650				

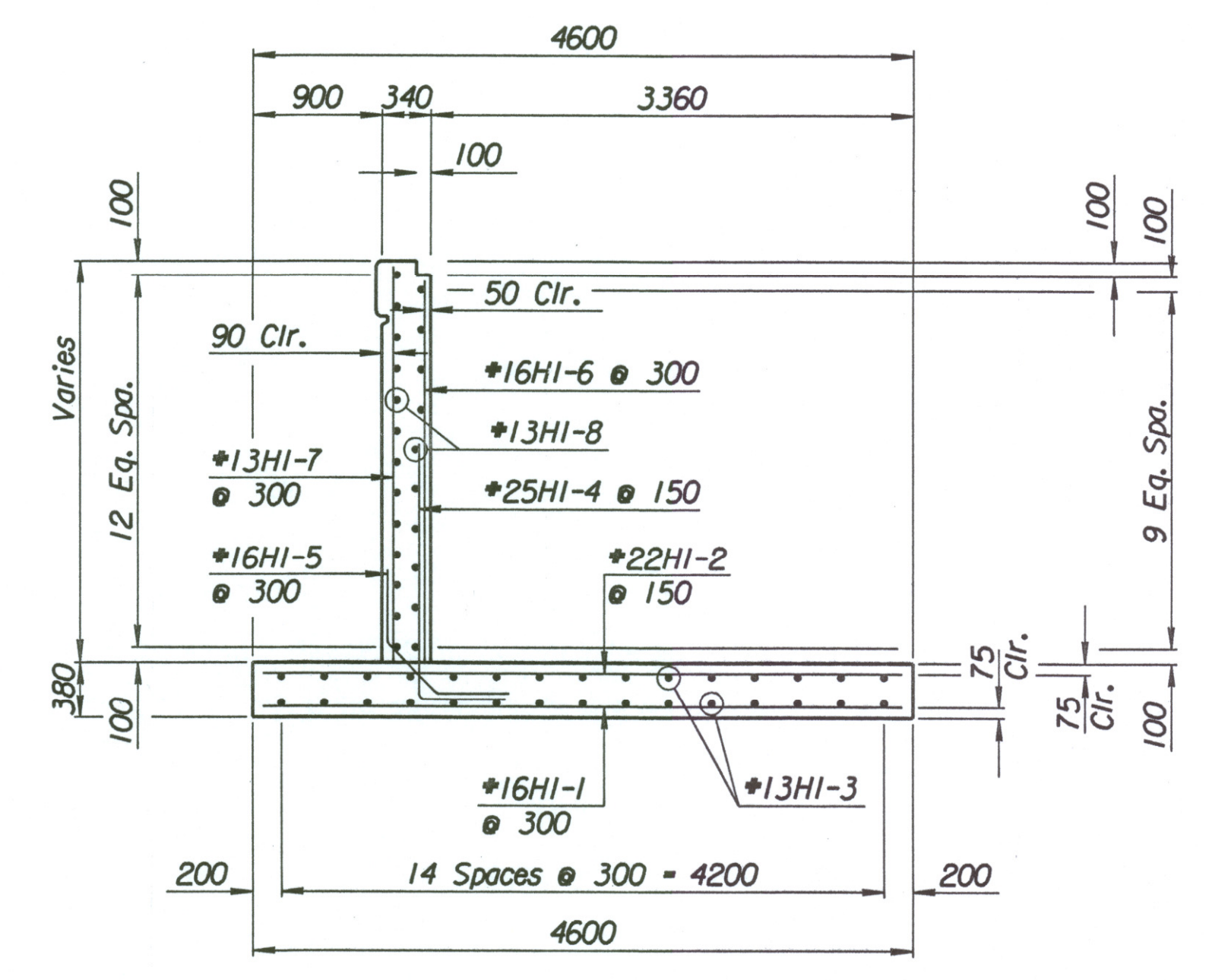
WALL QUANTITIES		
Item	Quantity	Unit
Concrete (Grade 30/AE)	86.2	m <sup>3</sup>
Reinforcing Steel (Grade 420)	7689	kg
Class III Excavation	7.0	m <sup>3</sup>



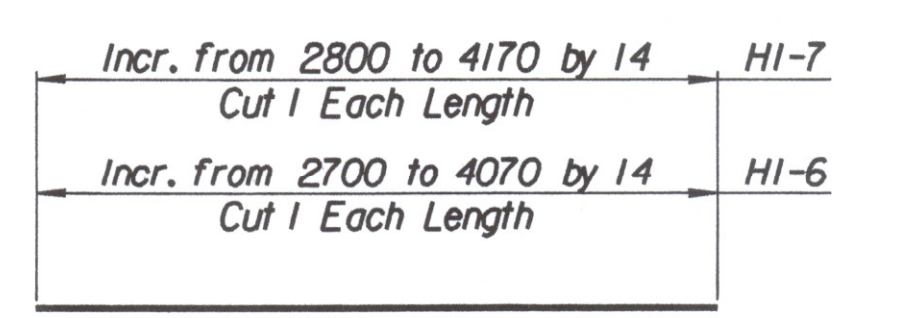
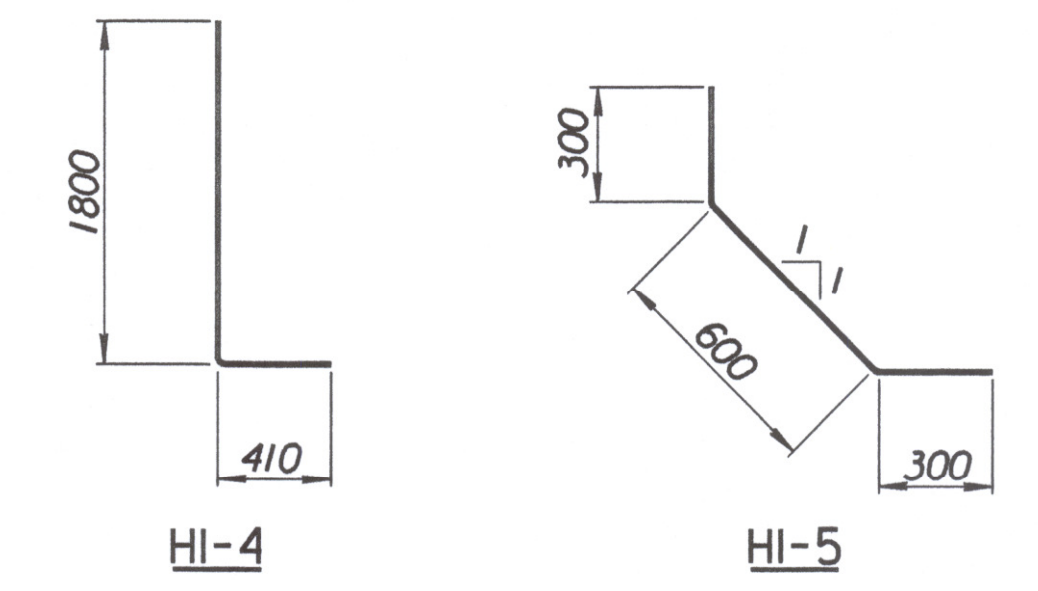
ELEVATION



PLAN



SECTION A-A



BENDING DIAGRAMS  
All dimensions are out to out of bars.

Drawn by: will  
Plotted by: drp 3-25-2002  
i:/1997/97362/001/bridge/maizerd/WWwall-8

No.	Revisions	By	Date

CITY OF WICHITA

**MAIZE NORTHWEST WALL**  
STA. 15+352.622 TO STA. 15+382.019  
SEDGWICK COUNTY

**Professional Engineering Consultants, P.A.**  
303 S. TOPEKA • WICHITA, KANSAS 67202  
316-262-2601 • FAX 316-262-3003

Designed by	P.D.F.	Checked by	R.A.S.
Drawn by	W.L.L.	Date	Apr. 2002
		Job No.	97362