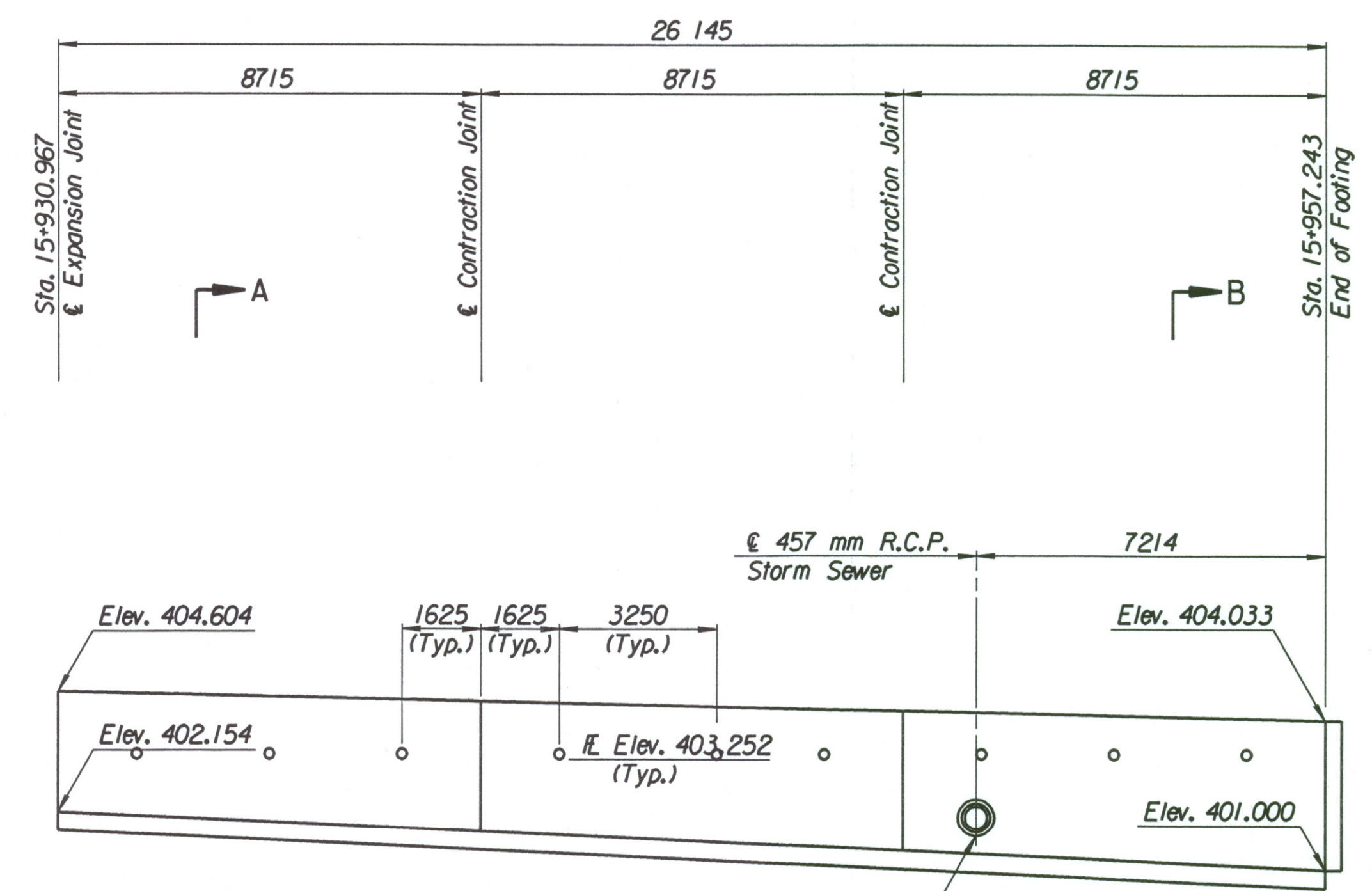


STATE	PROJECT NO.	YEAR	SHEET NO.	TOTAL SHEETS
KANSAS	54-87 K-6657-01	2002	291	1122

LAYOUT INFORMATION				
Point No.	North Coordinate	East Coordinate	Station	Offset
1	511474.331	491918.858	15+930.967	15.995 Lt.
2	511477.605	491917.939	15+930.967	19.395 Lt.
3	511484.759	491943.079	15+957.243	19.395 Lt.
4	511481.492	491944.021	15+957.243	15.995 Lt.

REINFORCING STEEL							
Straight Bars			Bent Bars				
Mark	Size	Number	Length	Mark	Size	Number	Length
L2-1	*16	219	3320	L2-3	*19	174	1780
L2-2	*13	44	13 410	L2-4	*13	87	1200
L2-5	*16	87	Varies	L2-8	*13	11	800
L2-6	*13	87	Varies	L2-9	*13	9	480
L2-7	*13	60	8620				
L2-10	*16	5	1630				

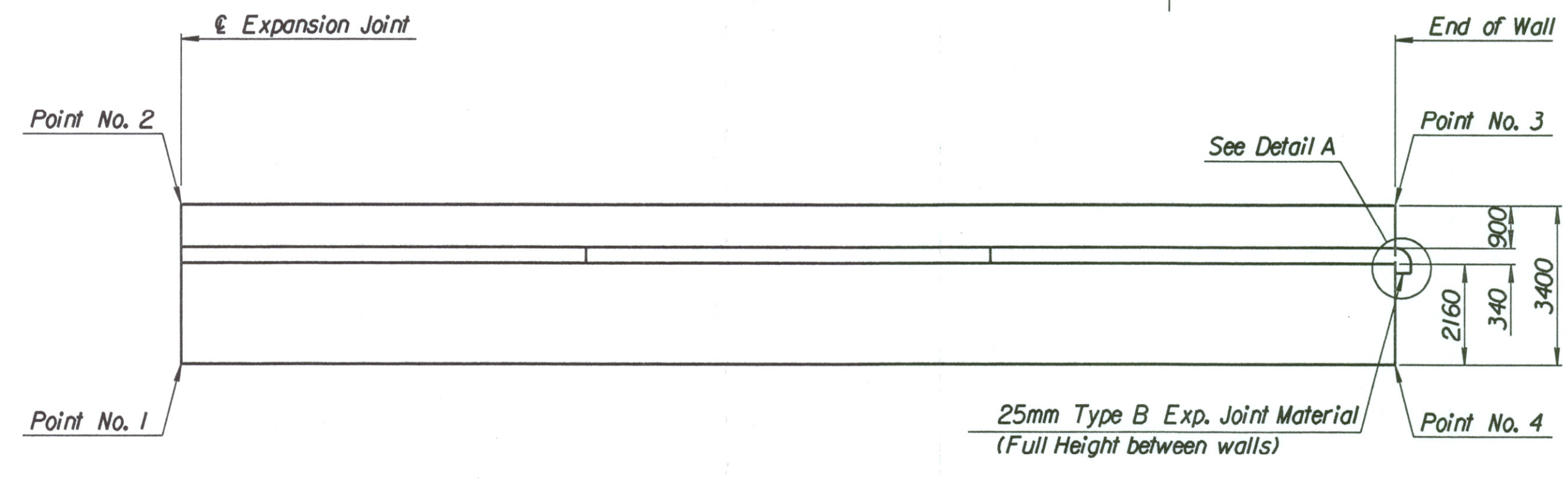
WALL QUANTITIES		
Item	Quantity	Unit
Concrete (Grade 30XAE)	57.9	m ³
Reinforcing Steel (Grade 420)	3633	kg
Class III Excavation	57.8	m ³



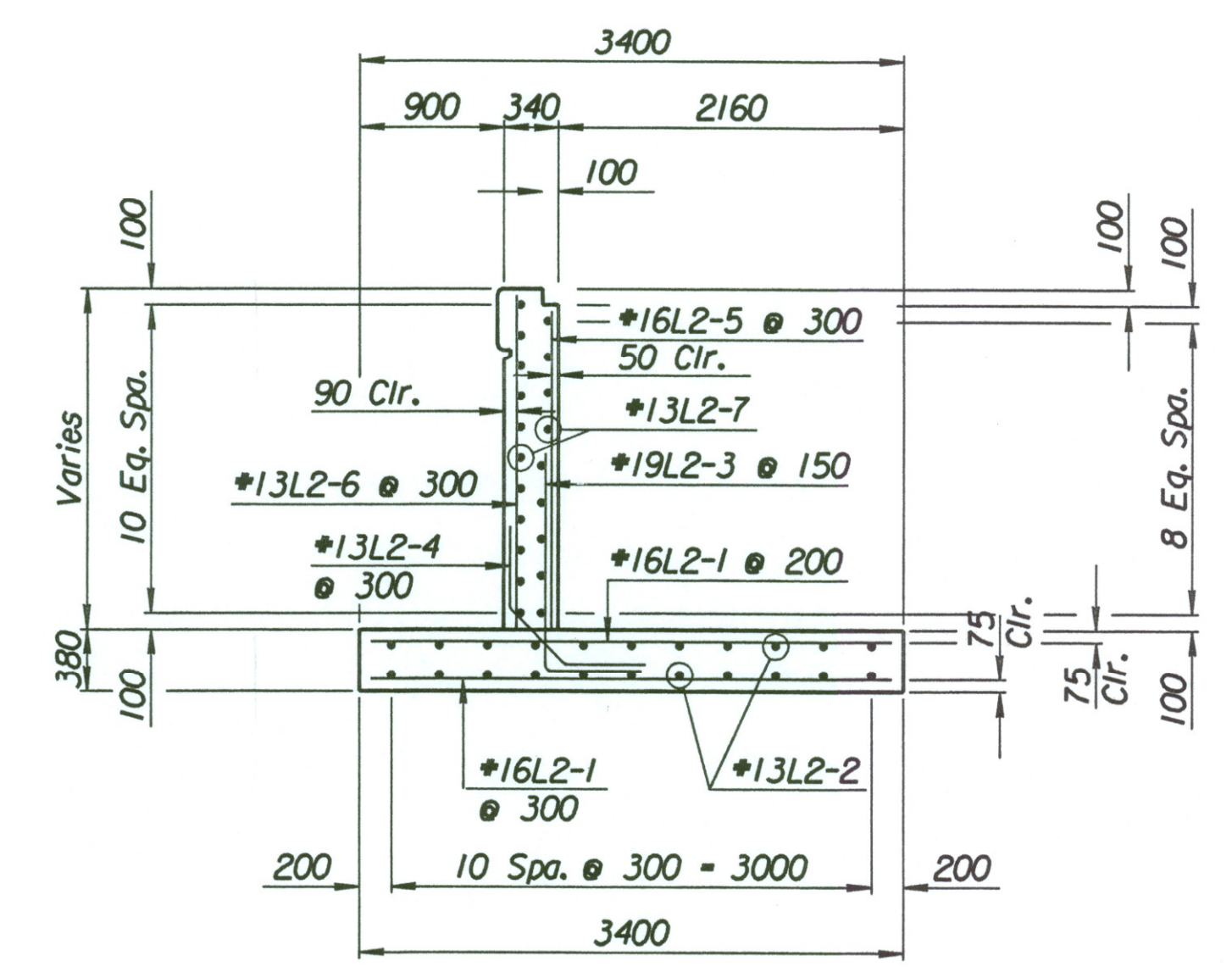
Provide 750 mm Dia. Hole for 457 mm R.C.P. Storm Sewer
Bottom of Opening Elev. 401.680

ELEVATION

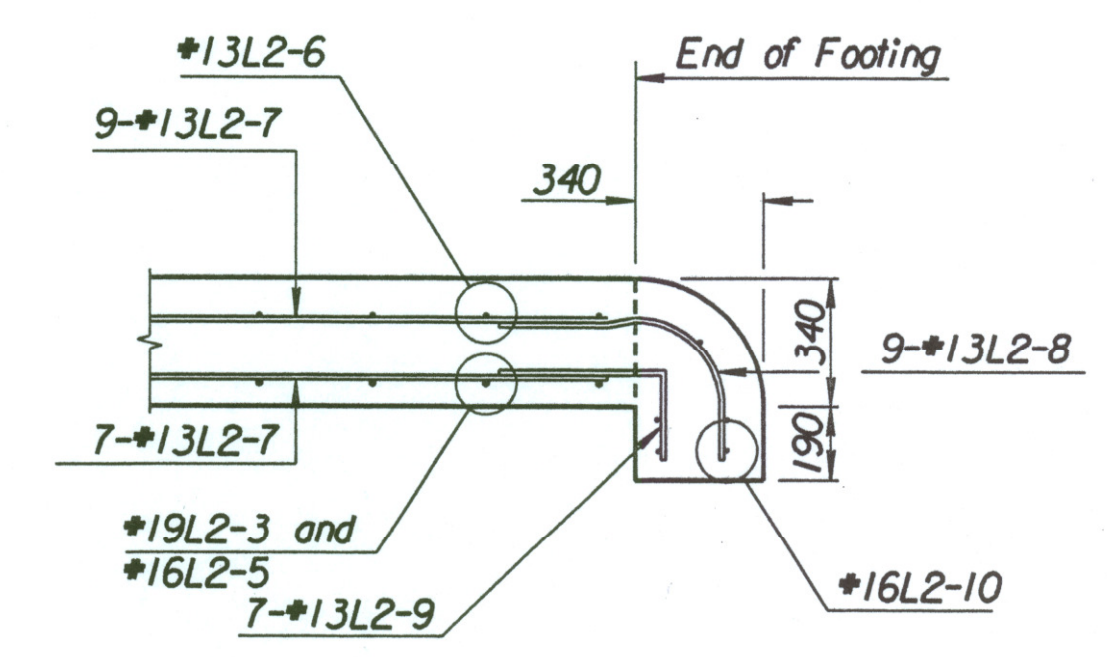
Note:
Field Cut Reinforcing Steel to provide 40 mm clearance around the R.C.P.



PLAN

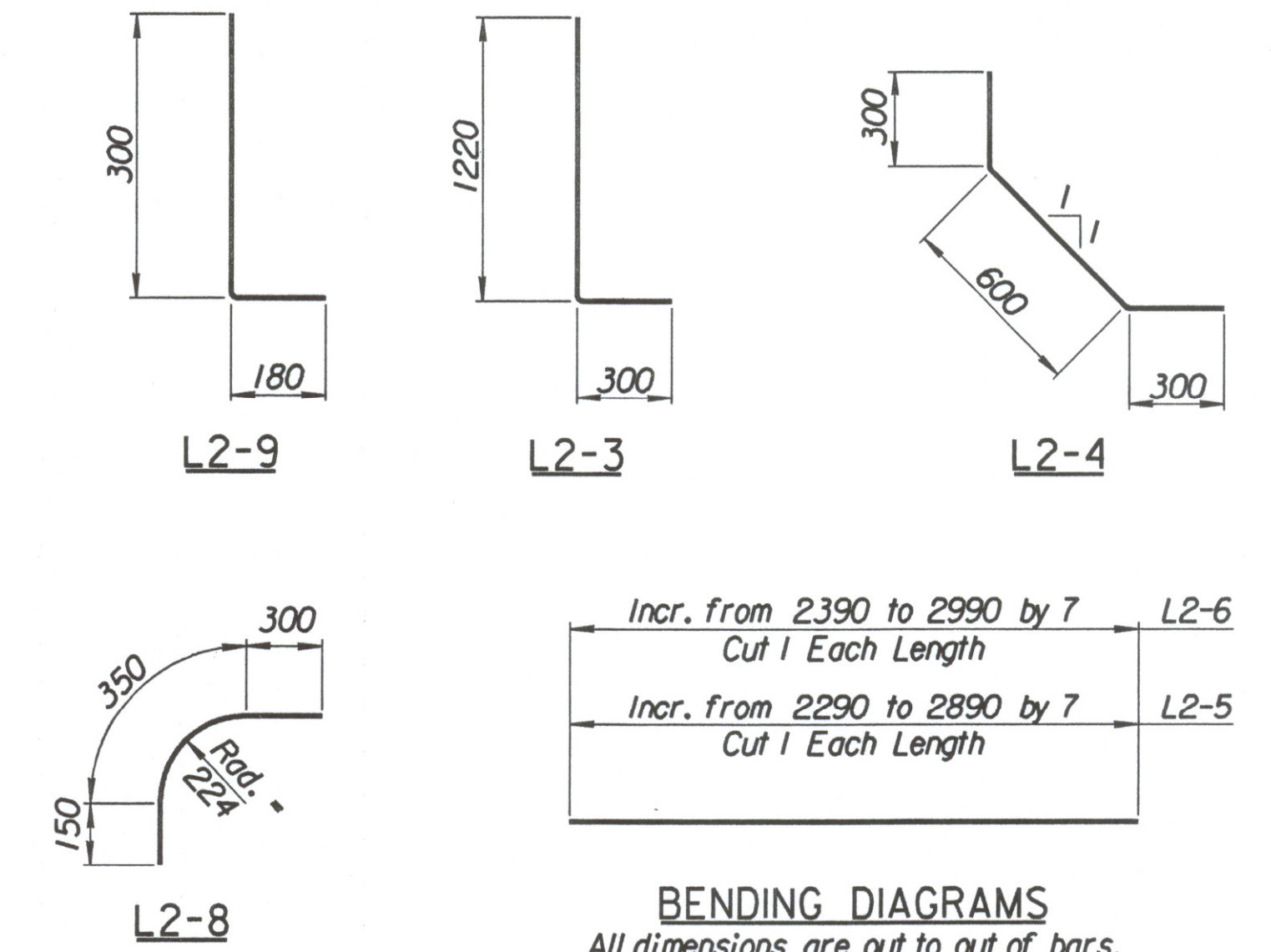


SECTION A-A



DETAIL A

Note: End of wall section has an additional 9-#13L2-8, 7-#13L2-9 and 5-#16L2-10.



Incr. from 2390 to 2990 by 7
Cut 1 Each Length L2-6

Incr. from 2290 to 2890 by 7
Cut 1 Each Length L2-5

BENDING DIAGRAMS
All dimensions are out to out of bars.

Drawn by: wil
 Plotted by: drp
 3-25-2002
 i:\1997\97362\001\bridge\maizerd\NE.wall-11

No.	Revisions	By	Date
CITY OF WICHITA			
MAIZE NORTHEAST WALL			
STA. 15+930.967 TO STA. 15+957.243			
SEDGWICK COUNTY			
Professional Engineering Consultants, P.A. <small>303 S. TOPEKA • WICHITA, KANSAS 67202 316-262-2691 • FAX 316-262-3003</small>			
Designed by	P.D.F.	Checked by	R.A.S.
Drawn by	W.L.L.	Date	Apr., 2002
		Job No.	97362