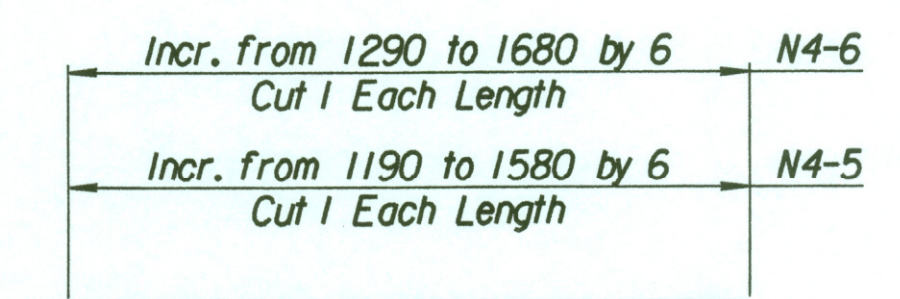
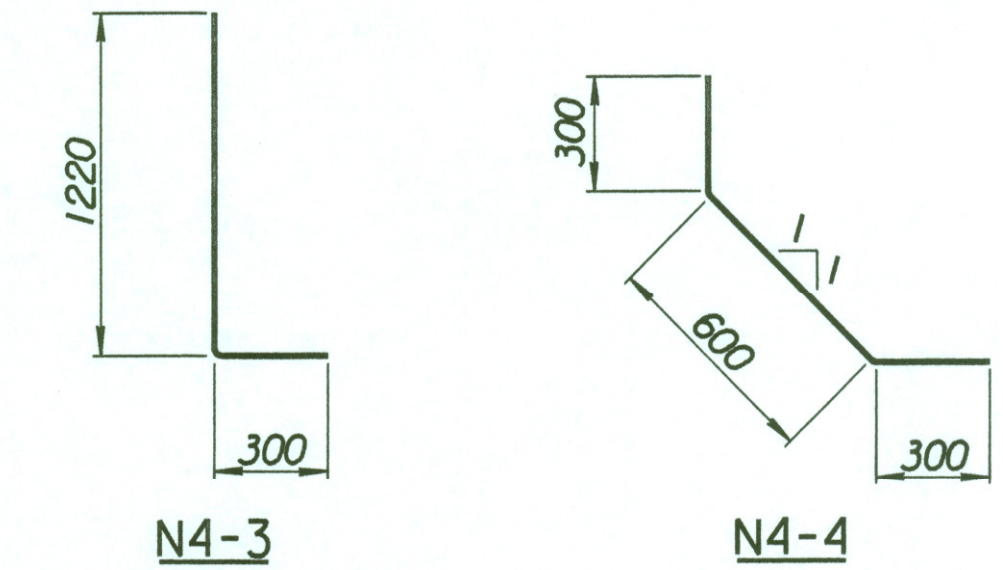
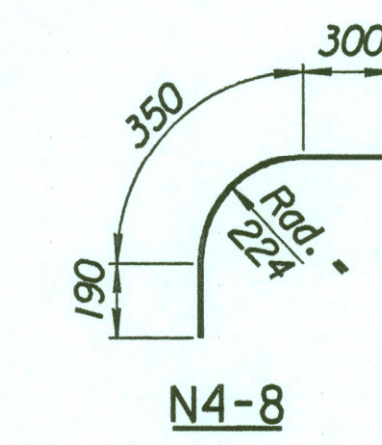
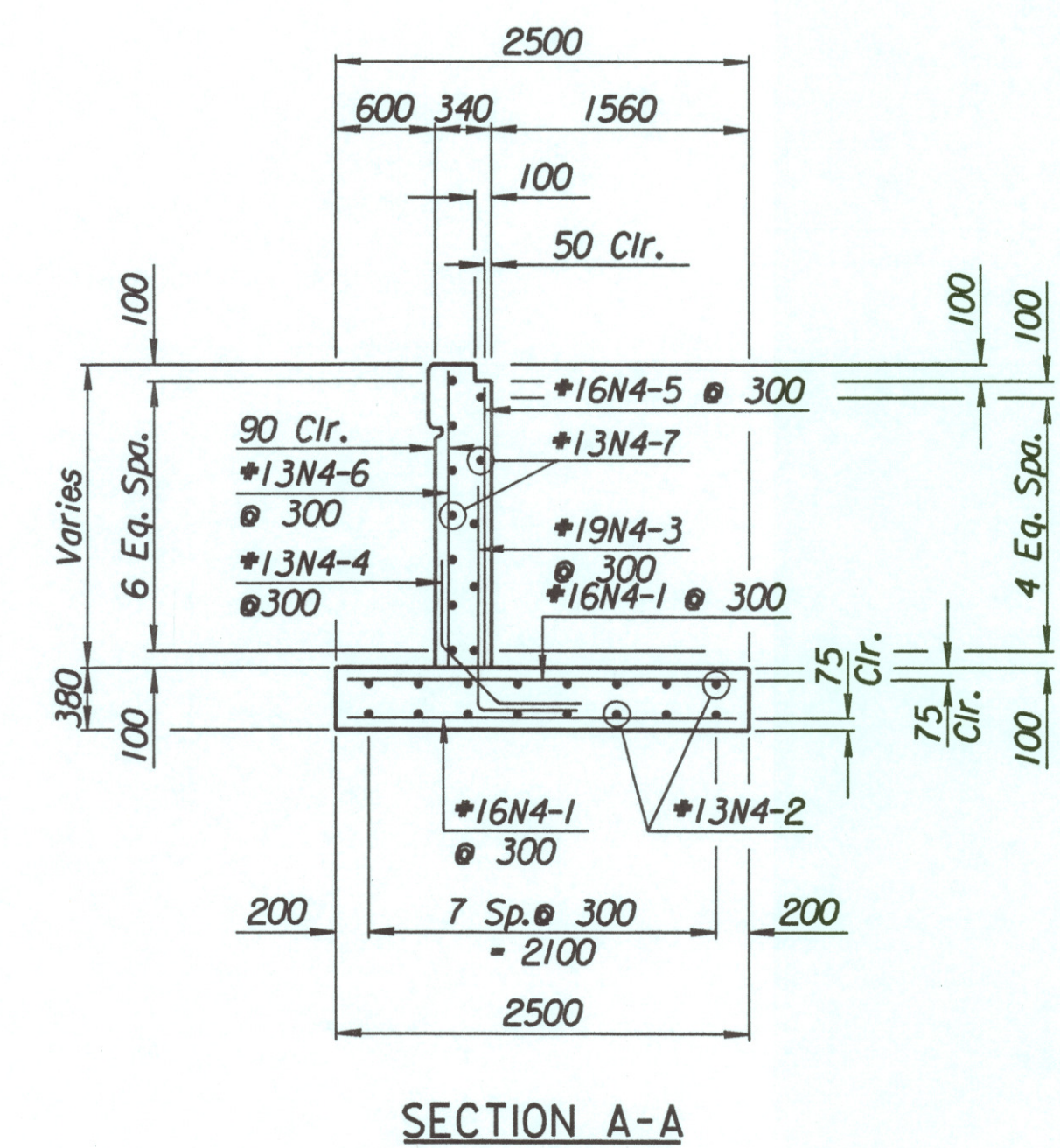
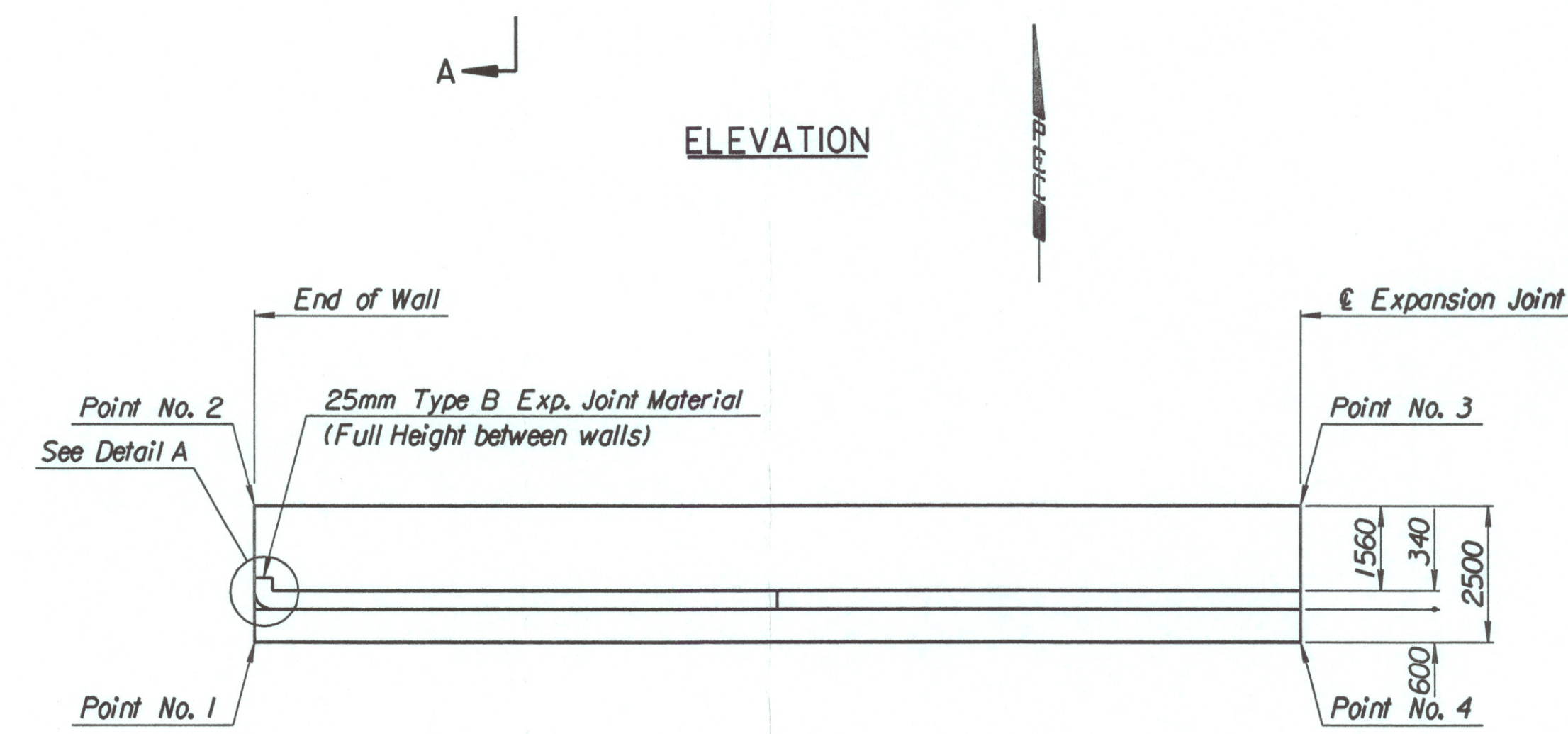
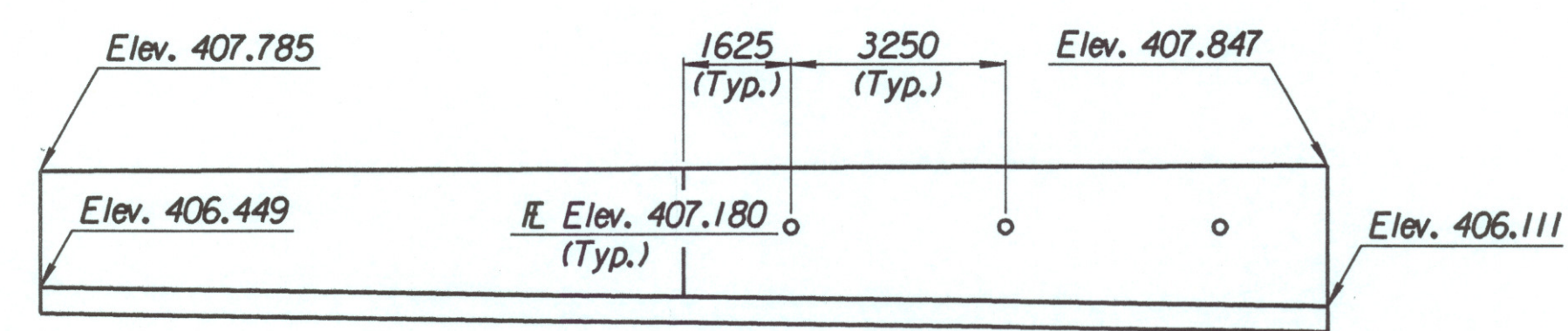
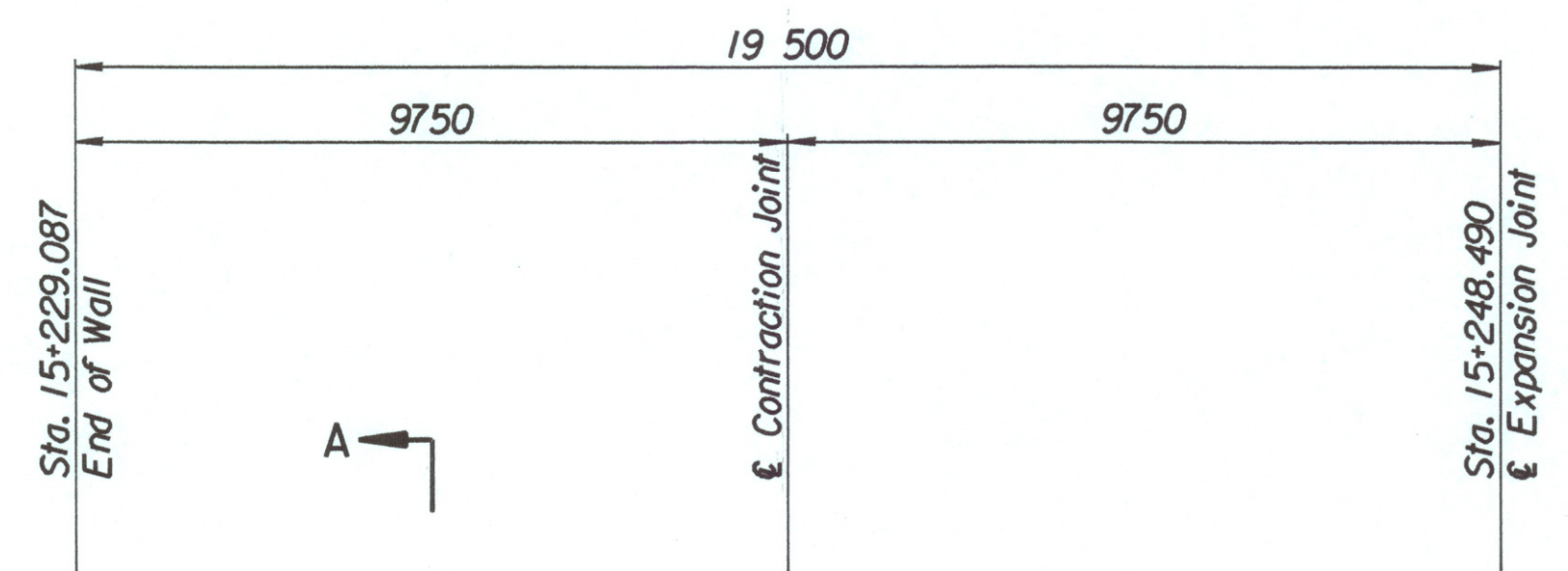


STATE	PROJECT NO.	YEAR	SHEET NO.	TOTAL SHEETS
KANSAS	54-87 K-6657-01	2002	315	1122

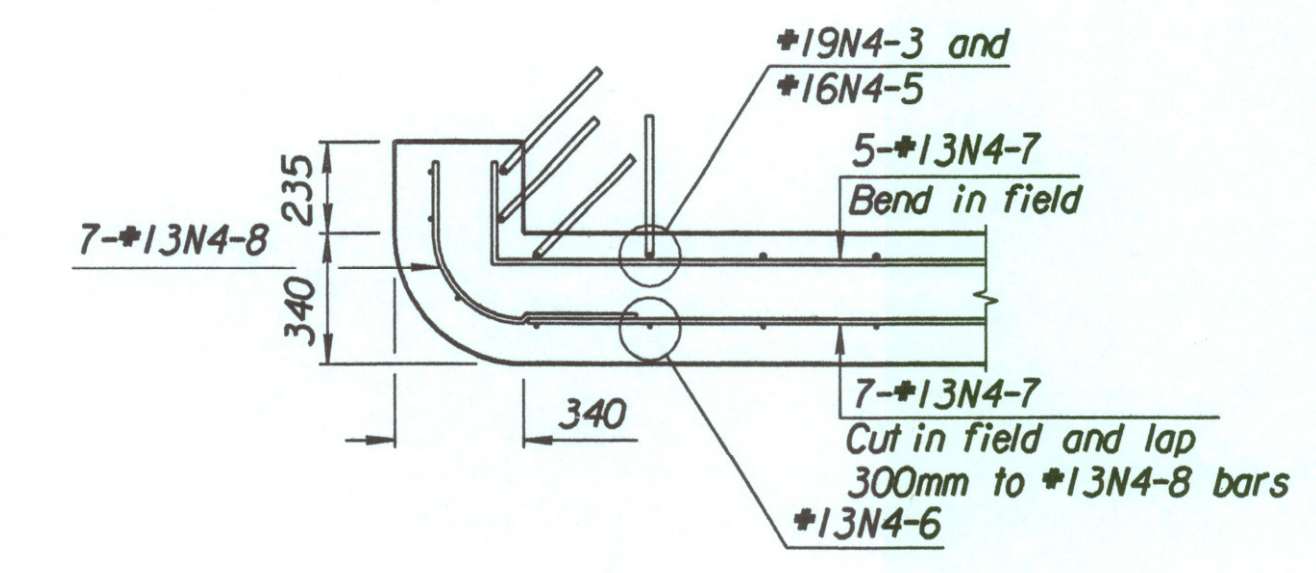
Point No.	North Coordinate	East Coordinate	Station	Offset
1	511315.234	491235.133	15+229.087	19.095 Rt.
2	511317.725	491234.923	15+229.087	16.595 Rt.
3	511319.411	491254.340	15+248.490	16.595 Rt.
4	511316.921	491254.563	15+248.490	19.095 Rt.

Straight Bars				Bent Bars			
Mark	Size	Number	Length	Mark	Size	Number	Length
N4-1	*16	132	315	N4-3	*19	67	1520
N4-2	*13	32	10 100	N4-4	*13	66	1200
N4-5	*16	67	Varies	N4-8	*13	7	840
N4-6	*13	68	Varies				
N4-7	*13	24	9650				

Item	Quantity	Unit
Concrete (Grade 30)(AE)	28.5	m ³
Reinforcing Steel (Grade 420)	1603	kg
Class III Excavation	27.2	m ³



BENDING DIAGRAMS
All dimensions are out to out of bars.



DETAIL A
Note: End of wall section has an additional 2-#13N4-6, 1-#19 N4-3 and 1-#16N4-5.

Drawn by: wll
 Plotted by: drp 3-25-2002
 i:\1997\97-362\001\bridge\maizerd\SWwall-13

No.	Revisions	By	Date
CITY OF WICHITA			
MAIZE SOUTHWEST WALL			
STA. 15+229.087 TO STA. 15+248.490			
SEDGWICK COUNTY			
Professional Engineering Consultants, P.A. 303 S. TOPEKA • WICHITA, KANSAS 67202 316-262-2691 • FAX 316-262-3003			
Designed by	P.D.F.	Checked by	R.A.S.
Drawn by	W.L.L.	Date	Apr. 2002
		Job No.	97362