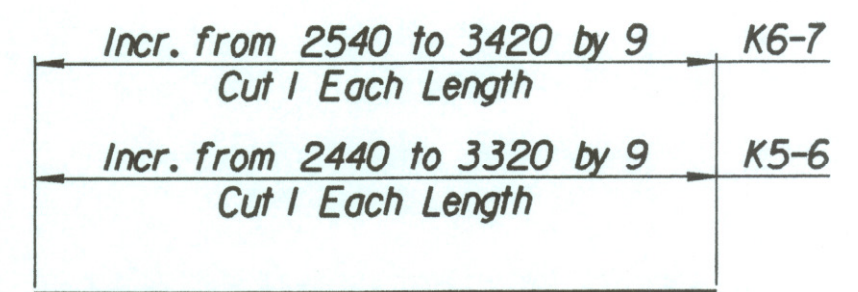
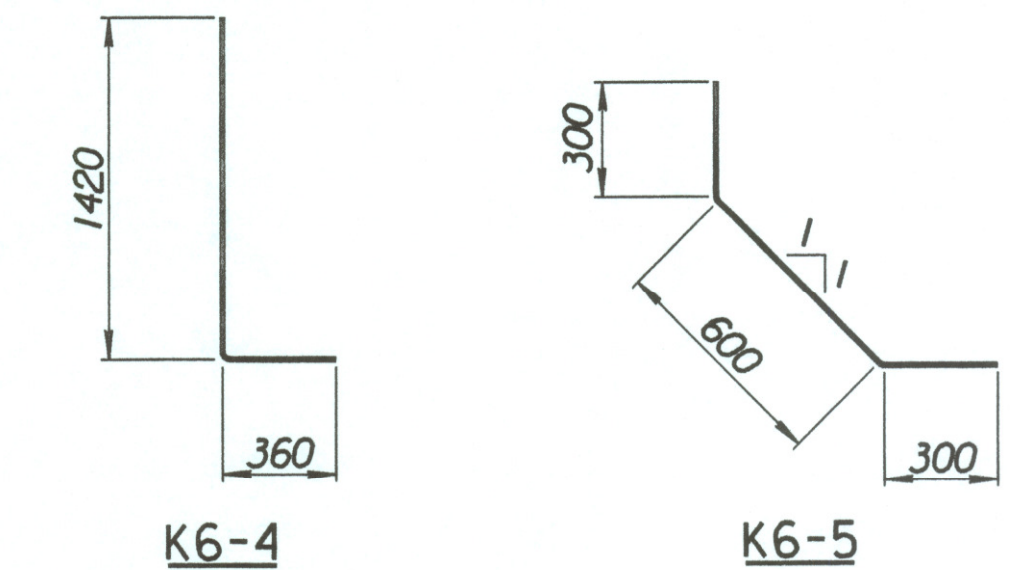


STATE	PROJECT NO.	YEAR	SHEET NO.	TOTAL SHEETS
KANSAS	54-87 K-6657-01	2002	337	1122

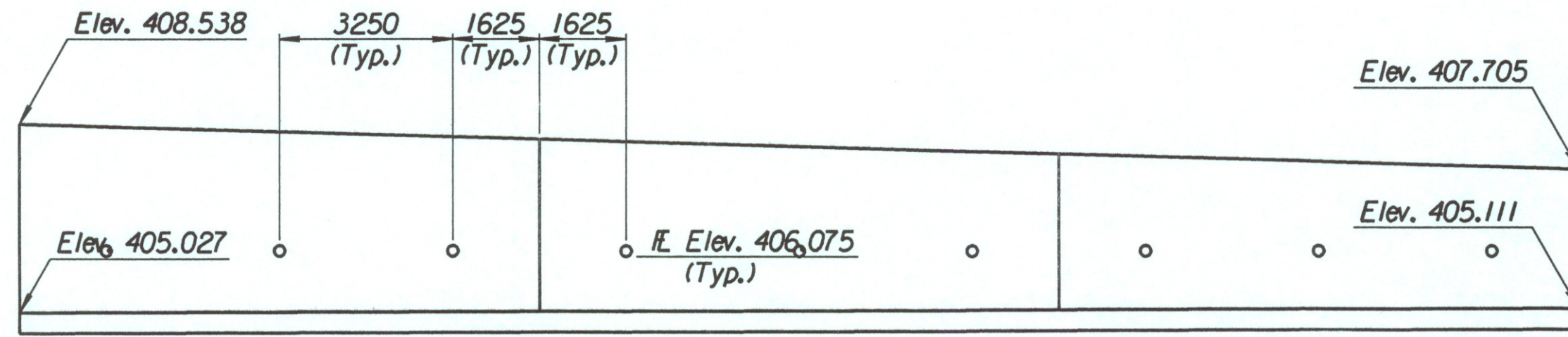
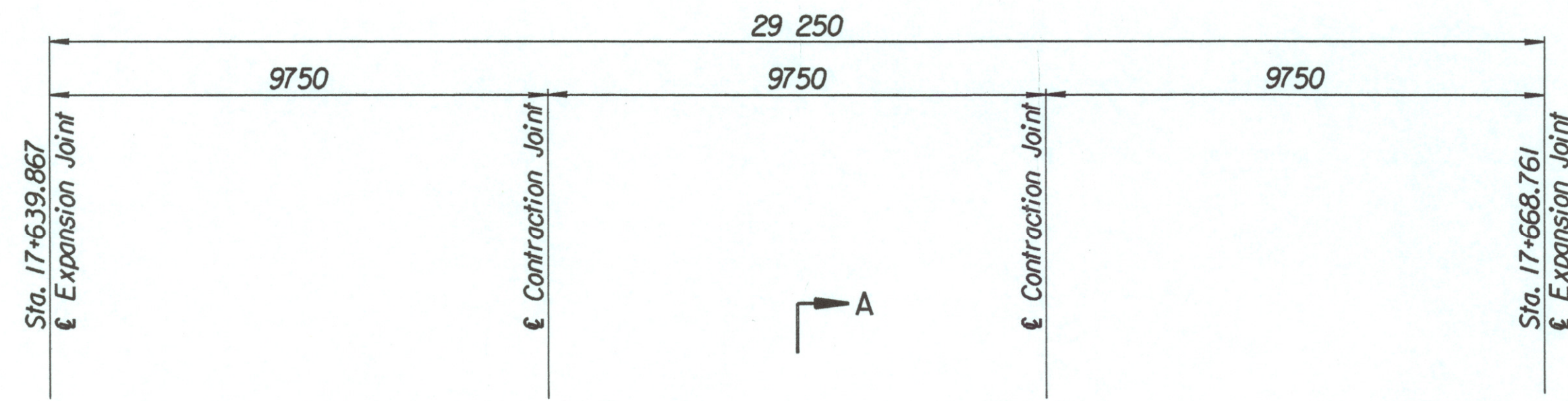
LAYOUT INFORMATION				
Point No.	North Coordinate	East Coordinate	Station	Offset
1	512138.404	493490.459	17+639.867	14.795 Lt.
2	512142.777	493489.033	17+639.867	19.395 Lt.
3	512151.579	493516.945	17+668.761	19.395 Lt.
4	512147.179	493518.286	17+668.761	14.795 Lt.

REINFORCING STEEL							
Straight Bars			Bent Bars				
Mark	Size	Number	Length	Mark	Size	Number	Length
K6-1	*16	99	4520	K6-4	*22	195	1780
K6-2	*22	147	4520	K6-5	*16	99	1200
K6-3	*13	60	14 960				
K6-6	*16	99	Varies				
K6-7	*13	99	Varies				
K6-8	*13	69	9650				

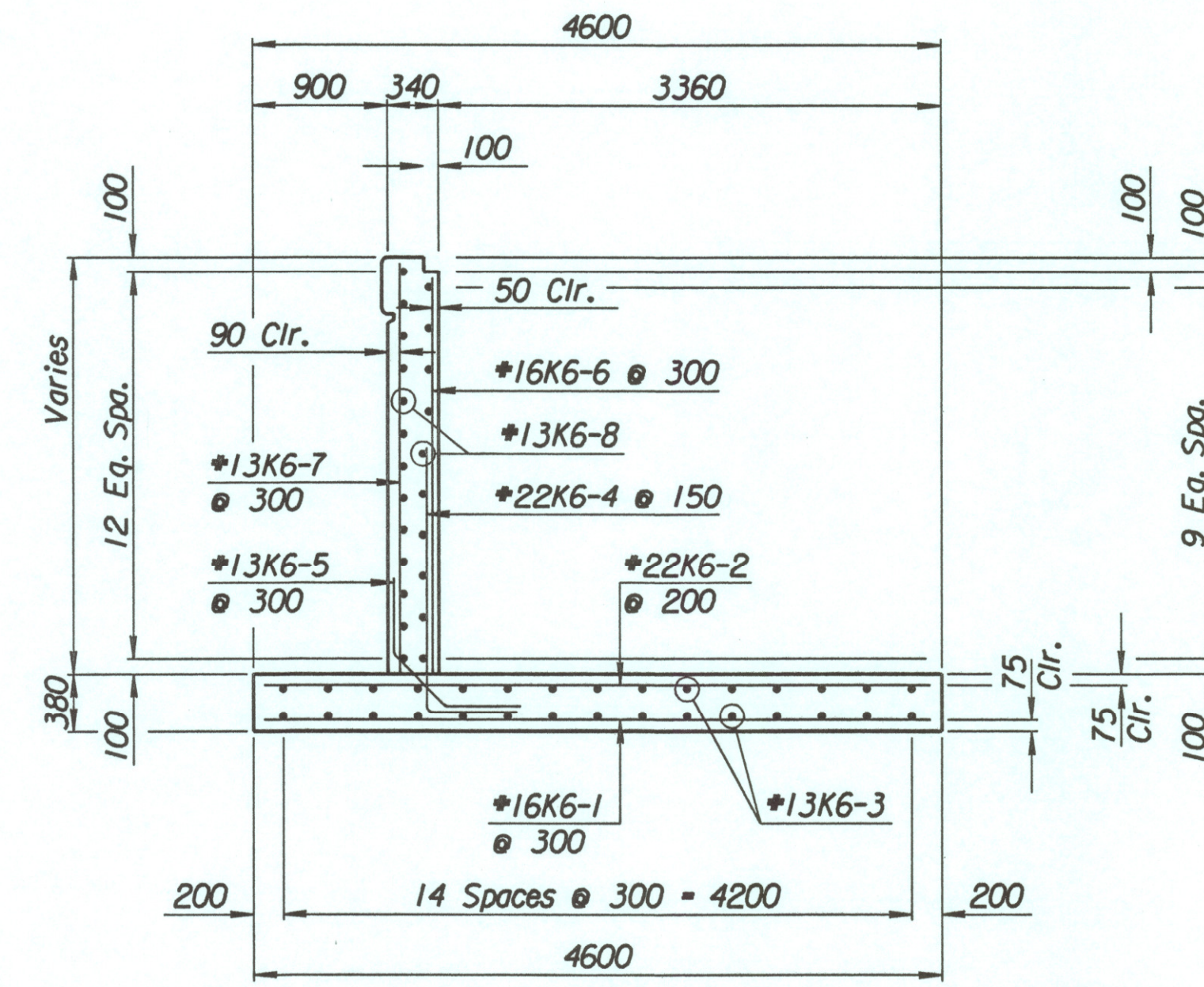
WALL QUANTITIES		
Item	Quantity	Unit
Concrete (Grade 30/AE)	81.2	m ³
Reinforcing Steel (Grade 420)	6246	kg
Class III Excavation	66.5	m ³



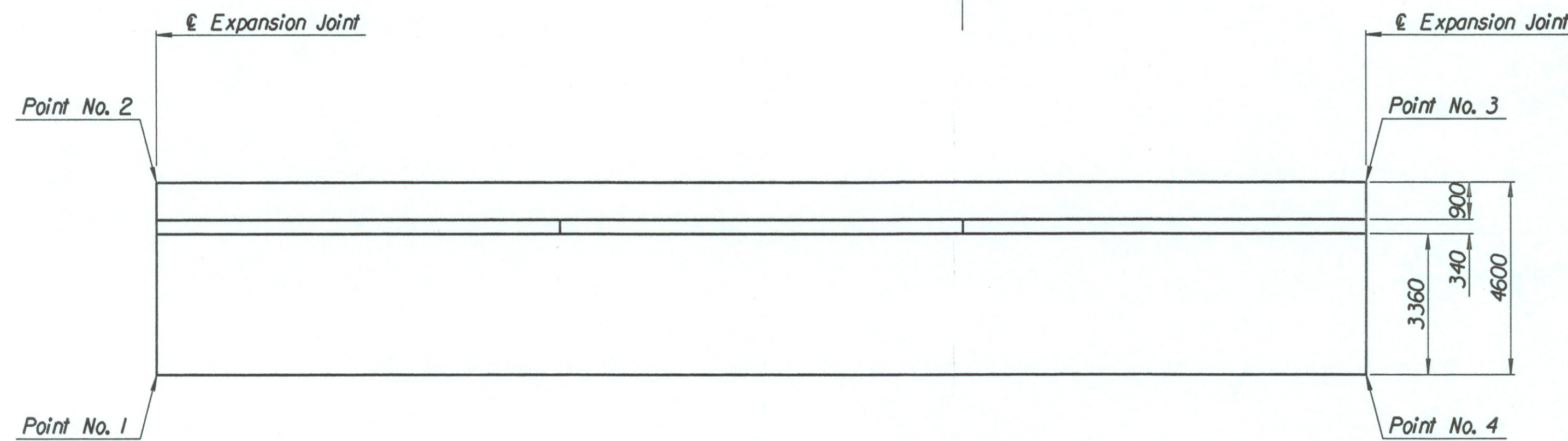
BENDING DIAGRAMS
All dimensions are out to out of bars.



ELEVATION



SECTION A-A



PLAN

Drawn by: wll
Plotted by: drp 4-11-2002
i:/1997/97362/001/bridge/tylernd/NEWall-10

No.	Revisions	By	Date
CITY OF WICHITA			
TYLER NORTHEAST WALL			
STA. 17+639.867 TO STA. 17+668.761			
SEDGWICK COUNTY			
Professional Engineering Consultants, P.A. 303 S. TOPEKA • WICHITA, KANSAS 67202 316-262-2691 • FAX 316-262-3003			
Designed by	P.D.F.	Checked by	R.A.S.
Drawn by	W.L.L.	Date	April, 2002 Job No. 97362