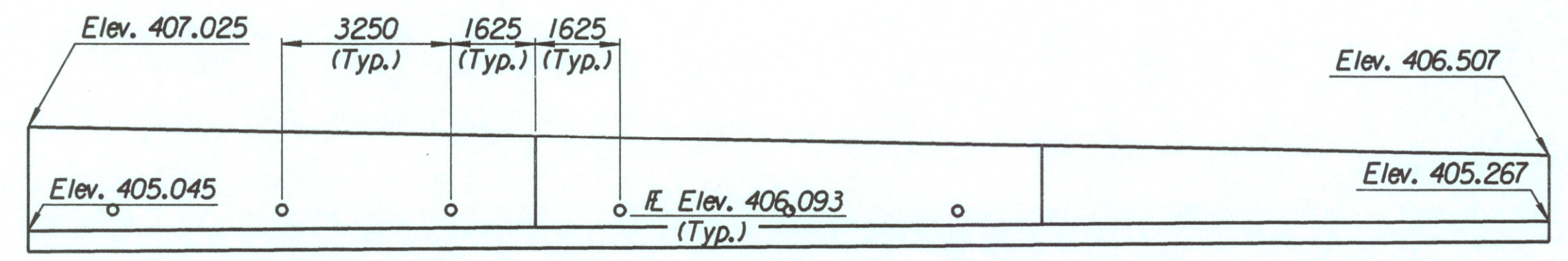
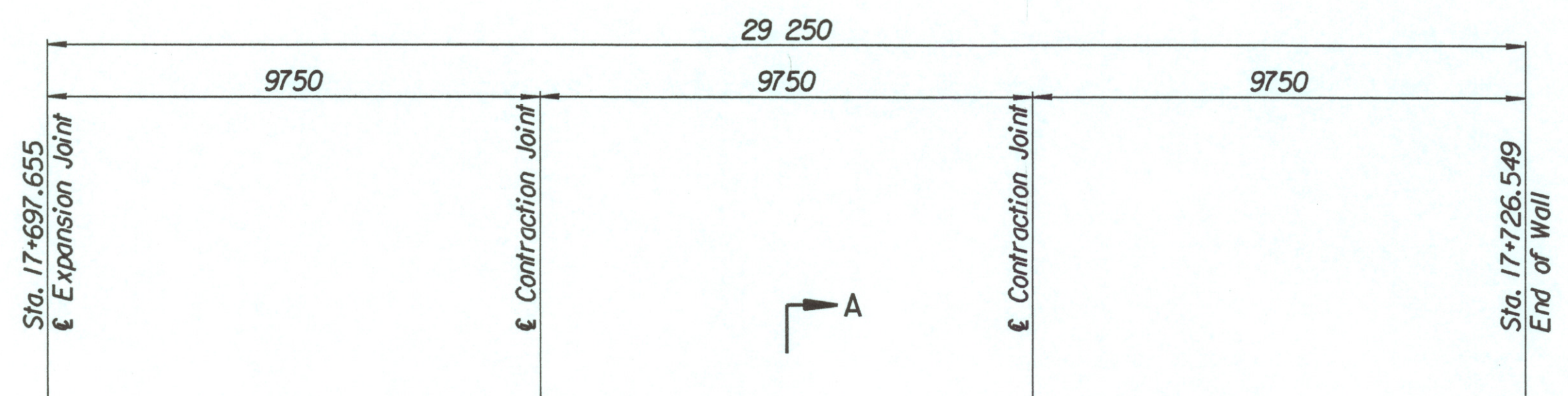


STATE	PROJECT NO.	YEAR	SHEET NO.	TOTAL SHEETS
KANSAS	54-87 K-6657-01	2002	339	1122

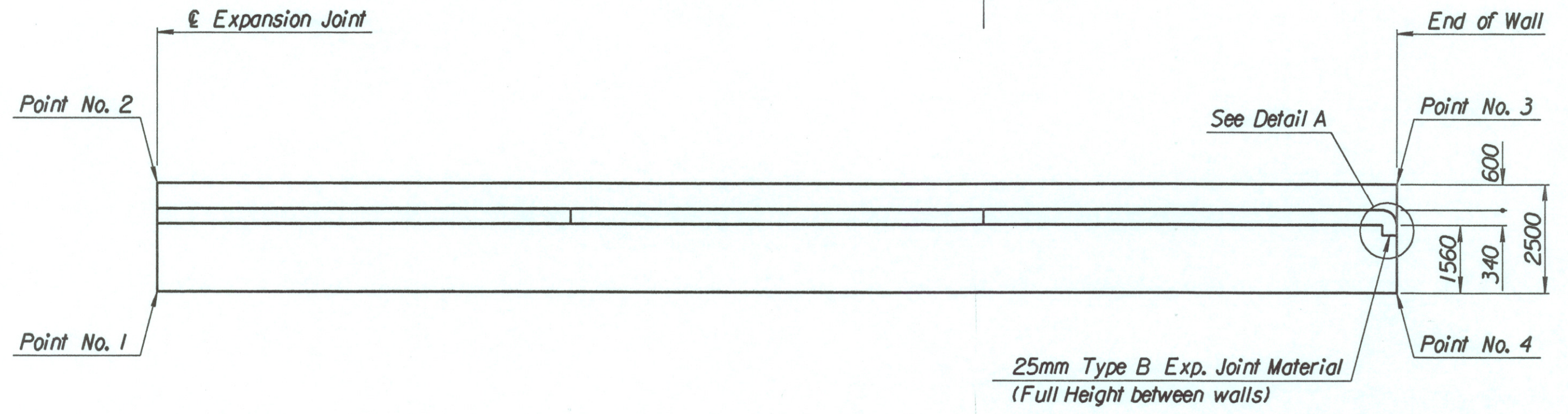
LAYOUT INFORMATION				
Point No.	North Coordinate	East Coordinate	Station	Offset
1	512157.148	493545.787	17+697.655	16,595 Lt.
2	512159.553	493545.104	17+697.655	19,095 Lt.
3	512167.439	493573.285	17+726.549	19,269 Lt.
4	512165.022	493573.921	17+726.549	16,769 Lt.

REINFORCING STEEL							
Straight Bars				Bent Bars			
Mark	Size	Number	Length	Mark	Size	Number	Length
M6-1	*16	198	2420	M6-3	*19	100	1520
M6-2	*13	32	14 960	M6-4	*13	99	1200
M6-5	*16	100	Varies	M6-8	*13	7	840
M6-6	*13	101	Varies				
M6-7	*13	36	9650				

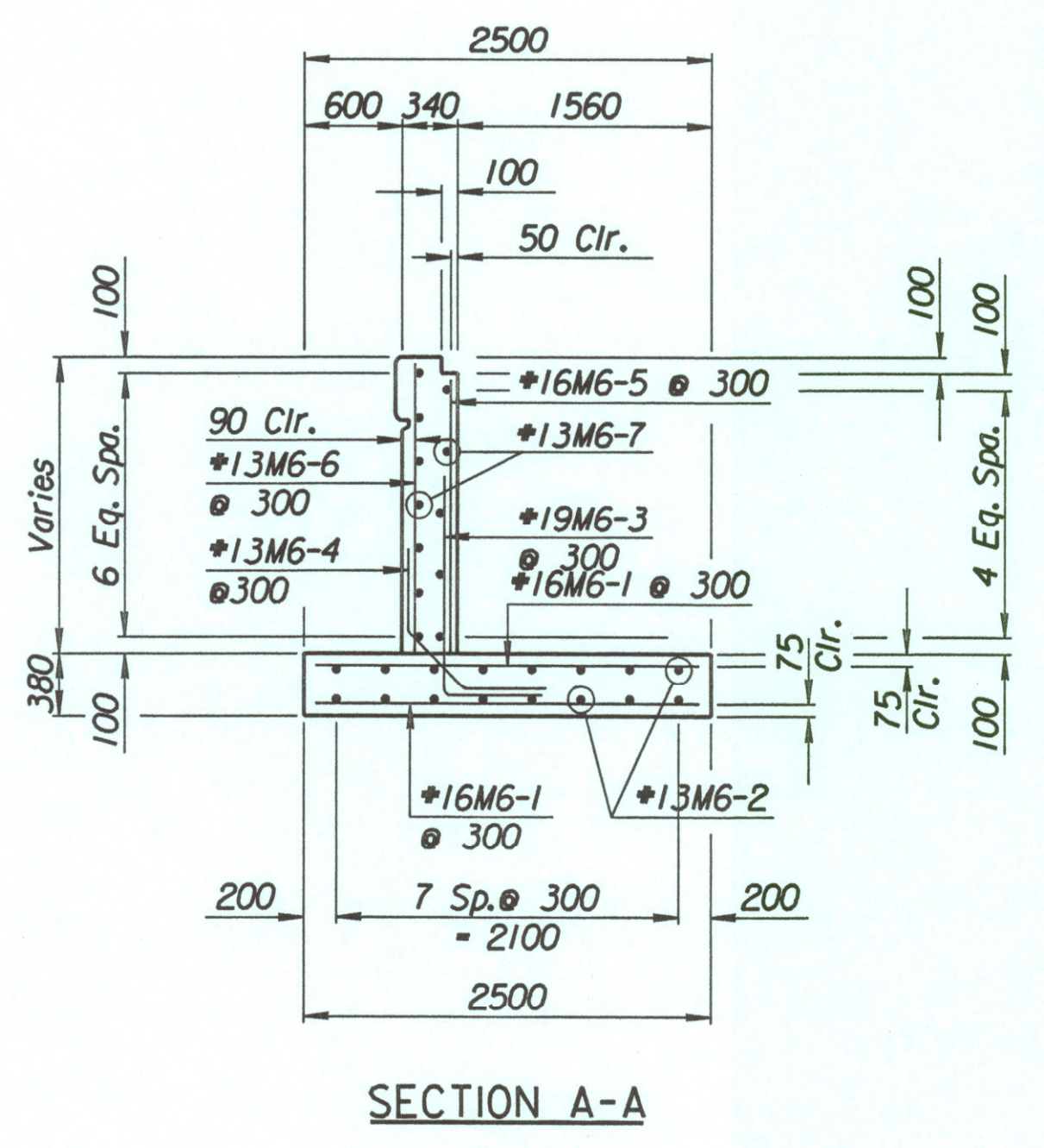
WALL QUANTITIES		
Item	Quantity	Unit
Concrete (Grade 30(AE))	43.5	m ³
Reinforcing Steel (Grade 420)	2404	kg
Class III Excavation	25.9	m ³



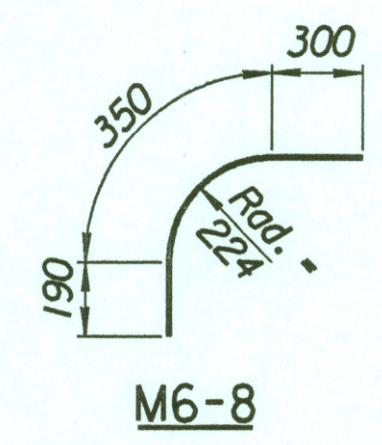
ELEVATION



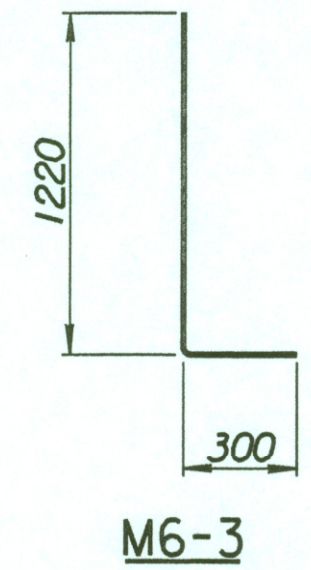
PLAN



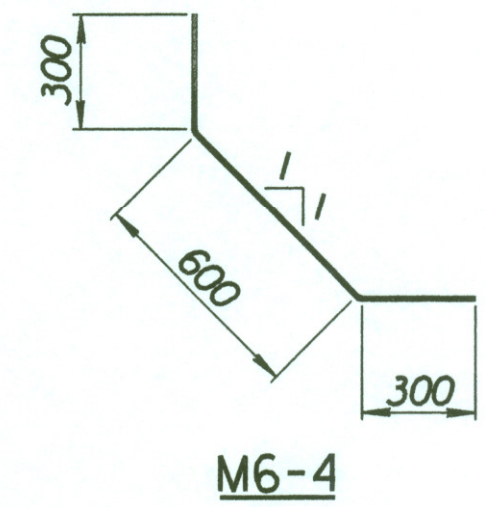
SECTION A-A



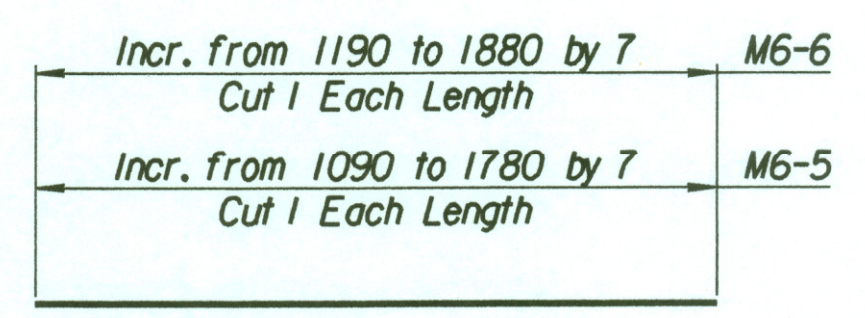
M6-8



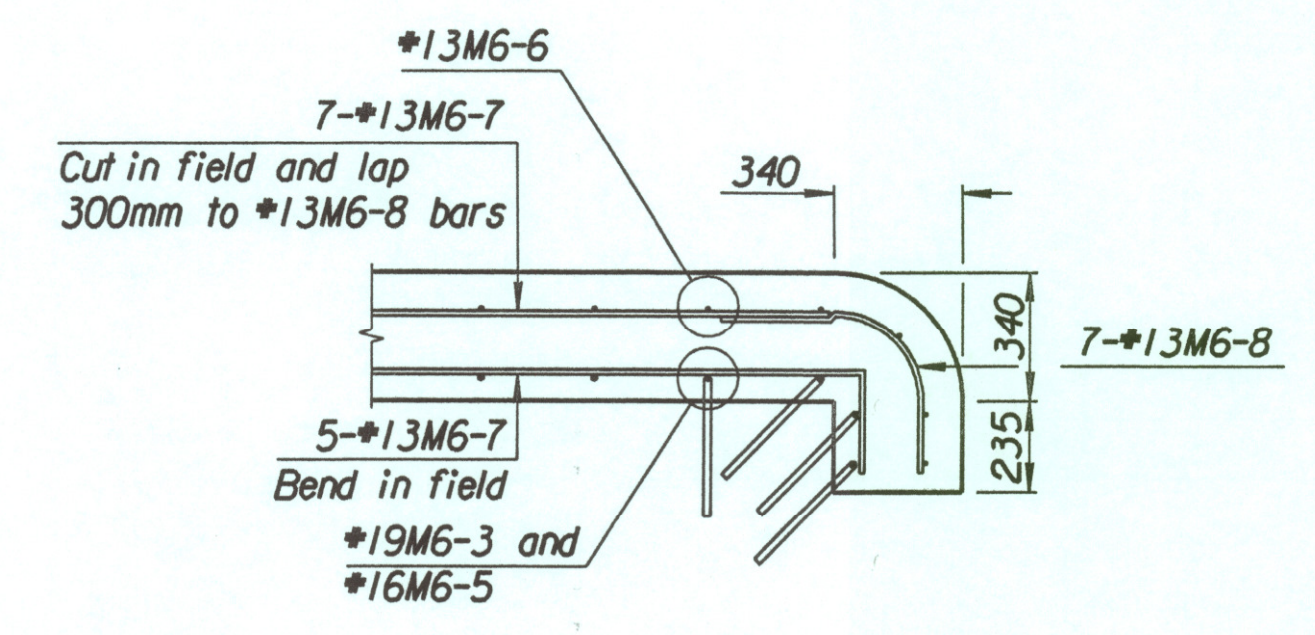
M6-3



M6-4



BENDING DIAGRAMS
All dimensions are out to out of bars.



DETAIL A

Note: End of wall section has an additional 2-*13M6-6, 1-*19M6-3 and 1-*16M6-5.

Drawn by: will
 Plotted by: drp 4-11-2002
 is:/1997/97362/001/bridge/tylerd/NEWall-12

No.	Revisions	By	Date
CITY OF WICHITA			
TYLER NORTHEAST WALL STA. 17+697.655 TO STA. 17+726.549 SEDGWICK COUNTY			
Professional Engineering Consultants, P.A. <small>303 S. TOPEKA • WICHITA, KANSAS 67202 316-262-2691 • FAX 316-262-3003</small>			
Designed by	P.D.F.	Checked by	R.A.S.
Drawn by	W.L.L.	Date	April, 2002
		Job No.	97362