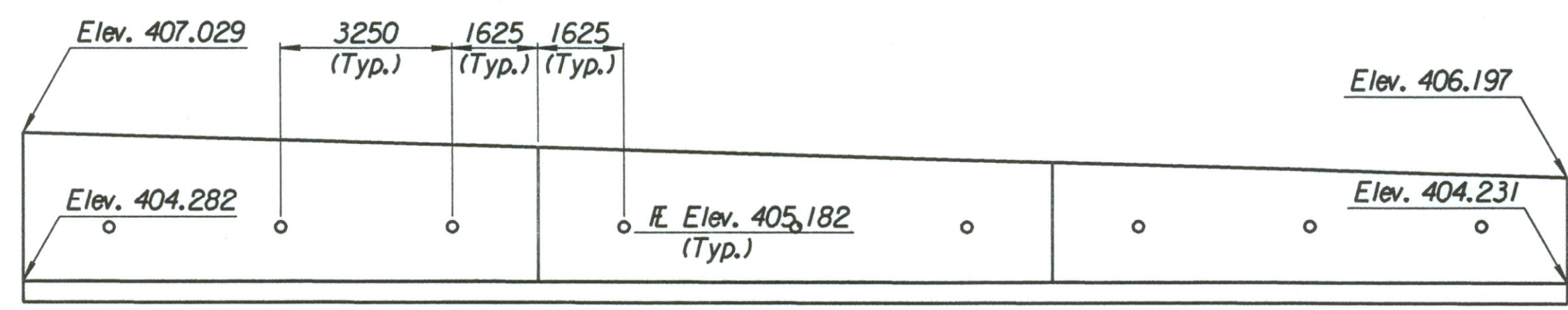
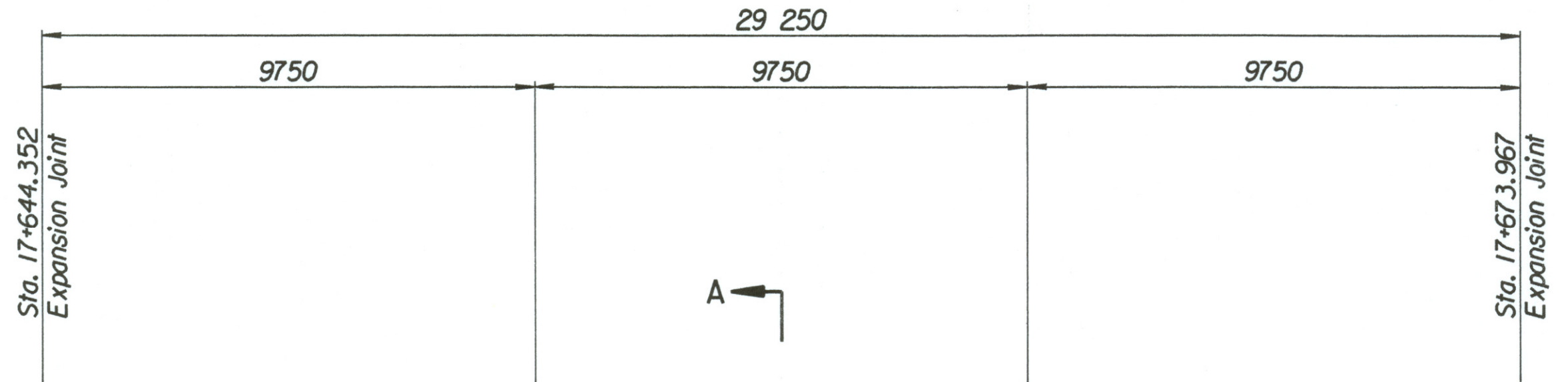


STATE	PROJECT NO.	YEAR	SHEET NO.	TOTAL SHEETS
KANSAS	54-87 K-6657-01	2002	349	1122

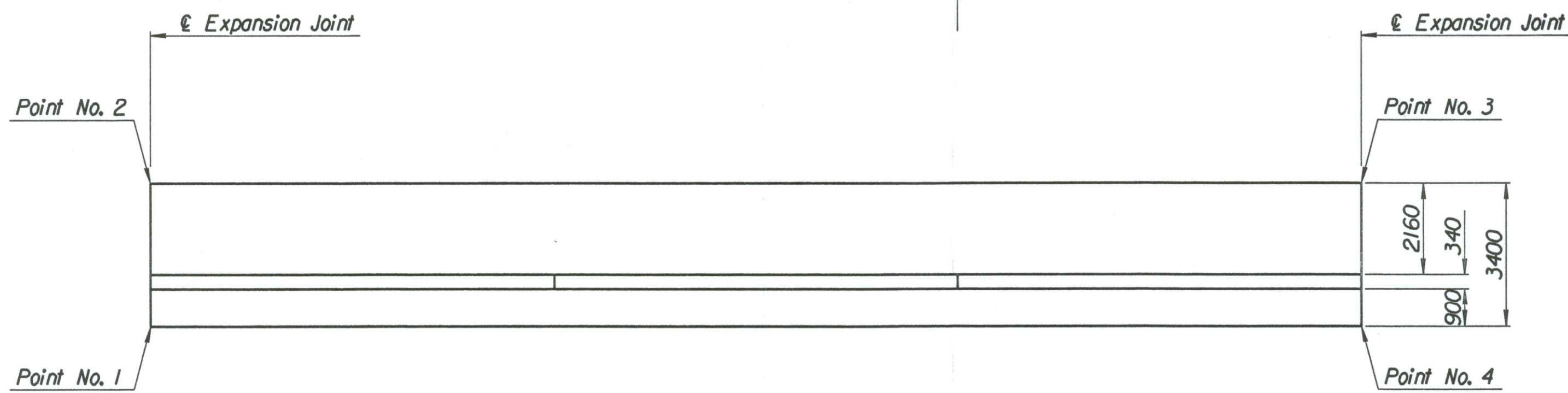
LAYOUT INFORMATION				
Point No.	North Coordinate	East Coordinate	Station	Offset
1	512107.263	493505.265	17+644.352	19.395 Rt.
2	512110.498	493504.221	17+644.352	15.995 Rt.
3	512119.219	493532.192	17+673.967	15.995 Rt.
4	512115.963	493533.172	17+673.967	19.395 Rt.

REINFORCING STEEL							
Straight Bars				Bent Bars			
Mark	Size	Number	Length	Mark	Size	Number	Length
K7-1	*16	246	3320	K7-3	*16	195	1350
K7-2	*13	44	14960	K7-4	*13	99	1200
K7-5	*16	99	Varies				
K7-6	*13	99	Varies				
K7-7	*13	54	9650				

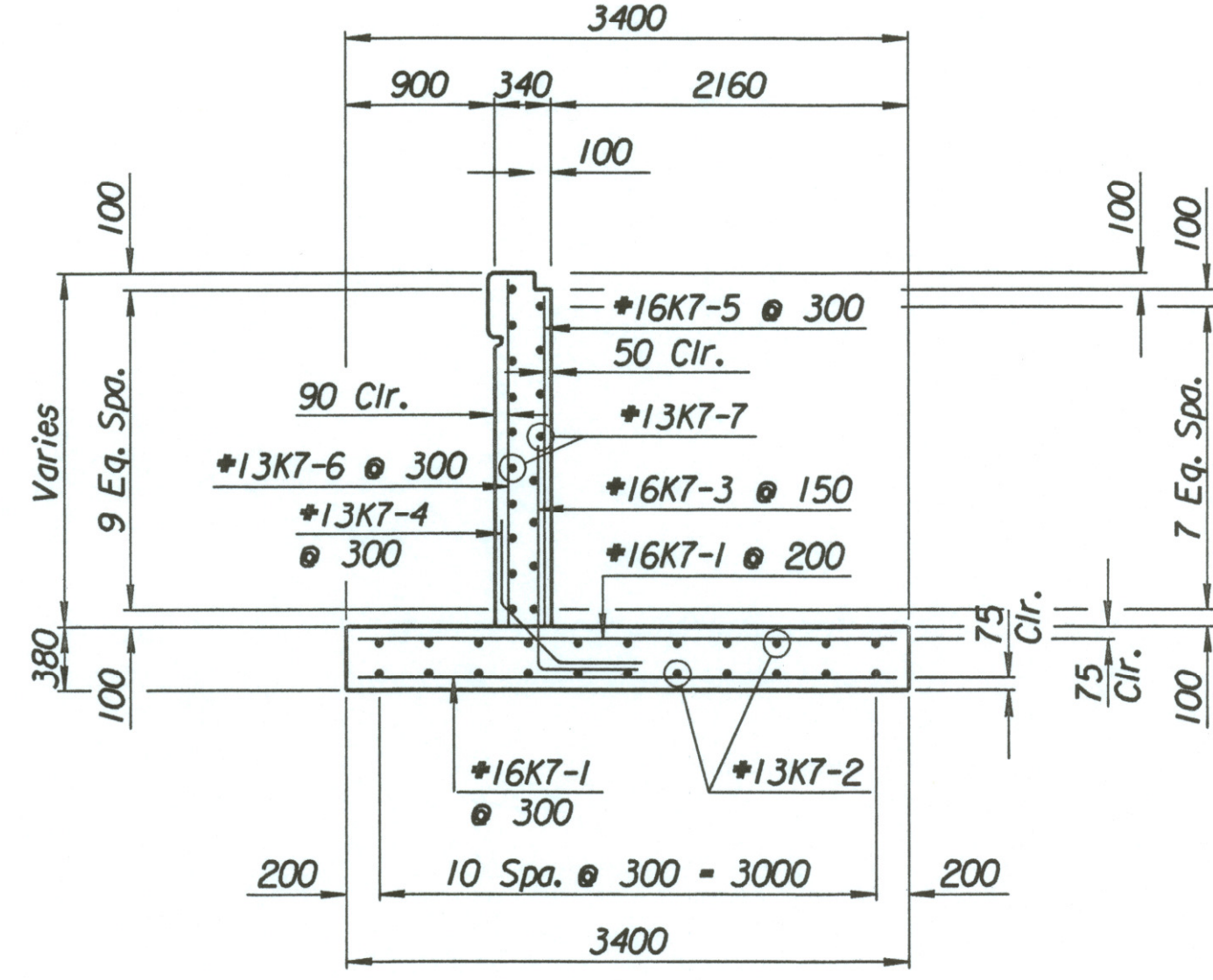
WALL QUANTITIES		
Item	Quantity	Unit
Concrete (Grade 30)(AE)	60.9	m <sup>3</sup>
Reinforcing Steel (Grade 420)	3531	kg
Class III Excavation	177.7	m <sup>3</sup>



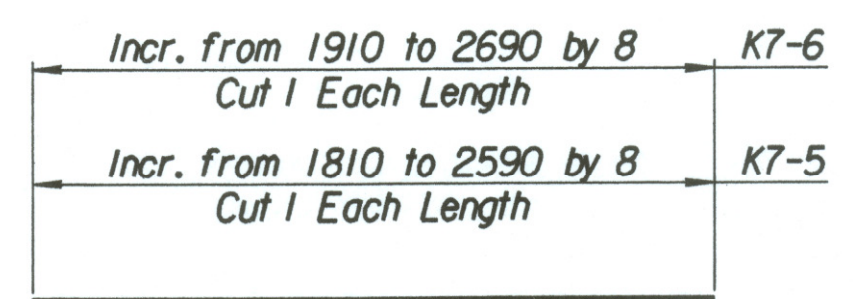
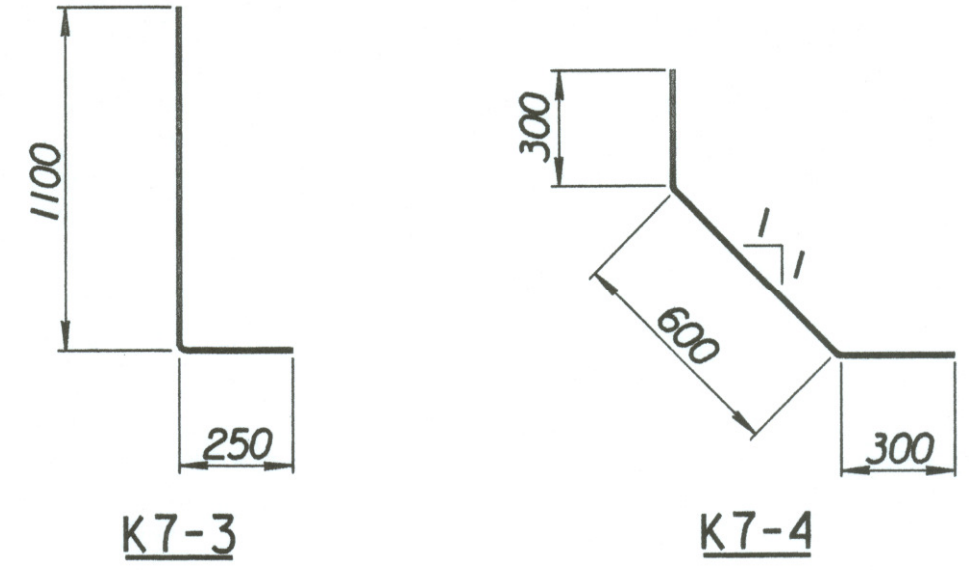
ELEVATION



PLAN



SECTION A-A



BENDING DIAGRAMS  
All dimensions are out to out of bars.

Drawn by: will  
 Plotted by: drp 3-22-2002  
 i:/1997/97362/001/bridge/tylerrd/SEWall-10

No.	Revisions	By	Date

CITY OF WICHITA

**TYLER SOUTHEAST WALL**  
 STA. 17+644.352 TO STA. 17+673.967  
 SEDGWICK COUNTY

**Professional Engineering Consultants, P.A.**  
 303 S. TOPEKA • WICHITA, KANSAS 67202  
 316-262-2691 • FAX 316-262-3003

Designed by	P.D.F.	Checked by	R.A.S.
Drawn by	W.L.L.	Date	Apr 11, 2002
		Job No.	97362