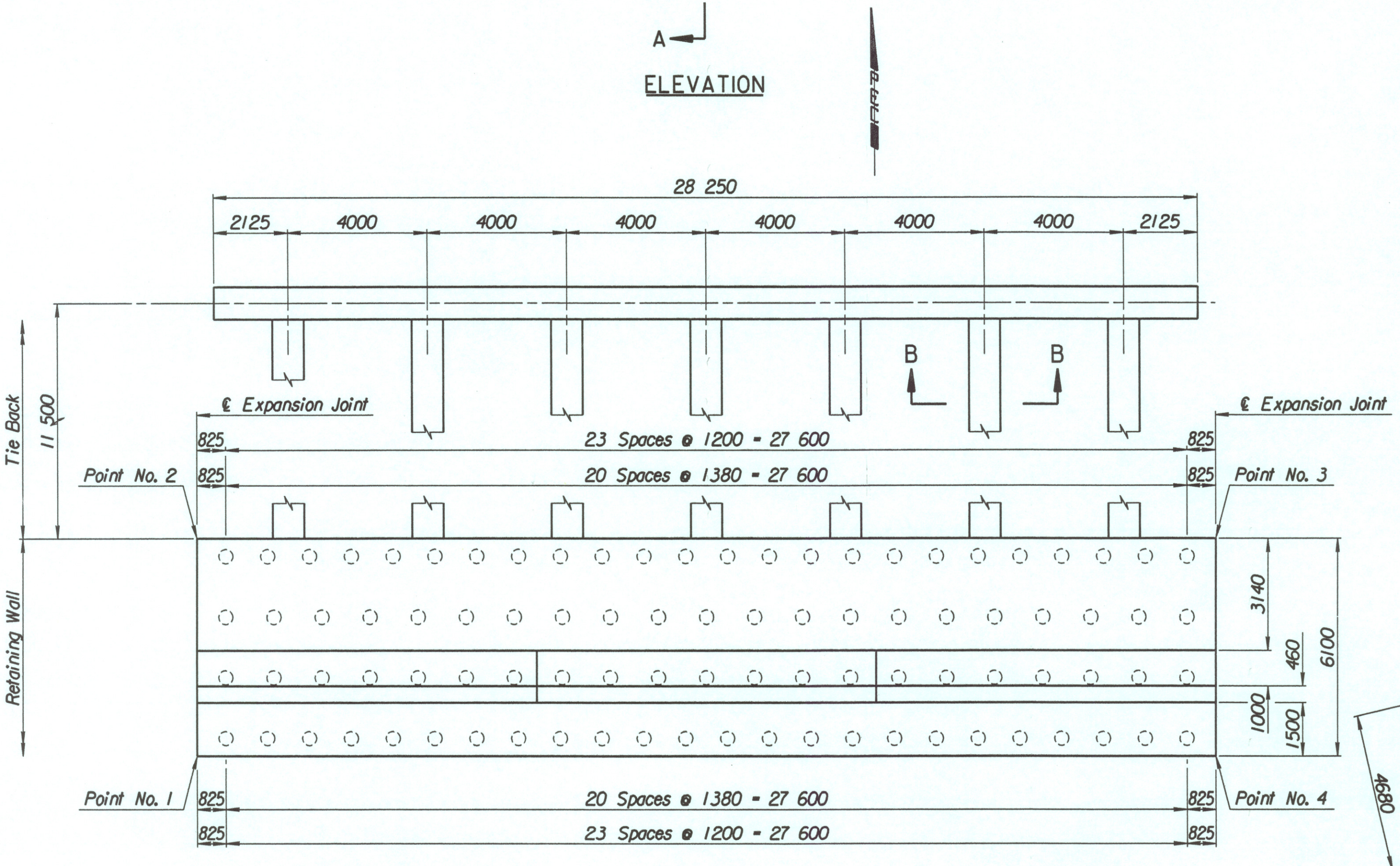
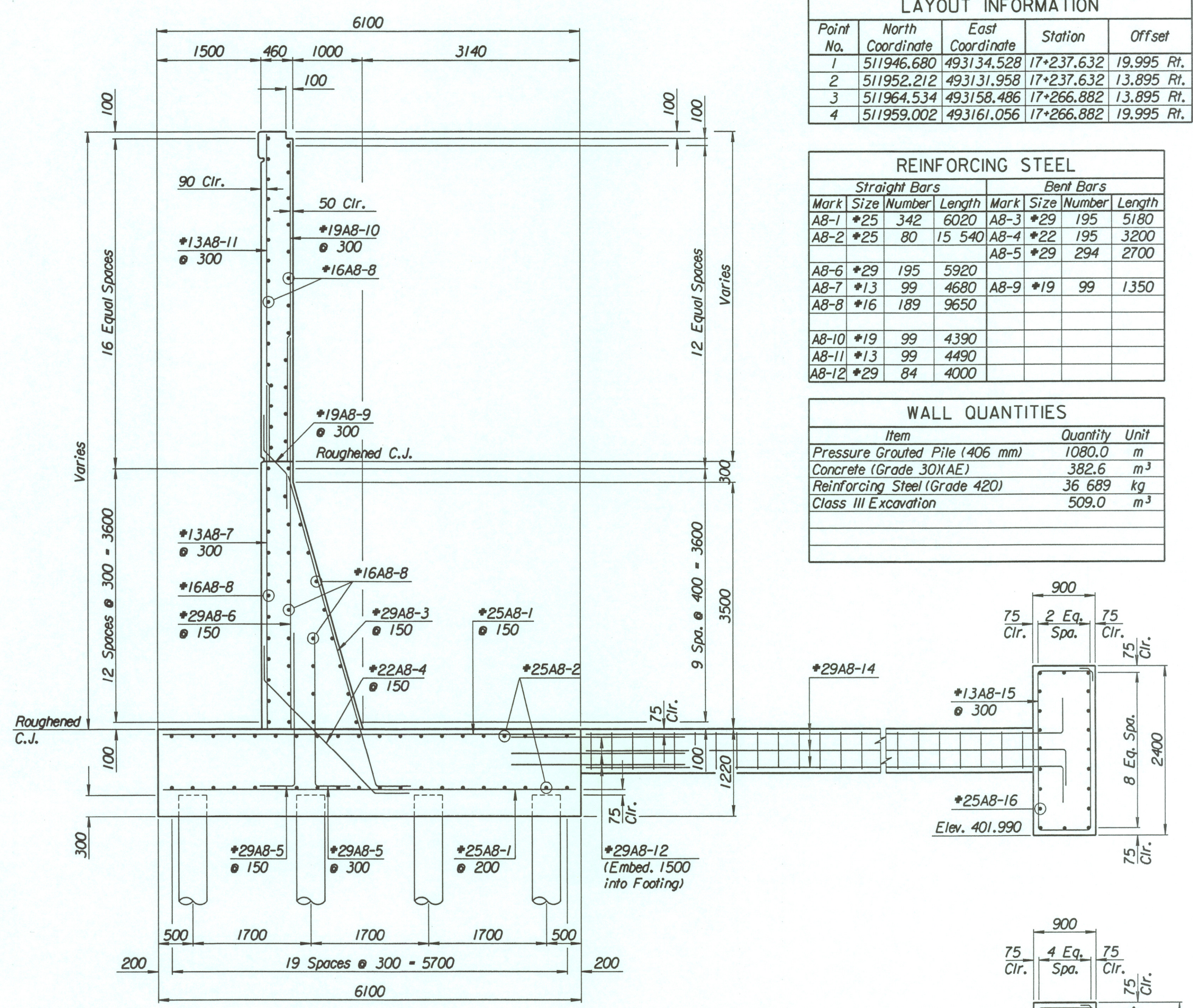
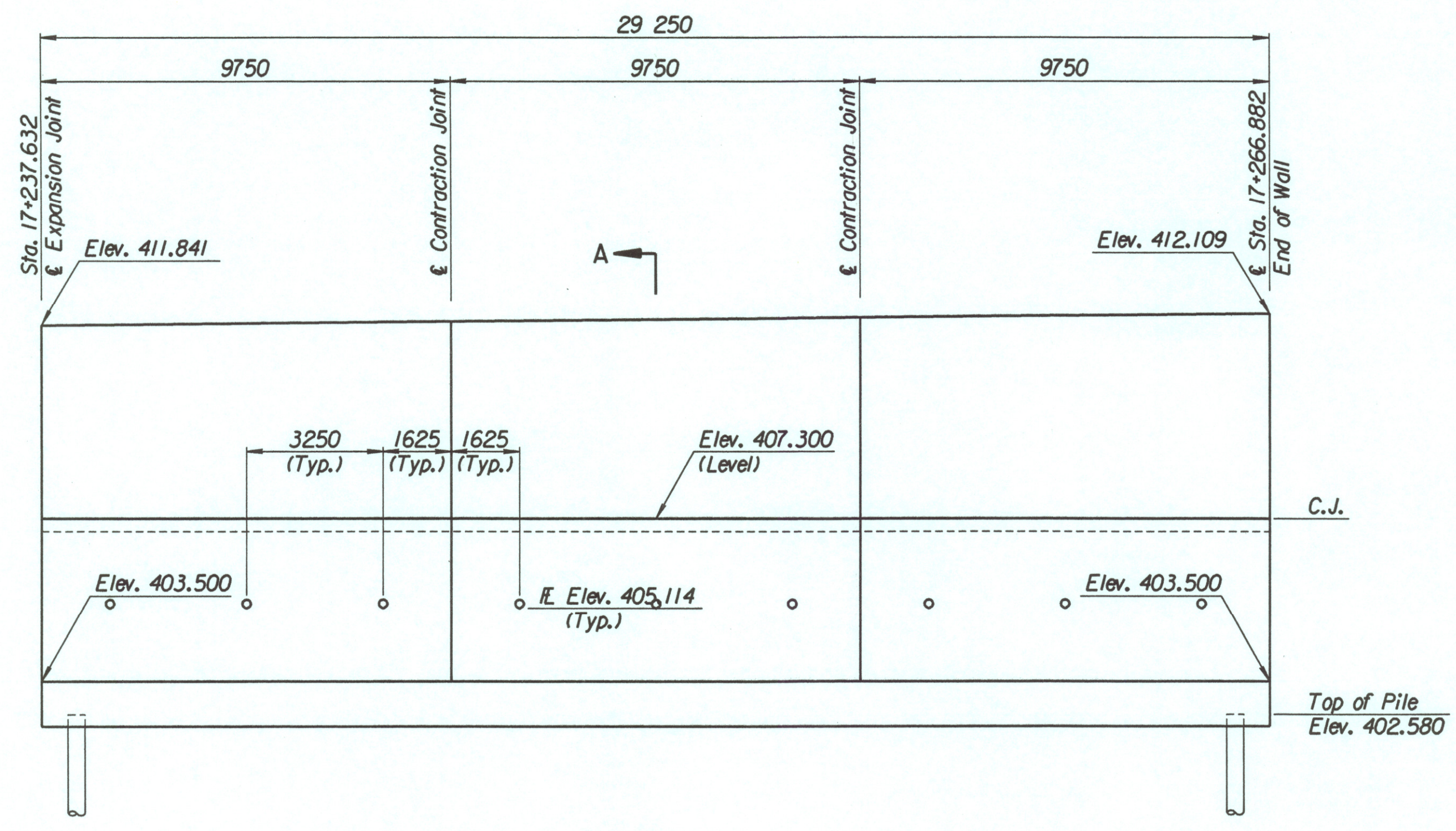


STATE	PROJECT NO.	YEAR	SHEET NO.	TOTAL SHEETS
KANSAS	54-87 K-6657-01	2002	351	1122

LAYOUT INFORMATION				
Point No.	North Coordinate	East Coordinate	Station	Offset
1	511946.680	493134.528	17+237.632	19.995 Rt.
2	511952.212	493131.958	17+237.632	13.895 Rt.
3	511964.534	493158.486	17+266.882	13.895 Rt.
4	511959.002	493161.056	17+266.882	19.995 Rt.

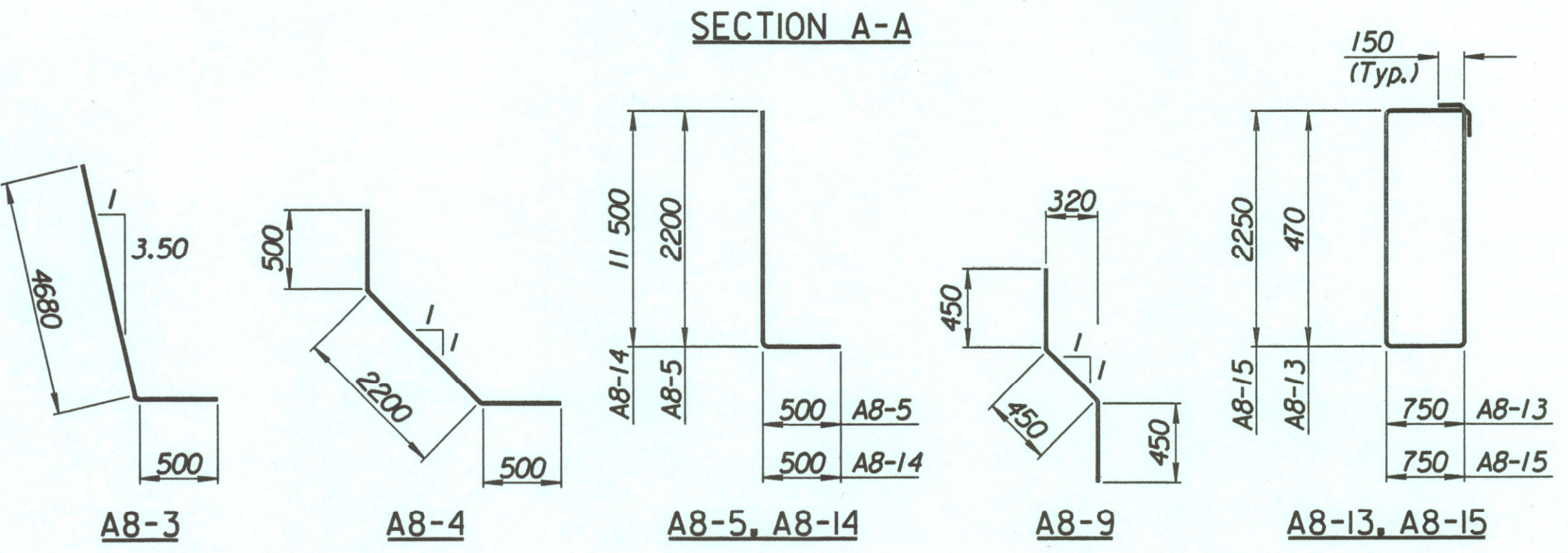
REINFORCING STEEL							
Straight Bars				Bent Bars			
Mark	Size	Number	Length	Mark	Size	Number	Length
A8-1	*25	342	6020	A8-3	*29	195	5180
A8-2	*25	80	15 540	A8-4	*22	195	3200
A8-6	*29	195	5920	A8-5	*29	294	2700
A8-7	*13	99	4680	A8-9	*19	99	1350
A8-8	*16	189	9650				
A8-10	*19	99	4390				
A8-11	*13	99	4490				
A8-12	*29	84	4000				

WALL QUANTITIES		
Item	Quantity	Unit
Pressure Grouted Pile (406 mm)	1080.0	m
Concrete (Grade 30(AE))	382.6	m <sup>3</sup>
Reinforcing Steel (Grade 420)	36 689	kg
Class III Excavation	509.0	m <sup>3</sup>

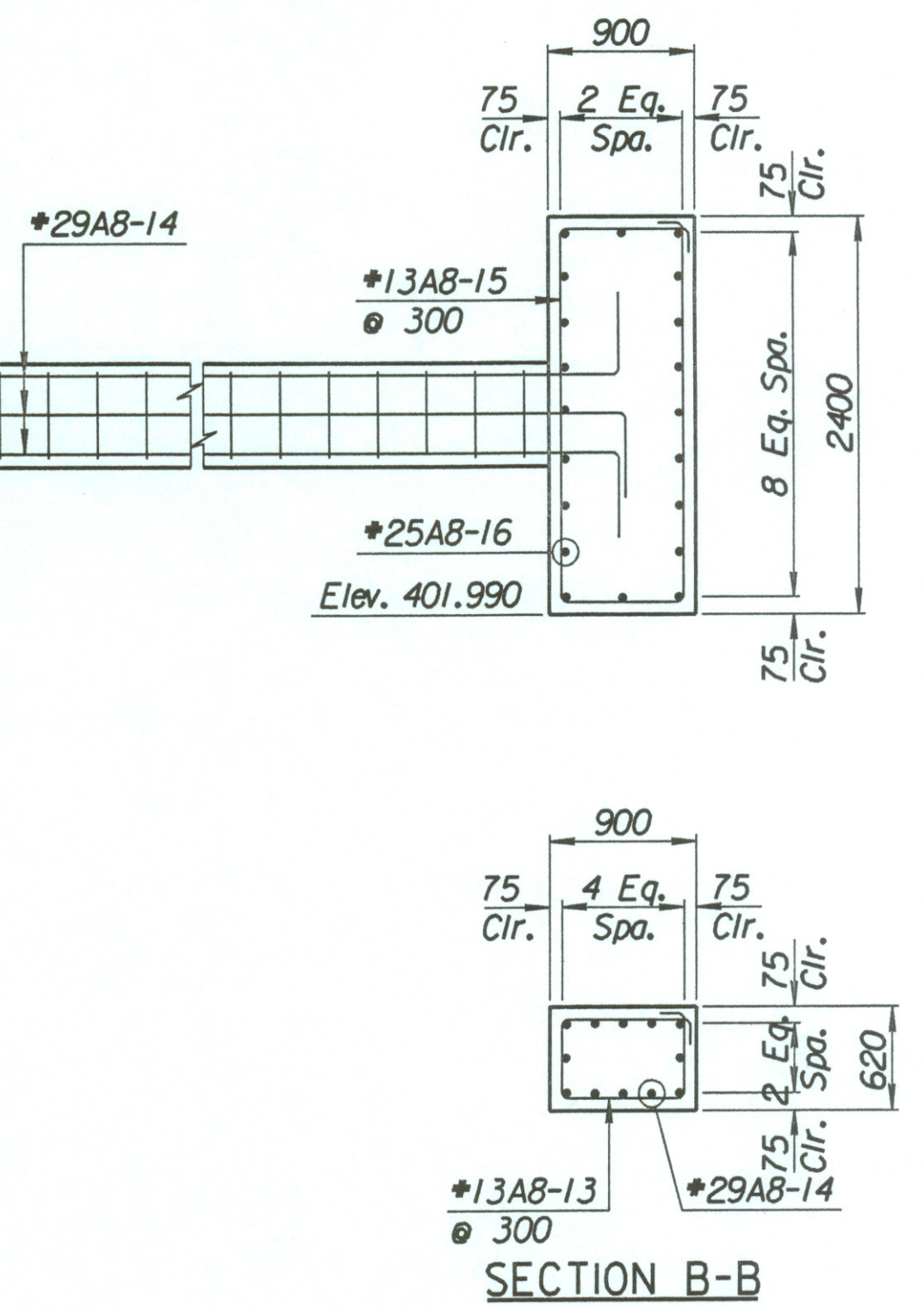


TIE BACK REINFORCING STEEL							
Straight Bars				Bent Bars			
Mark	Size	Number	Length	Mark	Size	Number	Length
A8-16	*25	40	15 040	A8-14	*29	84	12 000
				A8-15	*13	94	6300

TIE BACK QUANTITIES		
Item	Quantity	Unit
Concrete (Grade 30(AE))	104.2	m <sup>3</sup>
Reinforcing Steel (Grade 420)	8785	kg



BENDING DIAGRAMS  
All dimensions are out to out of bars.



No.	Revisions	By	Date

CITY OF WICHITA

### TYLER SOUTHWEST WALL

STA. 17+237.632 TO STA. 17+266.882  
SEDGWICK COUNTY

**Professional Engineering Consultants, P.A.**  
303 S. TOPEKA • WICHITA, KANSAS 67202  
316-262-2691 • FAX 316-262-3003

Designed by P.D.F. Checked by R.A.S.  
Drawn by W.L.L. Date April, 2002 Job No. 97362

Drawn by: wll  
 Plotted by: drp 3-25-2002  
 I:\1997\97362\001\bridge\tyler\SWWall-1