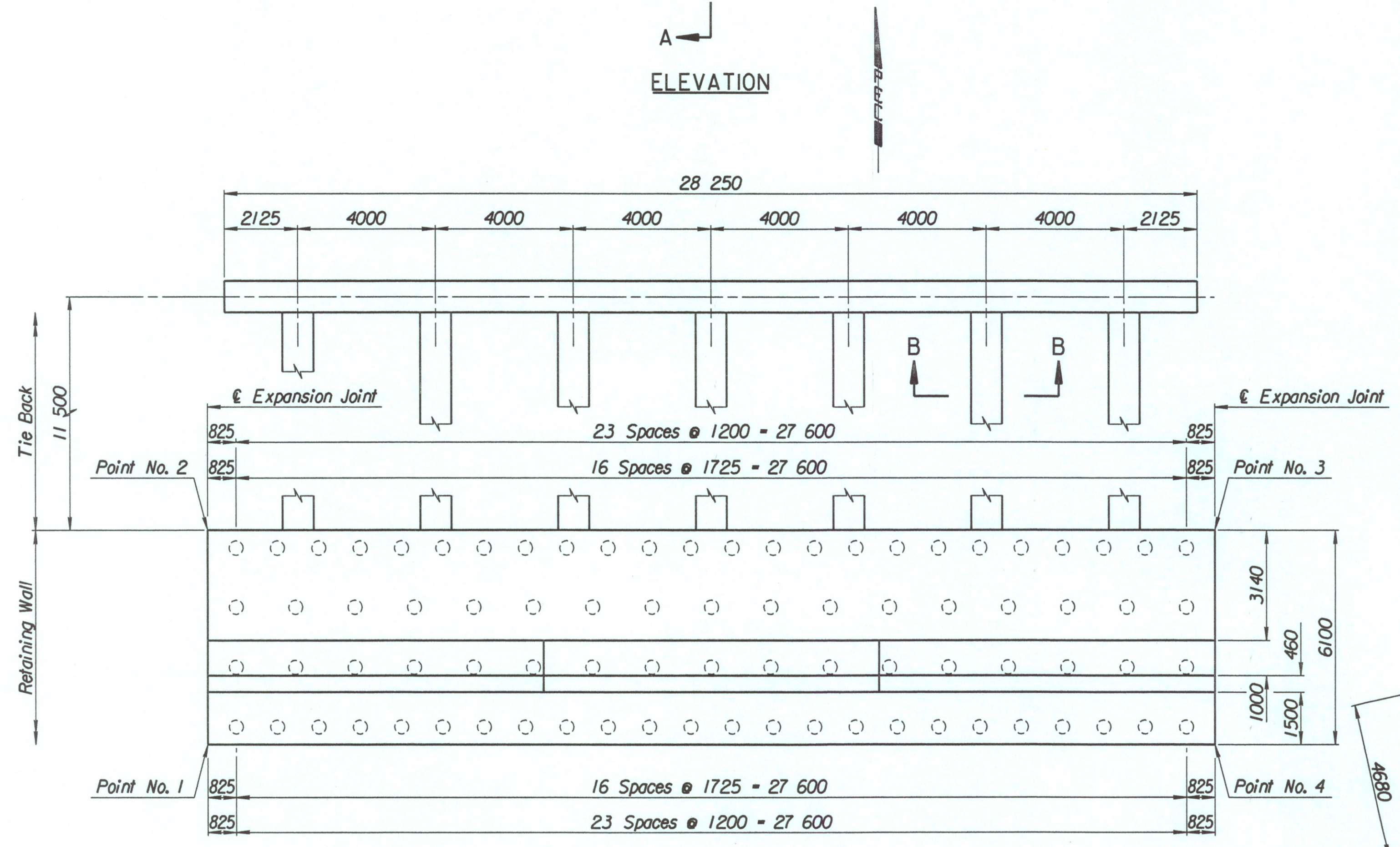
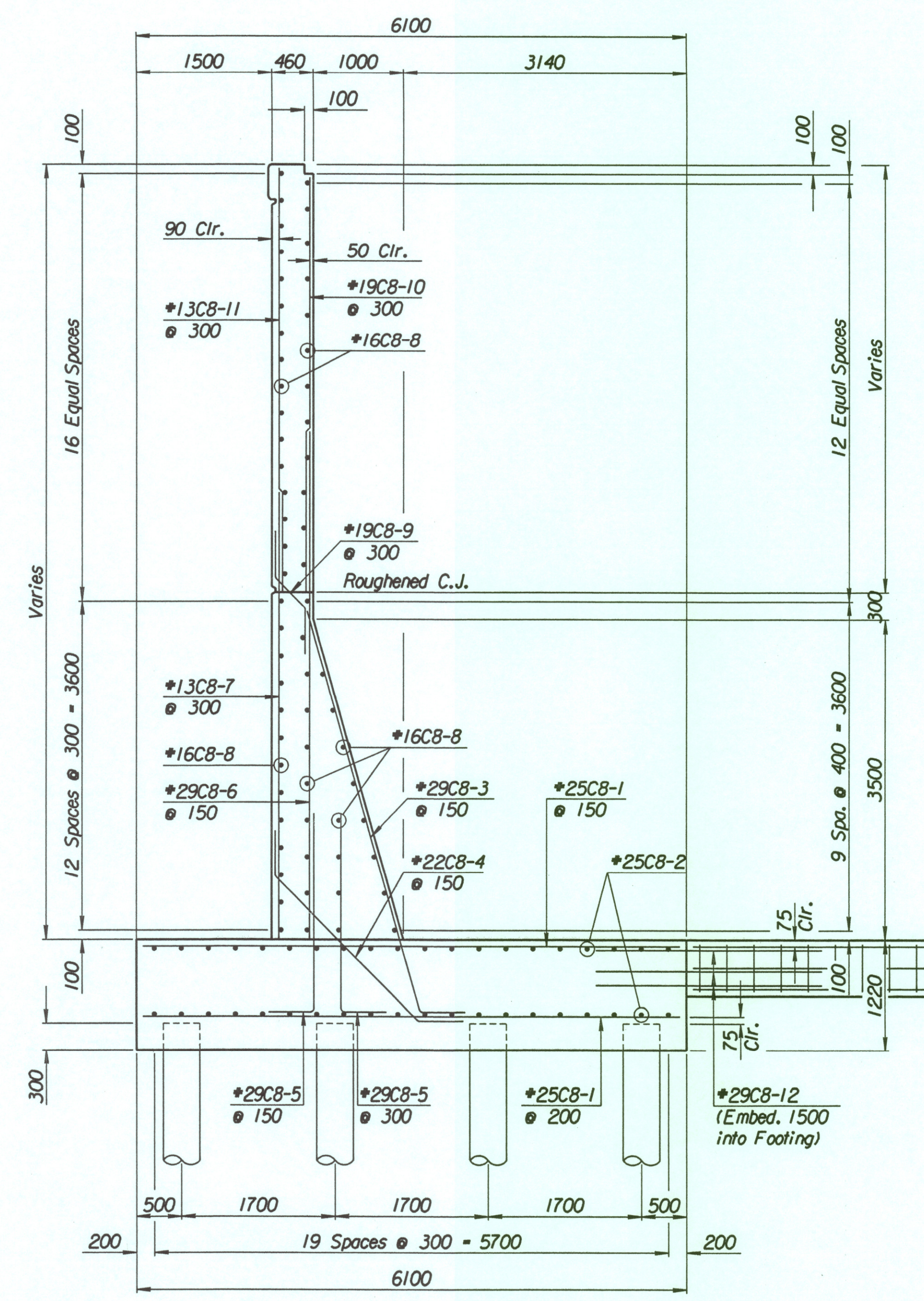
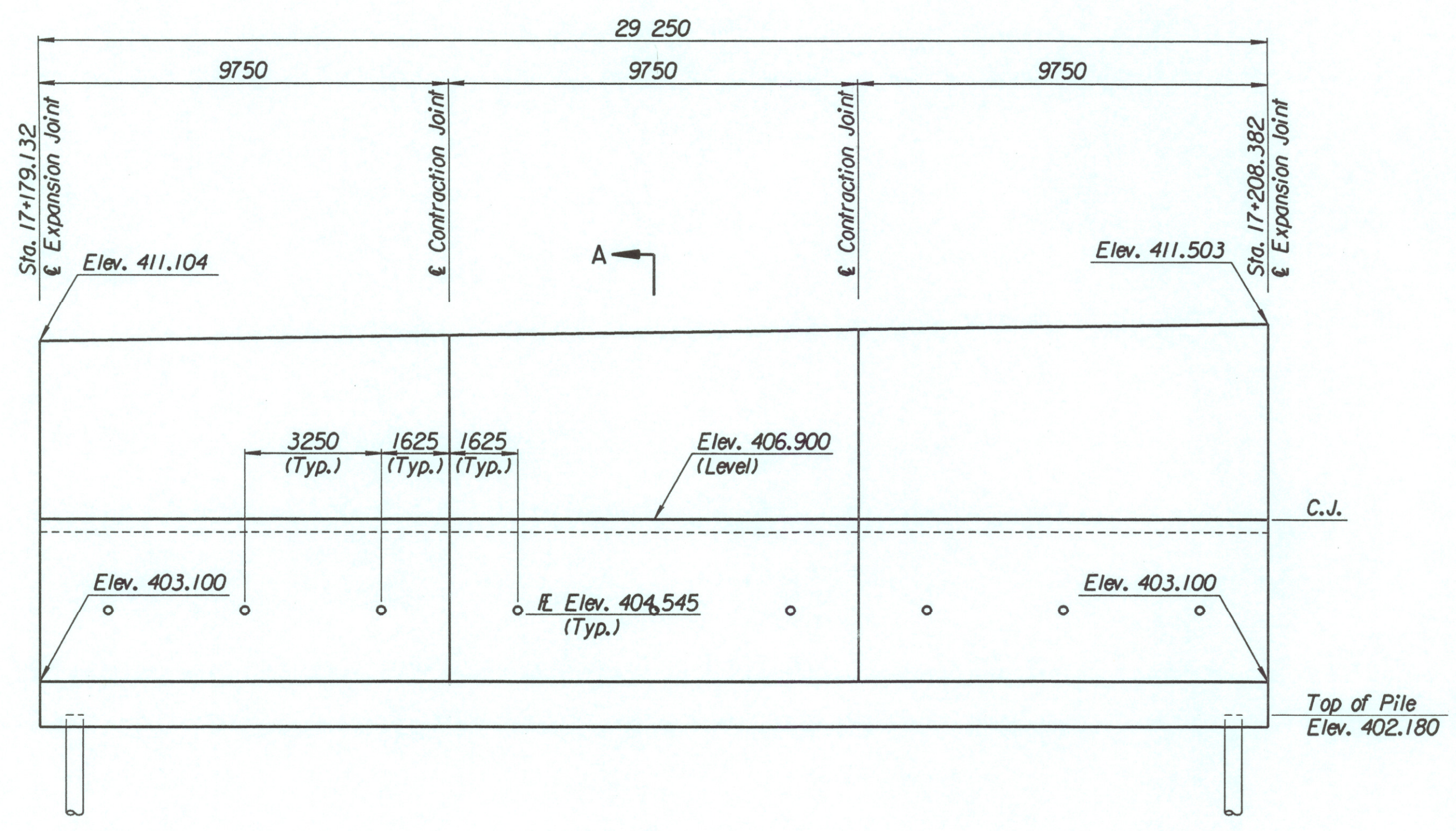


LAYOUT INFORMATION				
Point No.	North Coordinate	East Coordinate	Station	Offset
1	511922.036	493081.472	17+179.132	19.995 Ft.
2	511927.569	493078.902	17+179.132	13.895 Ft.
3	511939.890	493105.430	17+208.382	13.895 Ft.
4	511934.358	493108.000	17+208.382	19.995 Ft.

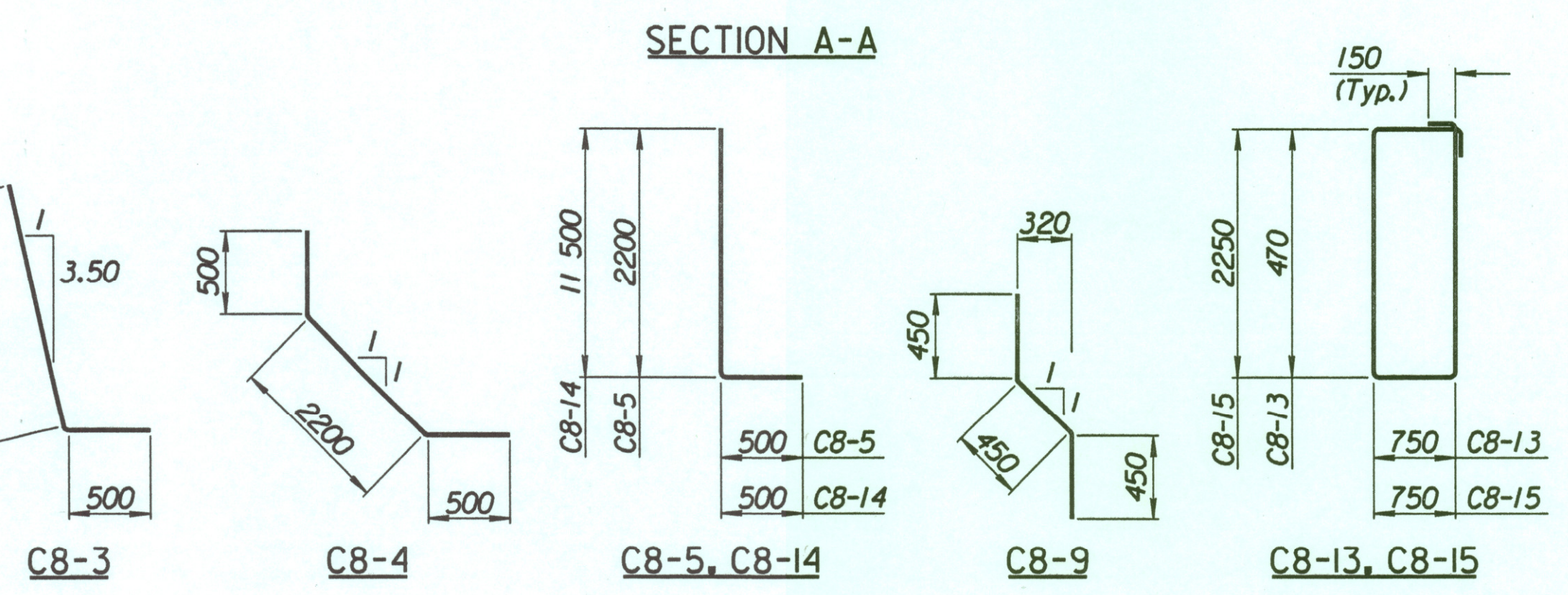
REINFORCING STEEL							
Straight Bars			Bent Bars				
Mark	Size	Number	Length	Mark	Size	Number	Length
C8-1	*25	342	6020	C8-3	*29	195	5180
C8-2	*25	80	15 540	C8-4	*22	195	3200
				C8-5	*29	294	2700
C8-6	*29	195	6050				
C8-7	*13	99	4810	C8-9	*19	99	1350
C8-8	*16	189	9650				
C8-10	*19	99	4050				
C8-11	*13	99	4150				
C8-12	*29	84	4000				

WALL QUANTITIES		
Item	Quantity	Unit
Pressure Grouted Pile (406 mm)	984.0	m
Concrete (Grade 30(AE))	379.0	m ³
Reinforcing Steel (Grade 420)	36 722	kg
Class III Excavation	493.5	m ³

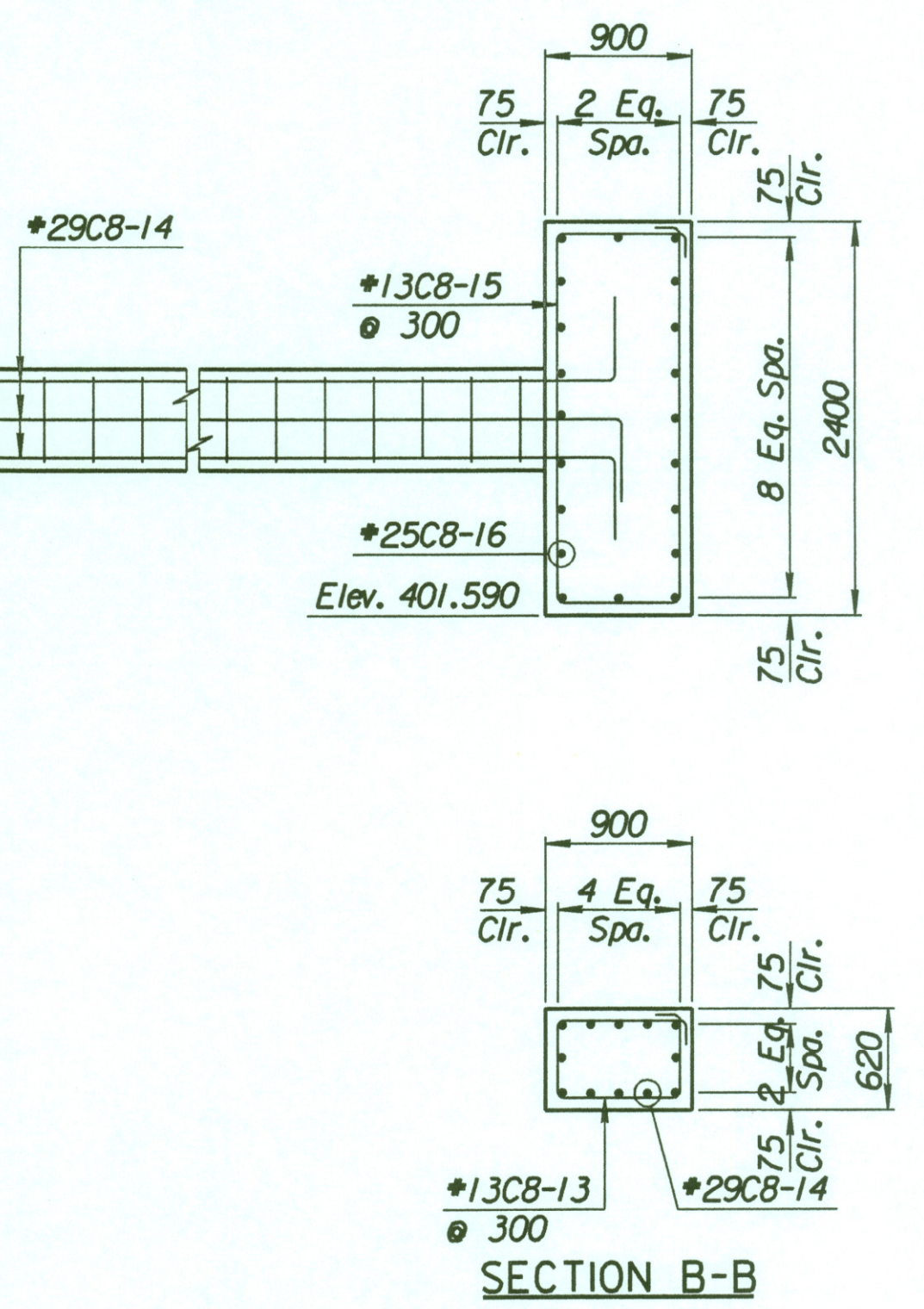


TIE BACK REINFORCING STEEL							
Straight Bars			Bent Bars				
Mark	Size	Number	Length	Mark	Size	Number	Length
C8-16	*25	40	15 040	C8-13	*13	259	2740
				C8-14	*29	84	12 000
				C8-15	*13	94	6300

TIE BACK QUANTITIES		
Item	Quantity	Unit
Concrete (Grade 30(AE))	104.2	m ³
Reinforcing Steel (Grade 420)	8785	kg



BENDING DIAGRAMS
All dimensions are out to out of bars.



No.	Revisions	By	Date

CITY OF WICHITA

TYLER SOUTHWEST WALL

STA. 17+179.132 TO STA. 17+208.382
SEDGWICK COUNTY

Professional Engineering Consultants, P.A.
303 S. TOPEKA • WICHITA, KANSAS 67202
316-262-2691 • FAX 316-262-3003

Designed by: P.D.F. Checked by: R.A.S.
Drawn by: W.L.L. Date: Apr 11, 2002 Job No. 97362

Drawn by: wil
 Plotted by: drp 3-25-2002
 1:1 991/97362/001/bridge/tylerrd/SMWall-3