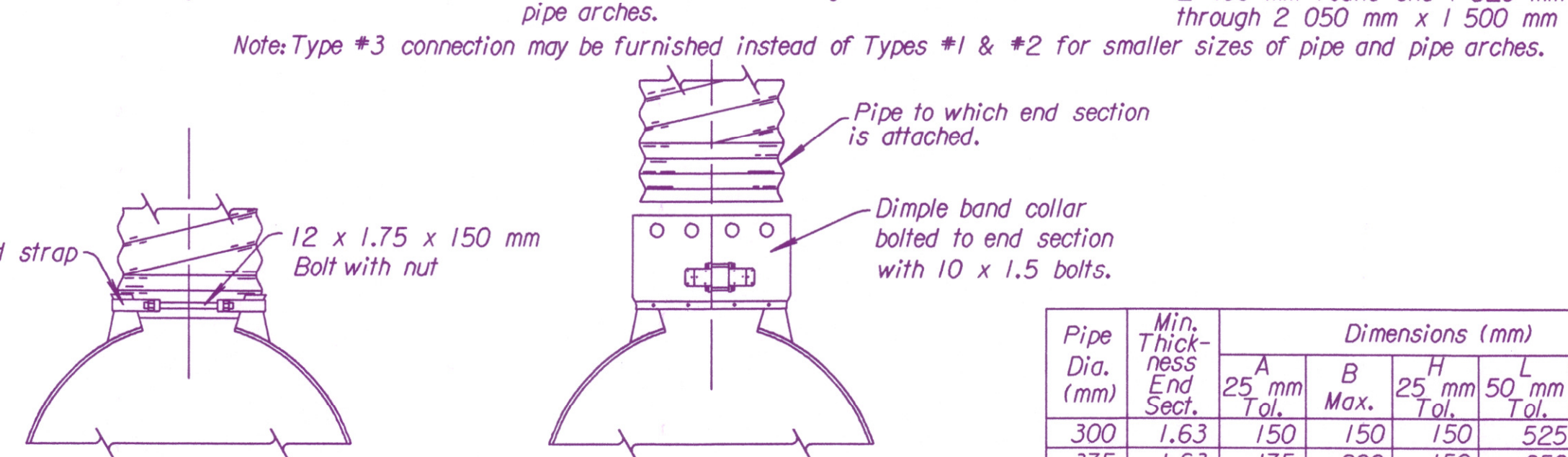
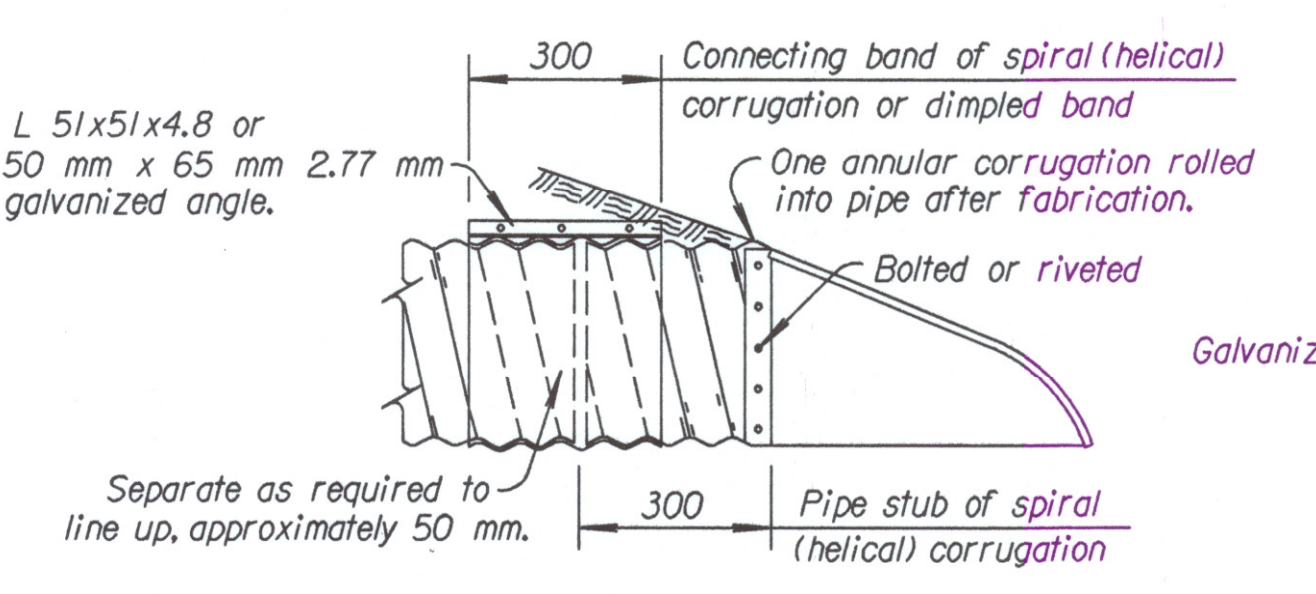
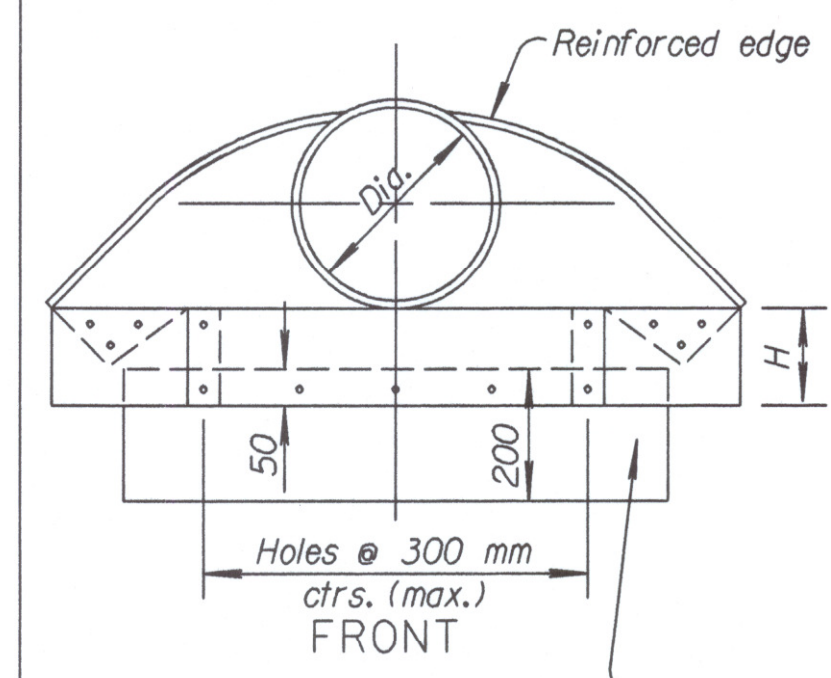
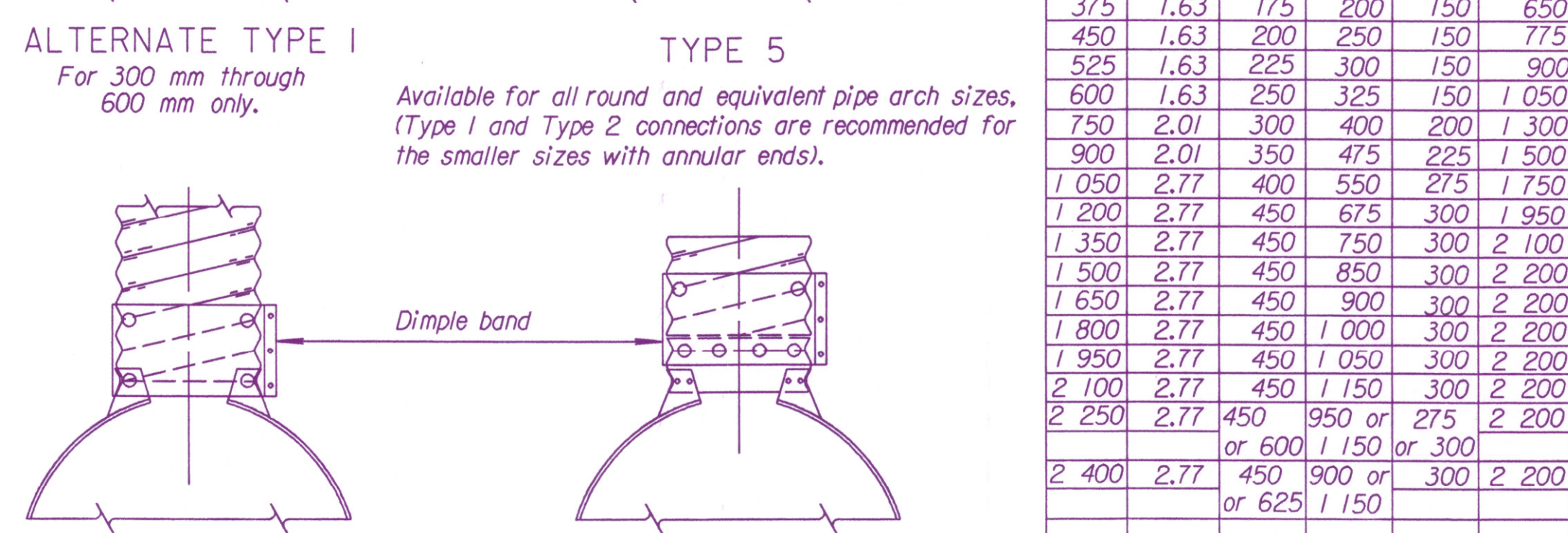
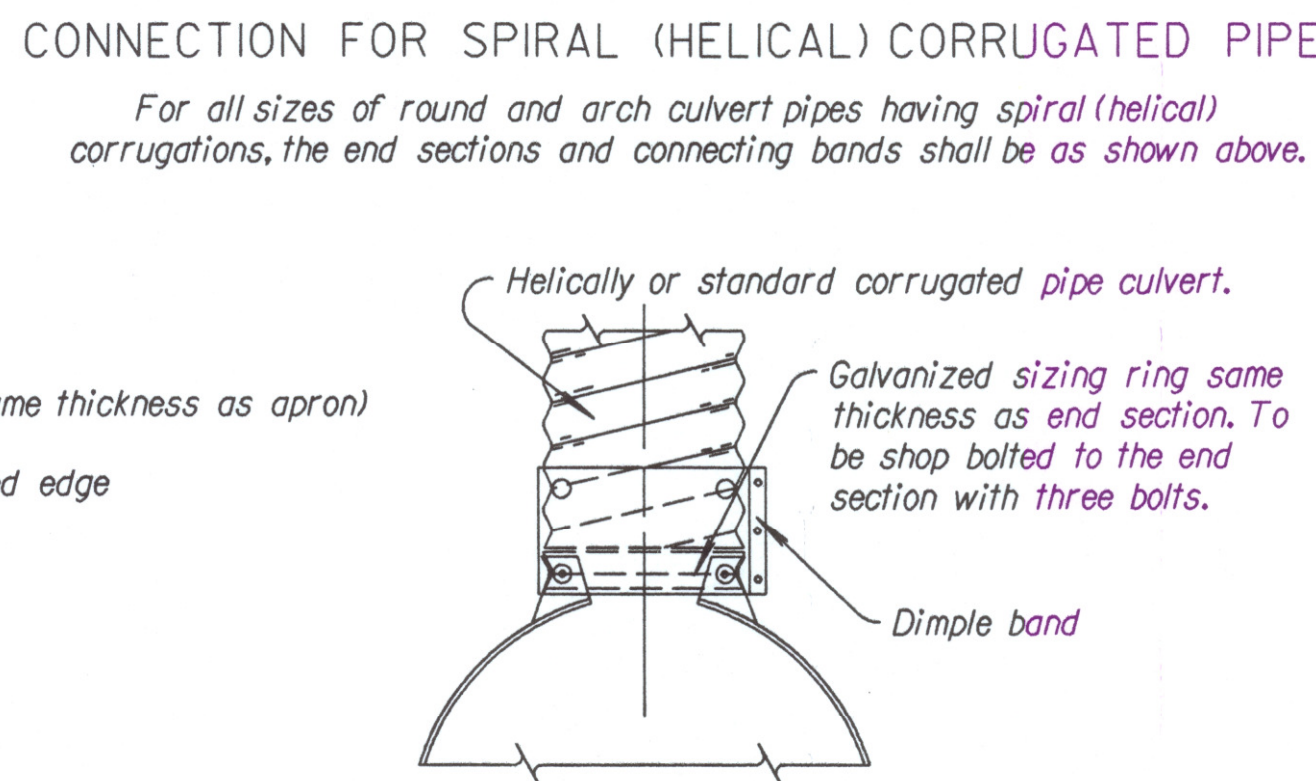
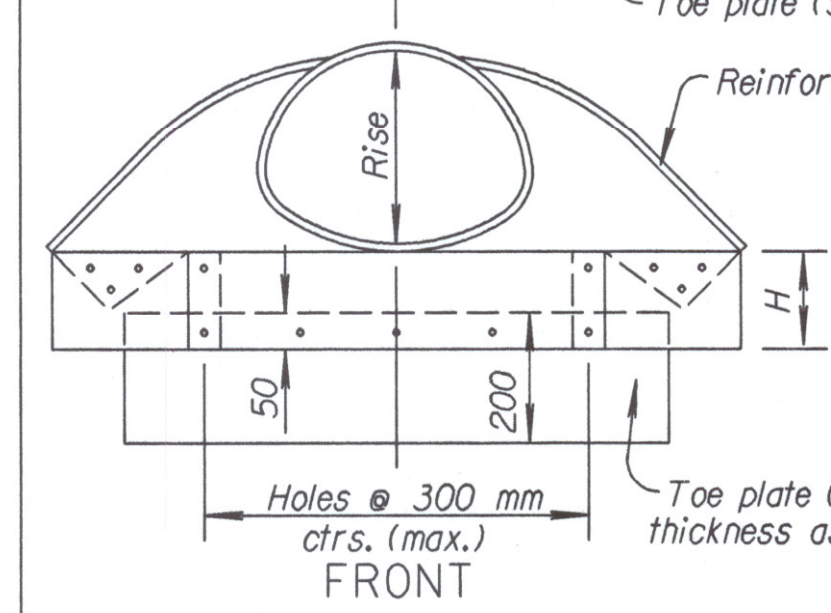


GENERAL NOTES
 Toe plate, where specified, shall be punched to match holes in apron lip. 10 mm dia. galvanized bolts shall be furnished. The length of toe plate shall be as follows:
 W + 255 mm for 300 mm through 750 mm diameter pipes.
 W + 510 mm for 900 mm through 2 100 mm diameter pipes.
 W + 255 mm for pipe arches with a rise of 330 mm through 740 mm.
 W + 510 mm for pipe arches with a rise of 840 mm through 1 500 mm.

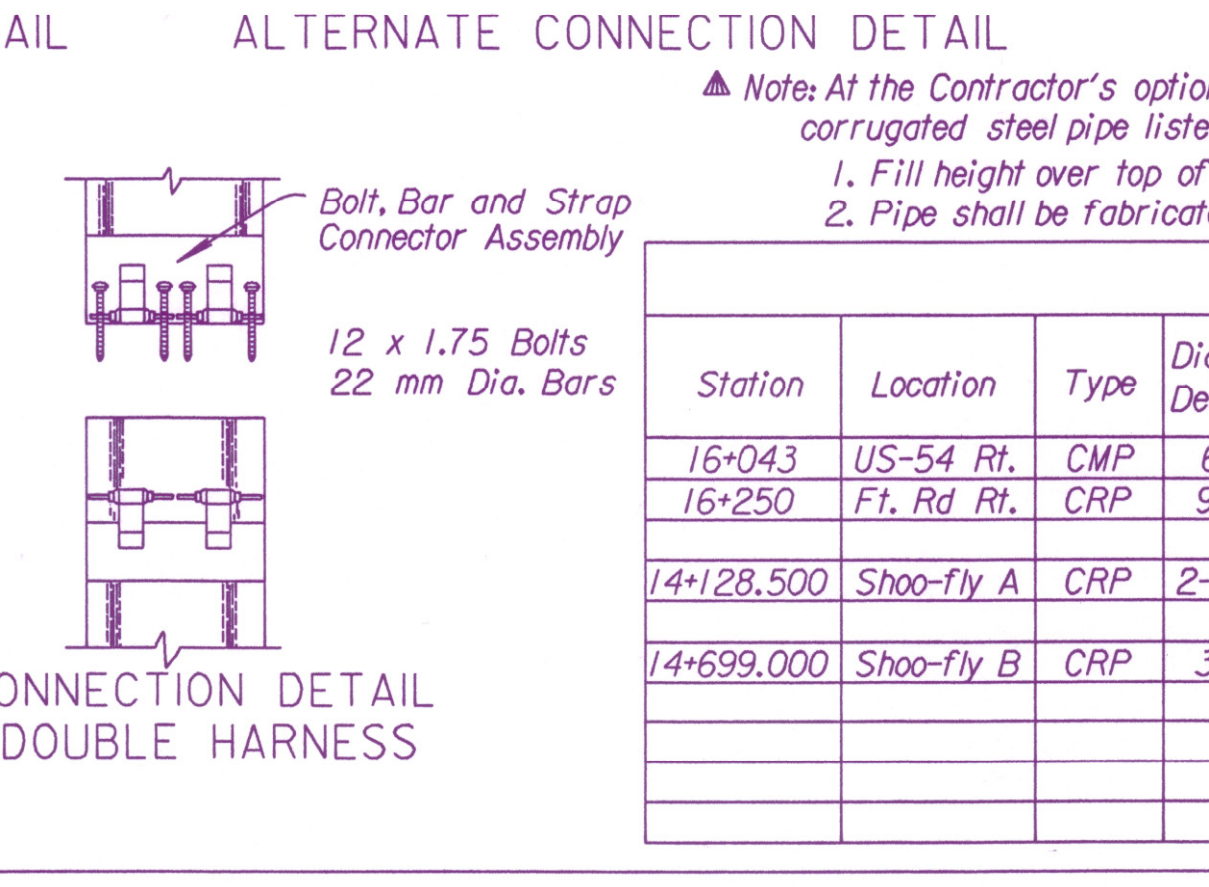
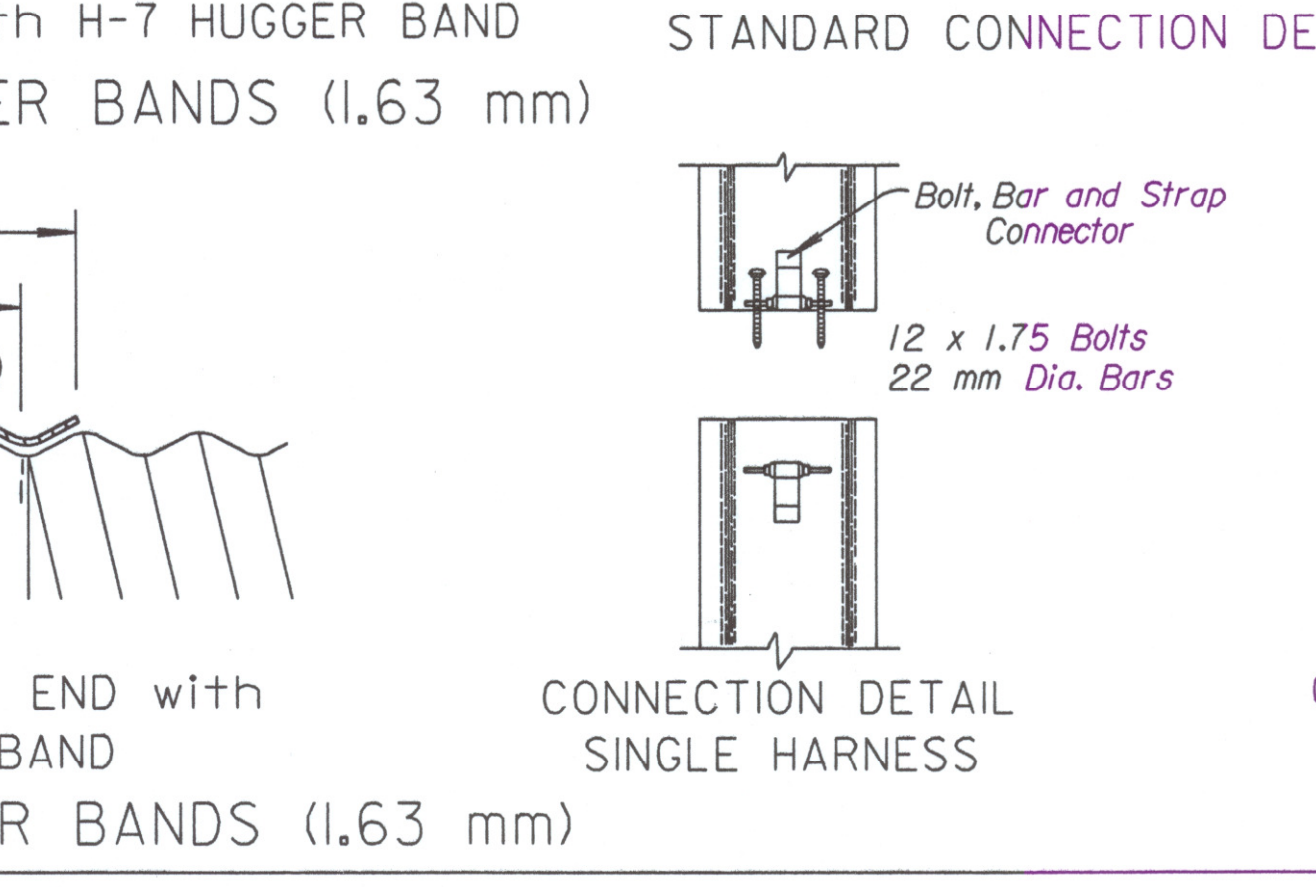
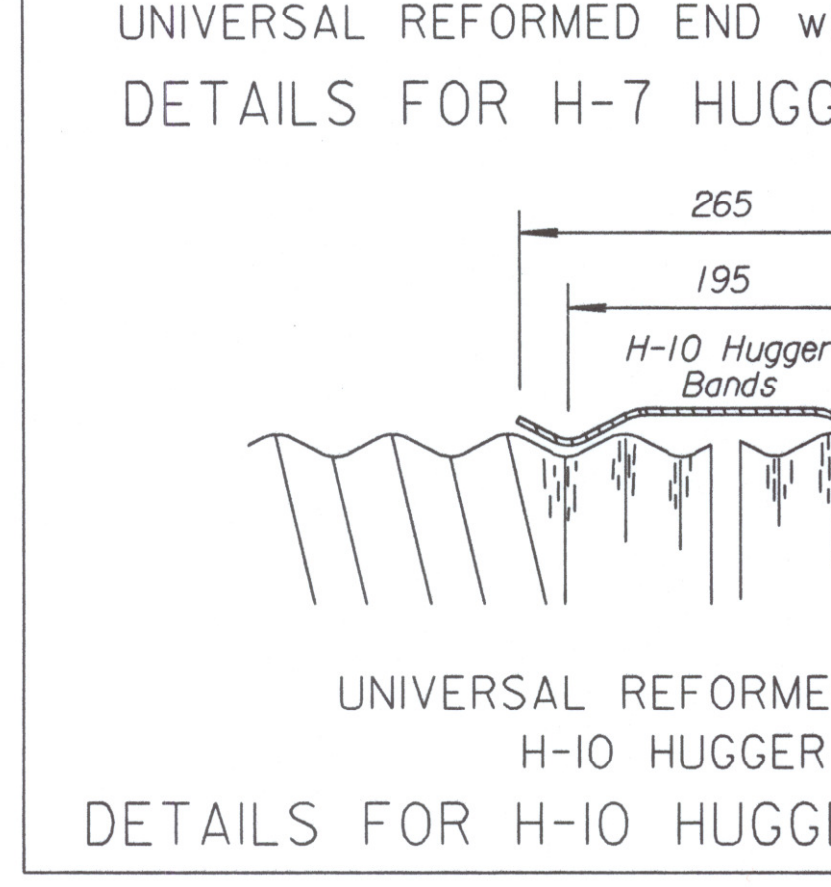
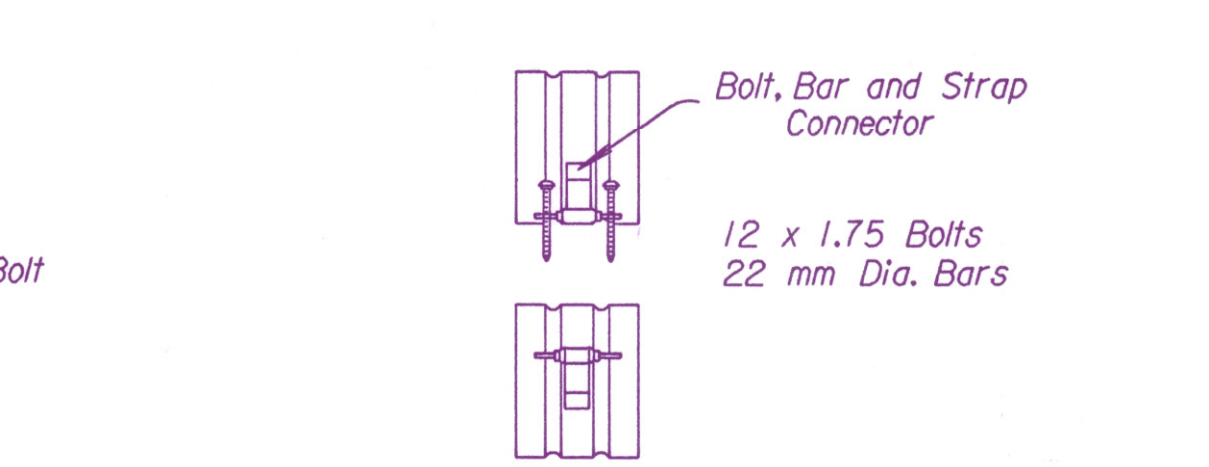
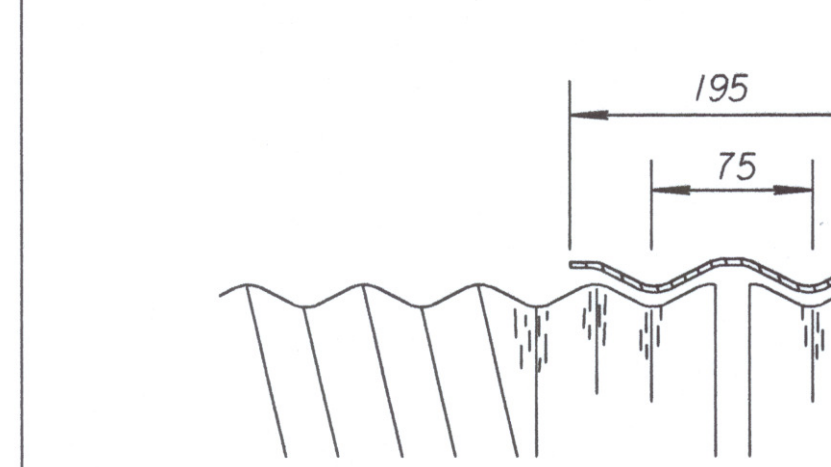
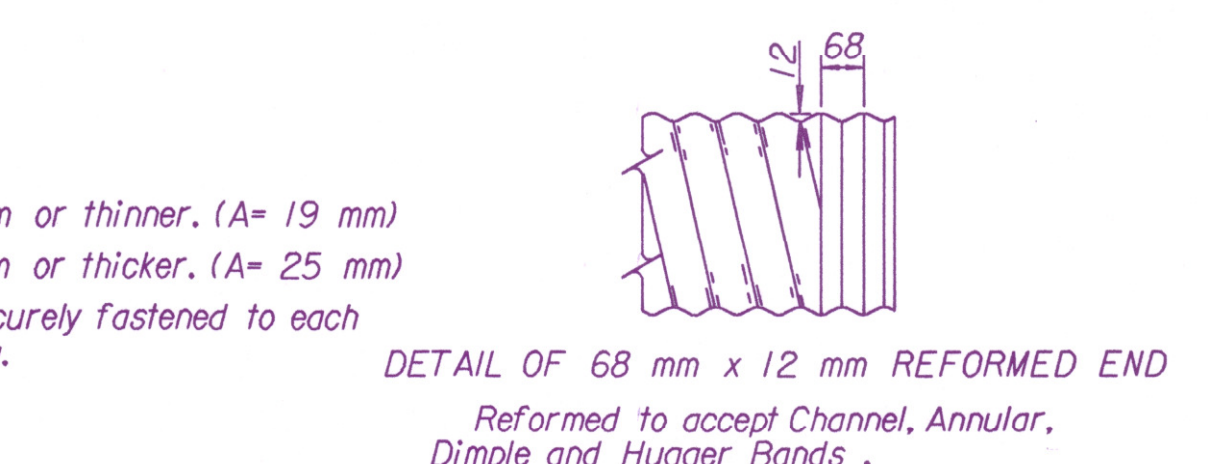
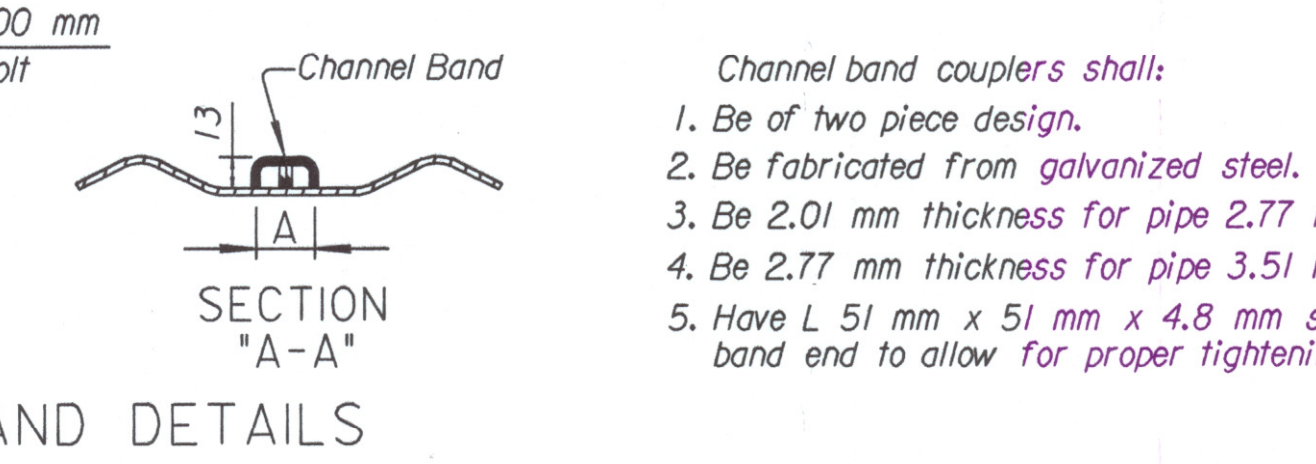
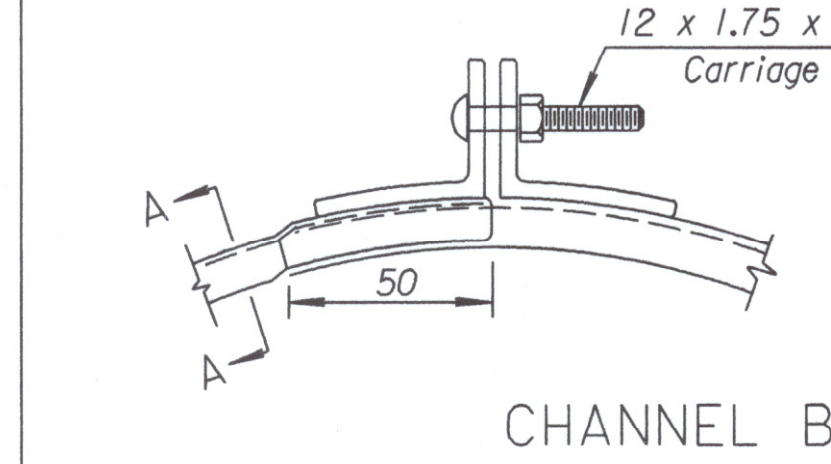


Apron section for 300 mm through 600 mm diameter pipe and pipe arches with rise of 330 mm through 610 mm shall be made from one sheet. Apron sections for 750 mm through 1 050 mm diameter pipe and pipe arches with rise of 740 mm through 840 mm may be made from up to two sheets joined by riveting or bolting on the centerline apron section. Apron section for 1 200 mm through 1 800 mm diameter pipe and pipe arches with rise of 970 mm through 1 620 mm may be made from up to three sheets joined by riveting or bolting at equal distances from centerline. Apron sections for 1 950 mm diameter pipe and above and pipe arches with rise 1 720 mm and above may be made from up to four sheets joined by riveting or bolting.
 Corner sections, corner plate and toe plate shall be same thickness as apron and each shall be galvanized in accordance with the specifications.
 Other approved designs may be used in lieu of type shown.



Pipe Dia. (mm)	Min. Thickness End Sect. (mm)	Dimensions (mm)						No. Apron Panels	Slope
		A 25 mm	B Max.	H 25 mm	L 50 mm	W 50 mm	W 50 mm		
300	1.63	150	150	150	525	600	1	1:2.5	
375	1.63	175	200	150	650	750	1	1:2.5	
450	1.63	200	250	150	775	900	1	1:2.5	
525	1.63	225	300	150	900	1 050	1	1:2.5	
600	1.63	250	325	150	1 050	1 200	1	1:2.5	
750	2.01	300	400	200	1 300	1 500	1	1:2.5	
900	2.01	350	475	225	1 500	1 800	2	1:2.5	
1 050	2.77	400	550	275	1 750	2 100	2	1:2.5	
1 200	2.77	450	675	300	1 950	2 250	2	1:2.25	
1 350	2.77	450	750	300	2 100	2 600	2	1:2.25	
1 500	2.77	450	850	300	2 200	3 000	3	1:2	
1 650	2.77	450	900	300	2 200	3 050	3	1:2	
1 800	2.77	450	1 000	300	2 200	3 200	3	1:2	
1 950	2.77	450	1 050	300	2 200	3 350	3	1:1.5	
2 100	2.77	450	1 150	300	2 200	3 500	3	1:1.5	
2 250	2.77	450	950 or 600	275	2 200	3 500 or 3 650	3	1:1.5	
2 400	2.77	450	900 or 625	300	2 200	3 500 or 3 800	3	1:1.5	

Bid Designation m ²	Nom. W.W. Area m ²	Pipe Arch						Min. Thickness End Sect. (mm)	Dimensions (mm)						No. Apron Panels	Slope
		Span (mm)	Rise (mm)	A 25 mm	B Max.	H 25 mm	L 50 mm		W 50 mm	W 50 mm	W 50 mm	W 50 mm				
0.10	0.10	430	330	1.63	175	225	150	475	750	1	1:2.5					
0.15	0.15	530	380	1.63	175	250	150	575	900	1	1:2.5					
0.20	0.20	610	460	1.63	200	300	150	700	1 050	1	1:2.5					
0.25	0.26	710	510	1.63	225	350	150	800	1 200	1	1:2.5					
0.30 or 0.35	0.41	885	610	2.01	250	400	150	1 000	1 525	1	1:2.5					
0.45 or 0.55	0.59	1 060	740	2.01	300	450	200	1 175	1 900	2	1:2.5					
0.65 or 0.80	0.81	1 240	840	2.77	325	525	225	1 350	2 175	2	1:2.5					
0.90 or 1.00	1.06	1 440	970	2.77	450	650	300	1 600	2 250	2	1:2.5					
1.15 or 1.30	1.45	1 520	1 170	2.77	450	875	300	1 775	2 600	2	1:2					
1.55	1.79	1 670	1 300	2.77	450	850	300	1 950	2 900 or 3 200	3	1:1.5					
2.00	2.16	1 850	1 400	2.77	450	900	300	1 950	3 200	3	1:1.5					
2.30	2.55	2 050	1 500	2.77	450	1 000	300	1 950	3 500	3	1:1.5					
3.00	2.99	2 200	1 620	2.77	550	975	300	1 950	3 750	3	1:1.5					
3.40	3.44	2 400	1 720	2.77	550	875	300	1 950	4 125	3	1:1.5					
3.90	3.94	2 600	1 820	2.77	550	975	300	1 950	4 425	3	1:1.5					
4.40	4.46	2 840	1 920	2.77	600	1 025	300	1 950	4 425	3	1:1.5					



Pipe Dia. mm	*Min. Thickness of Pipe (mm)		
	68x12 Corr. Steel	75x25 Corr. Steel	152x51 Corr. Steel
300	1.63		
375	1.63		
450	1.63		
525	1.63		
600	2.01		
750	2.01		
900	2.01		
1 050	2.77	2.01	
1 200	2.77	2.01	
1 350	2.77	2.01	
1 500	3.51	2.01	2.77
1 650	3.51	2.01	2.77
1 800	3.51	2.01	2.77
1 950	4.27	2.01	2.77
2 100	2.77	2.77	
2 250	2.77	2.77	
2 400	2.77	2.77	
2 550	2.77	2.77	
2 700	3.51	2.77	
2 850	3.51	2.77	
3 000	3.51	2.77	

Bid Designation m ²	Pipe Dimension Span x Rise (mm)	End Area m ²	*Min. Thickness of Pipe	
			68x12 Corr. Steel	75x25 Corr. Steel
0.10	430 x 330	0.10	1.63	
0.15	530 x 380	0.15	1.63	
0.20	610 x 460	0.20	1.63	
0.25	710 x 510	0.26	2.01	
0.30 or 0.35	885 x 610	0.41	2.01	
0.45 or 0.55	1 060 x 740	0.59	2.01	
0.65 or 0.80	1 240 x 840	0.81	2.77	
0.90 or 1.00	1 440 x 970	1.06	2.77	
1.15 or 1.30	1 520 x 1 170	1.45		2.01
1.55	1 670 x 1 300	1.79		2.01
2.00	1 850 x 1 400	2.16		2.77
2.30	2 050 x 1 500	2.55		2.77
3.00	2 200 x 1 620	2.99		2.77
3.40	2 400 x 1 720	3.44		2.77
3.90	2 600 x 1 820	3.94		2.77
4.40	2 840 x 1 920	4.46		2.77
5.00	2 970 x 2 020	5.04		3.51
5.60	3 240 x 2 120	5.63		3.51
6.25	3 470 x 2 220	6.27		3.51
6.90	3 600 x 2 320	6.93		3.51

GENERAL NOTES
 The culverts listed on this sheet may not indicate that the culvert installed will be steel, aluminum or reinforced concrete.
 *For thickness above minimum requirements see summary of culverts.

Connection of end sections by welding will not be permitted. All 3 piece apron sections shall have 2.77 mm sides and 3.51 mm center panels. Multiple panel apron sections shall have lap seams which are to be tightly joined by galvanized rivets or bolts at equal distances from center line.
 For 1 500 mm through 3 000 mm diameter pipe apron sections, reinforced edges shall be supplemented by hot dipped galvanized stiffener angles. The angles shall be attached by galvanized nuts and bolts.
 For 1 850 mm x 1 400 mm and larger pipe arch sections, reinforced edges shall be supplemented by hot dipped galvanized stiffener angles. The angles shall be attached by galvanized bolts and nuts.
 Angle reinforcement shall be placed under the center panel seams on 1 850 mm x 1 400 mm and larger pipe arch sections.
 All references to galvanized metal refer to steel only.
 Gain in pipe length due to fit of pipe at connecting band shall not be paid for.
 When Hugger Bands are used the H-7 Hugger Band may be used on circular pipes 900 mm diameter and smaller and pipe arches 1 060 mm x 740 mm and smaller. The H-10 Hugger Band is required for larger size pipes.

Note: At the Contractor's option, 125 mm x 25 mm corrugated steel pipe of equal thickness may be substituted for the 75 mm x 25 mm corrugated steel pipe listed in the table with the following restrictions:
 1. Fill height over top of pipe shall be less than 7.6 m.
 2. Pipe shall be fabricated with helical corrugations and lock seams or continuous welded seams.

PIPE CULVERT SUMMARY																		
Station	Location	Type	Dia. or Bid Designation	Crown Grade Elev.	Flow Line		Horizontal Roadway		Degree of Rotation	Length of Pipe (m)		Total Length (m)	End Sections					
					Lt.	Rt.	Lt.	Rt.		Lt.	Rt.		Lt.	Rt.	Lt.	Rt.		
16+043	US-54 Rt.	CMP	600mm	—	—	—	—	—	—	—	—	—	—	—	—	—	—	—
16+250	Ft. Rd Rt.	CRP	900mm	—	400.361	398.4	—	—	—	—	23.5	23.5	—	—	—	—	—	—
14+128.500	Shoo-fly A	CRP	2-300mm	406.219	405.410	405.529	7.90	7.40	60° Rt	15.24	15.86	31.10	2	2	—	—	—	—
14+699.000	Shoo-fly B	CRP	300mm	405.372	404.640	404.730	6.00	6.30	0	6.00	6.30	12.30	1	1	—	—	—	—

NO.	DATE	REVISIONS	BY	APP'D
4	10-03-00	Revised bolt callouts	R.J.S.	J.O.B.
3	4-27-98	Added pipe corrugation option note	R.J.S.	J.O.B.
2	1-12-96	Rev. Arch Dimensions	R.J.S.	J.O.B.
1	7-24-95	Rev. General Notes, tables & details	R.J.S.	J.O.B.

KANSAS DEPARTMENT OF TRANSPORTATION
METAL END SECTION FOR ROUND & ARCH METAL CULVERTS (TYPE I) & PIPE GAUGE TABLES
 RD710 SI
 FHWA APPROVAL 10-13-00 APP'D. James O. Brewer
 DESIGNED DETAILED QUANTITIES TRACED Bowser
 DESIGN CK. DETAIL CK. QUAN.CK. TRACE CK. Seitz

DSNR: OPER: JGP SCALE: I: 1/1997/97362/STANDARDS/RD710SI.DGN 1-03-2002 14:14:57 LAST REV: L-14-2002 BY: SVB