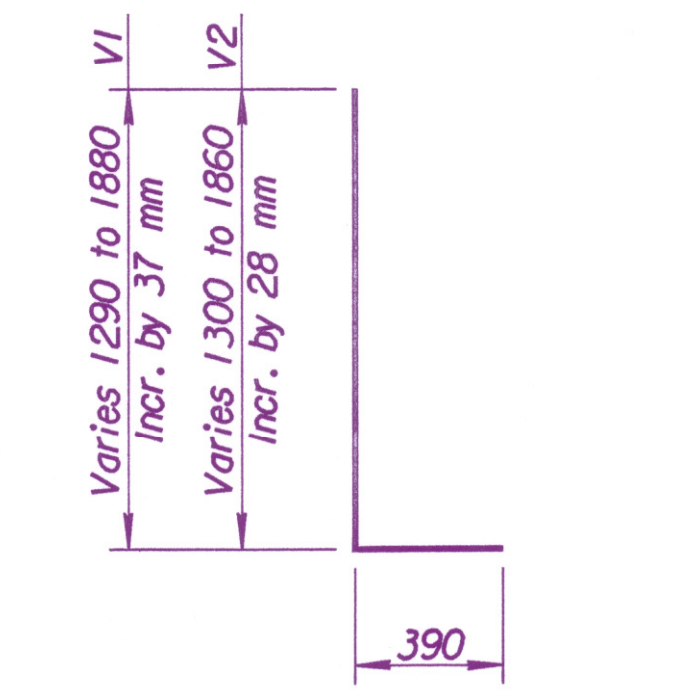


FHWA REGION NO.	STATE	PROJECT NO.	YEAR	SHEET NO.	TOTAL SHEETS
7	KANSAS	54-87 K-6657-01	2002	396	1122

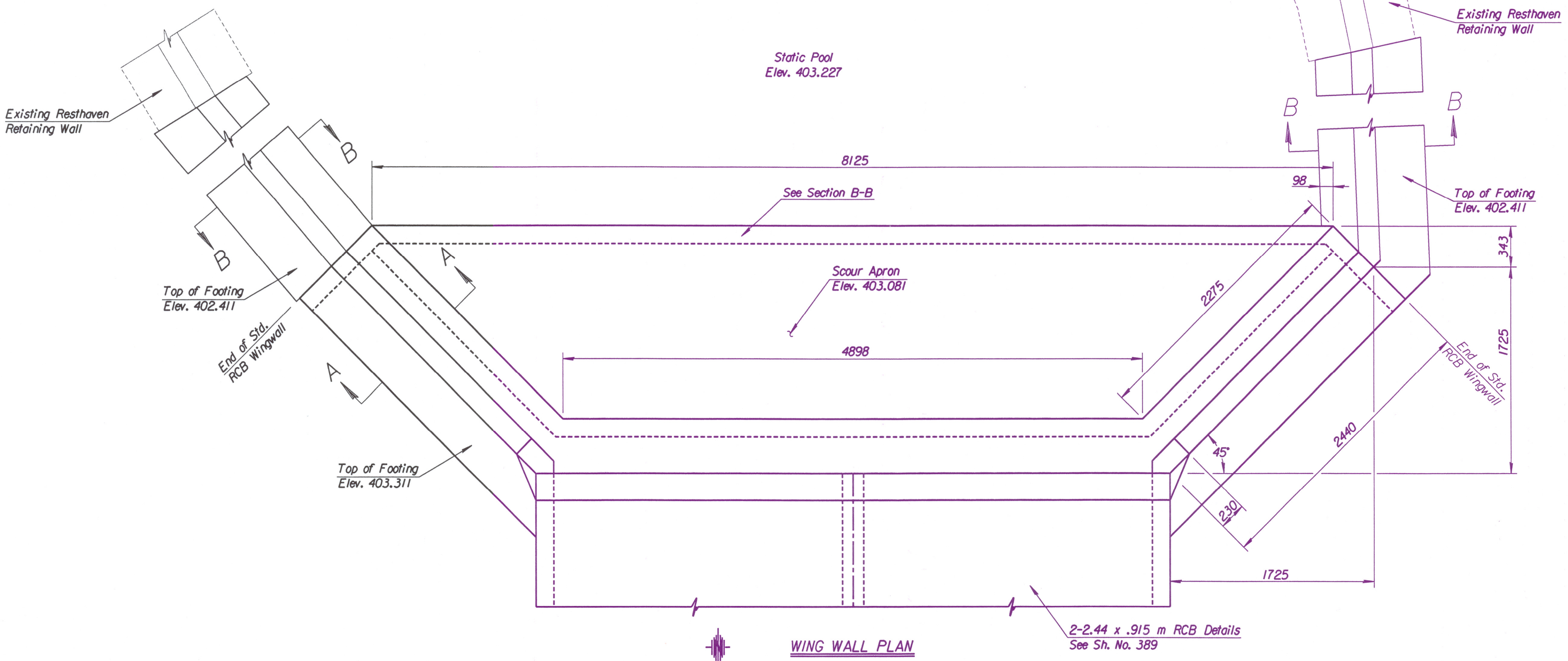
REINFORCING STEEL					
STRAIGHT BARS			BENT BARS		
MARK	NO.	SIZE LENGTH	MARK	NO.	SIZE LENGTH
H1	3	12 4700	V1	17	12 Varies
H2	3	12 6050	V2	21	12 Varies
H3	1	12 4730			
H4	1	12 6080			
F1	38	12 800			
F2	4	12 4700			
F3	4	12 6050			
X1	12	12 1000			

SUMMARY OF QUANTITIES		
Item	Quantity	Unit
AAA Concrete (AE)	5.1	m ³
Reinforcing Steel (Grade 60)	202	kg

See Sheet No. 389 for General Notes.

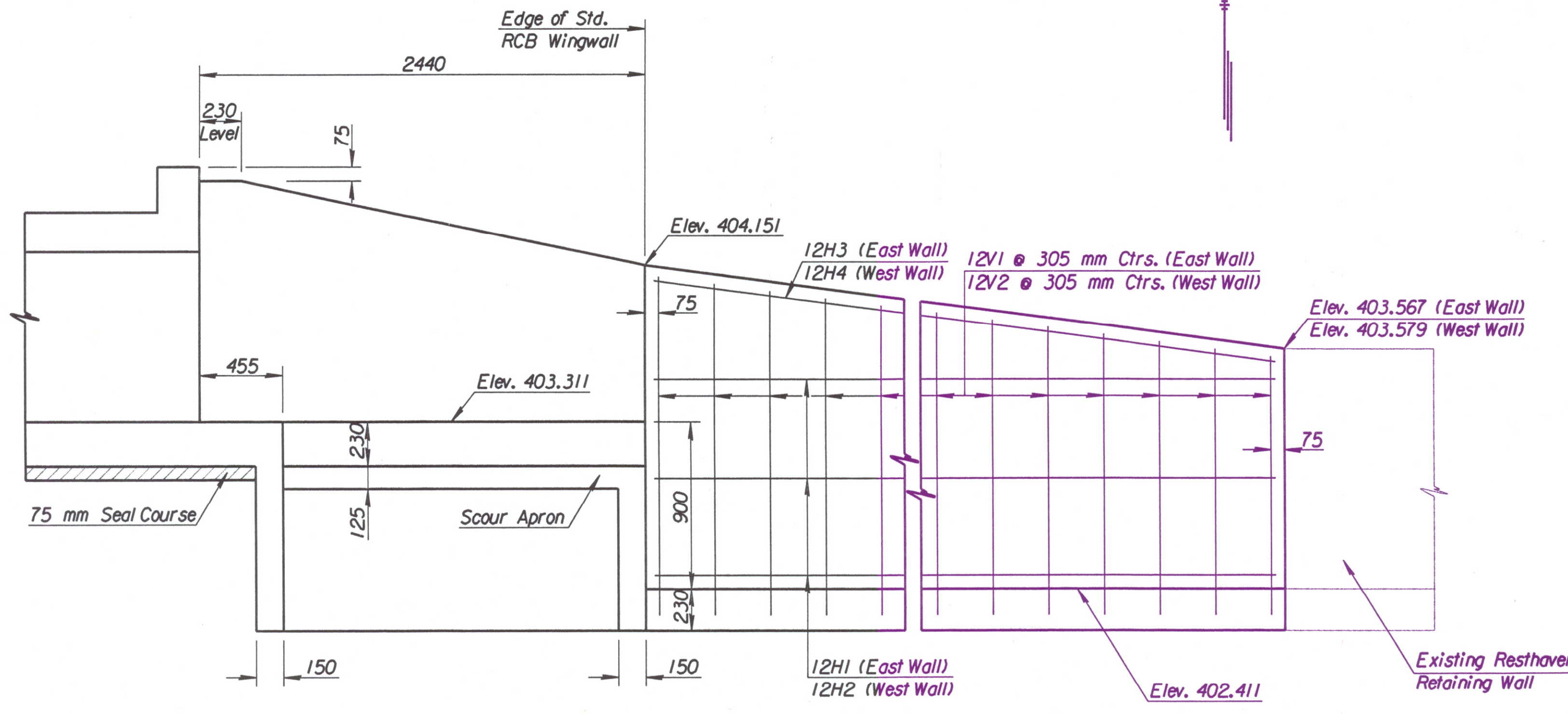


VI, V2
BENDING DIAGRAM
(All Dimensions are out to out of Bars)

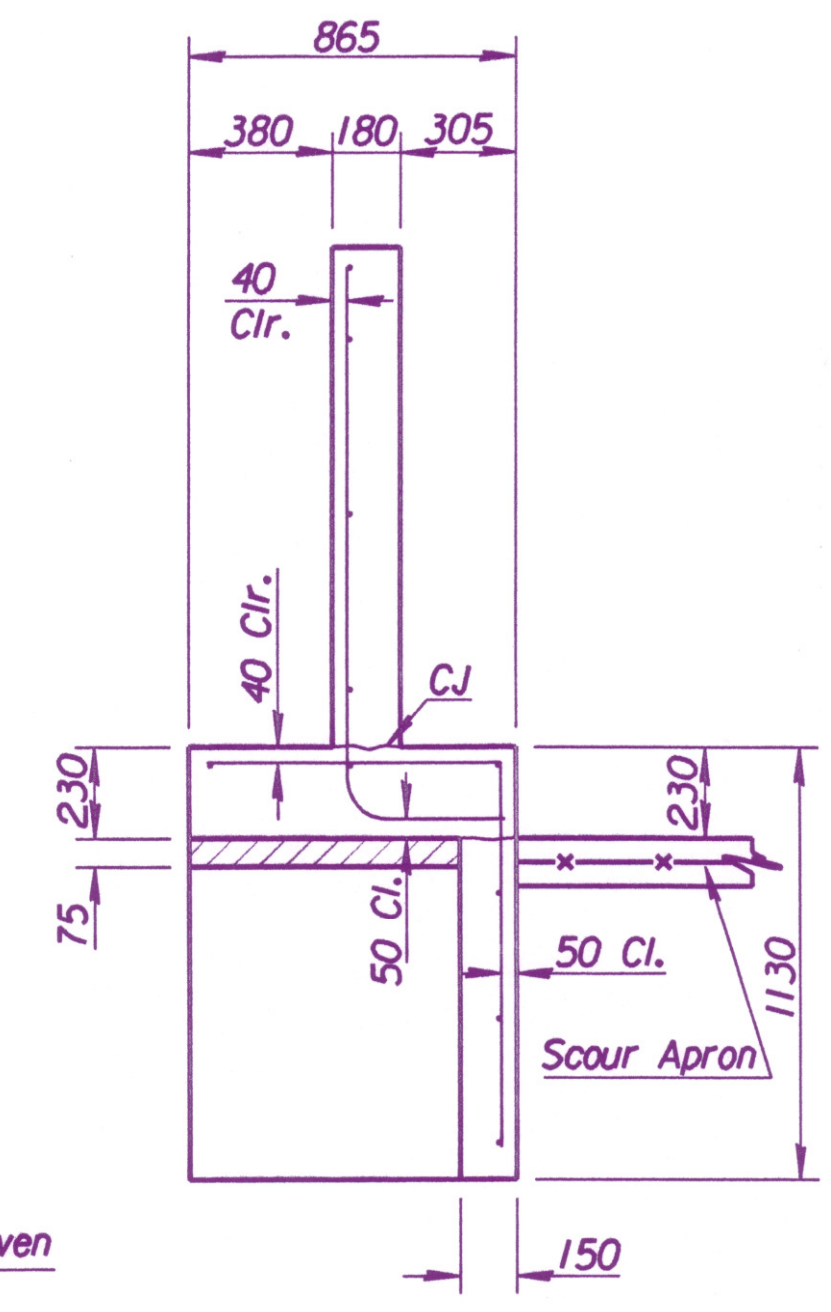


WING WALL PLAN

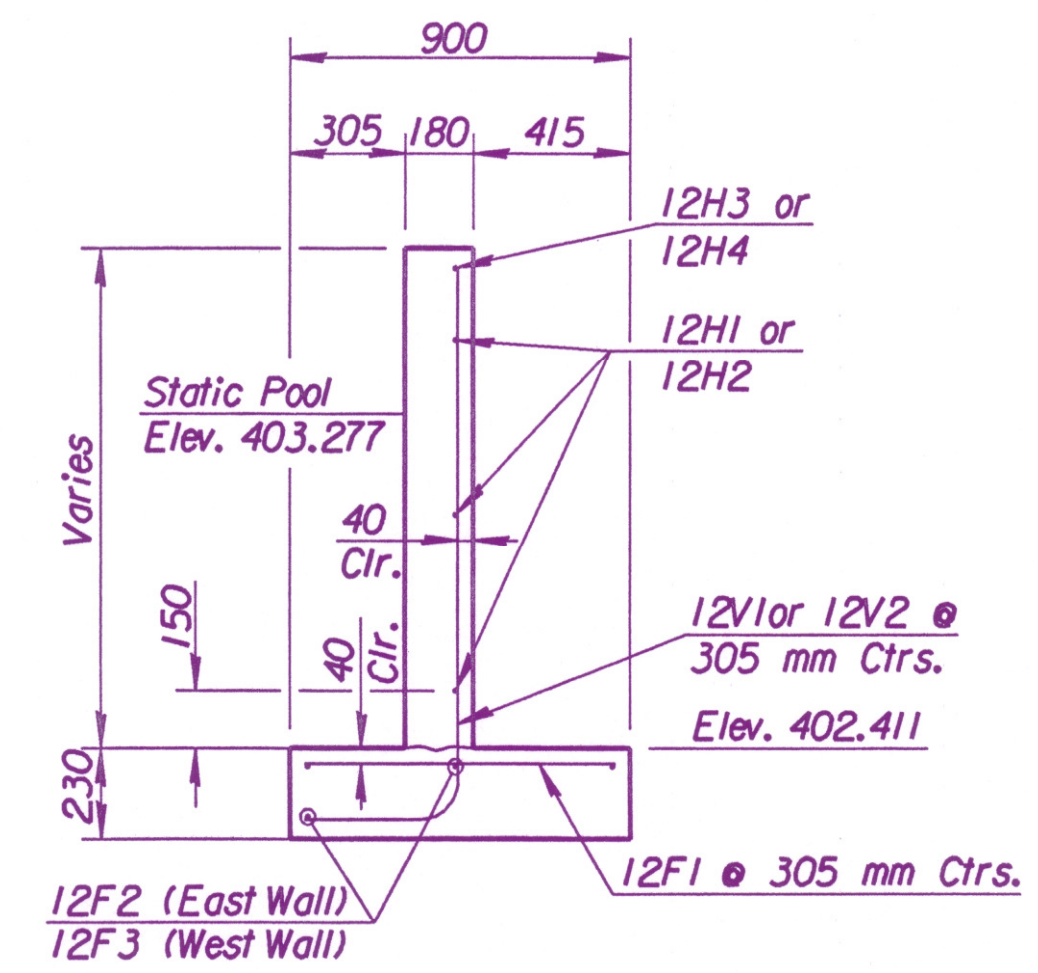
2-2.44 x .915 m RCB Details
See Sh. No. 389



ELEVATION OF WING WALL



SECTION A-A



SECTION B-B

Top of Wall Elev. Varies from 403.567 to 404.151 (East) 403.579 to 404.151 (West)

DATE	
BY	
REFERENCES NOTED	
REFERENCES CHECKED	

DSNR: RWA OPER: DRP SCALE: 1:20
 I:/1997/97362/001/RCB/WINGDETAIL.DGN 8-10-2001 10:27:00 LAST REV: 3-27-2002 BY: mdg

No.	Revisions	By	Date
KANSAS DEPARTMENT OF TRANSPORTATION EXTENDED WING WALL DETAILS			
PROJECT NO. 54-87 K-6657-01		SEDGWICK COUNTY	
Professional Engineering Consultants, P.A. 303 S. TOPEKA • WICHITA, KANSAS 67202 316-262-2691 • FAX 316-262-3003			
Designed by	RWA	Checked by	RAS
Drawn by	DRP	Date	April 11, 2002
		Job No.	97362