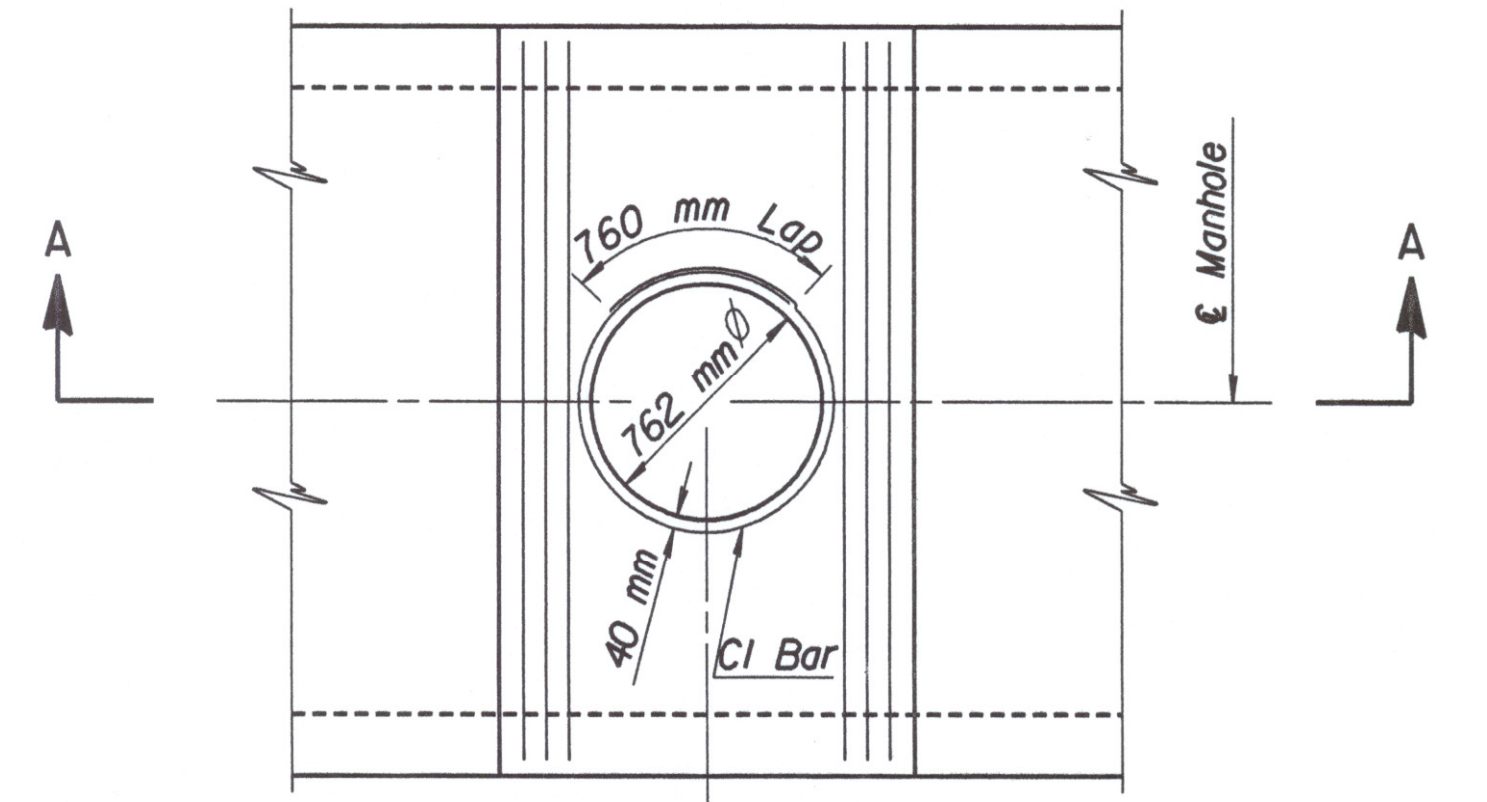


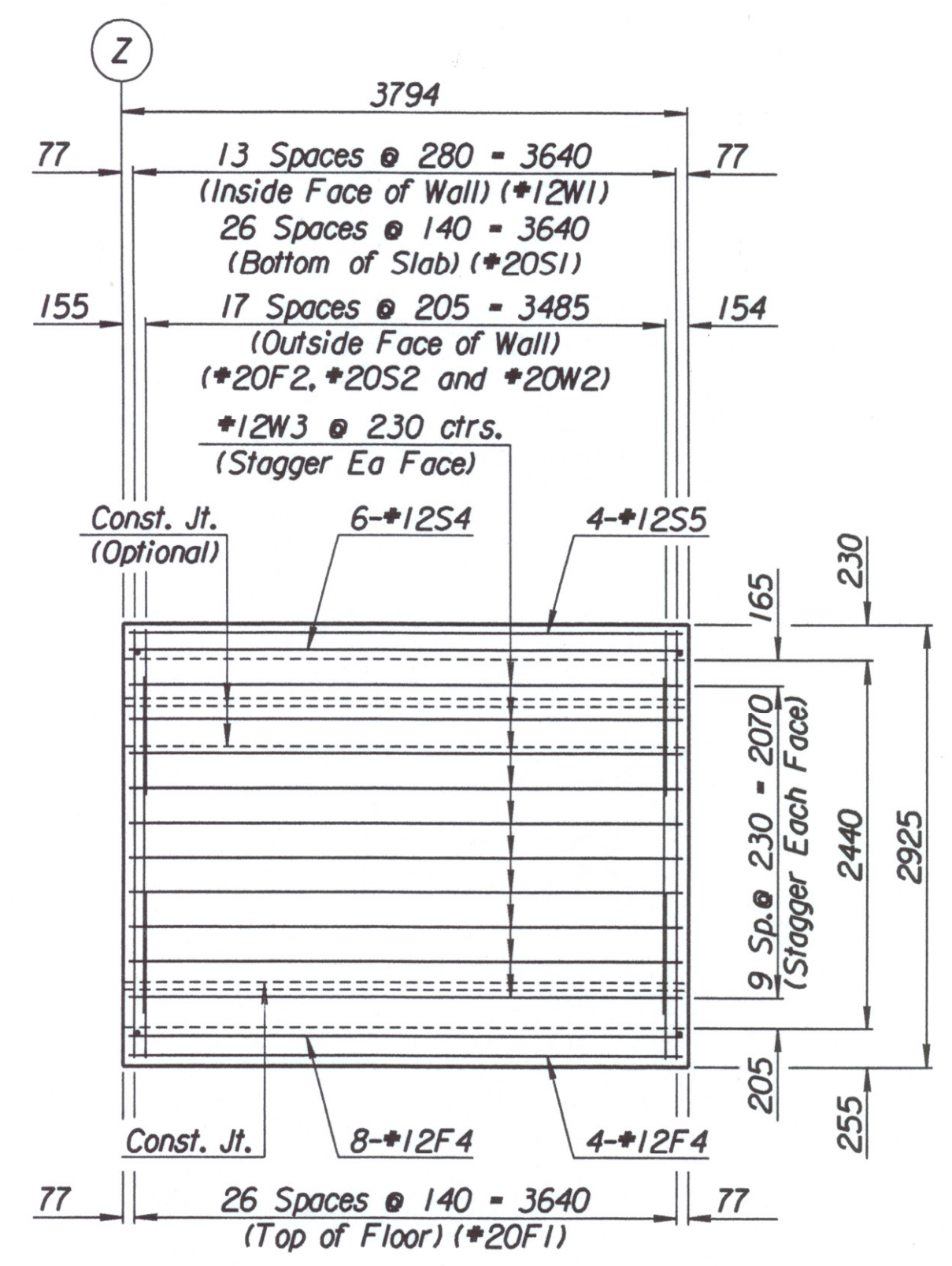
SECTION A-A
(Manhole Location)



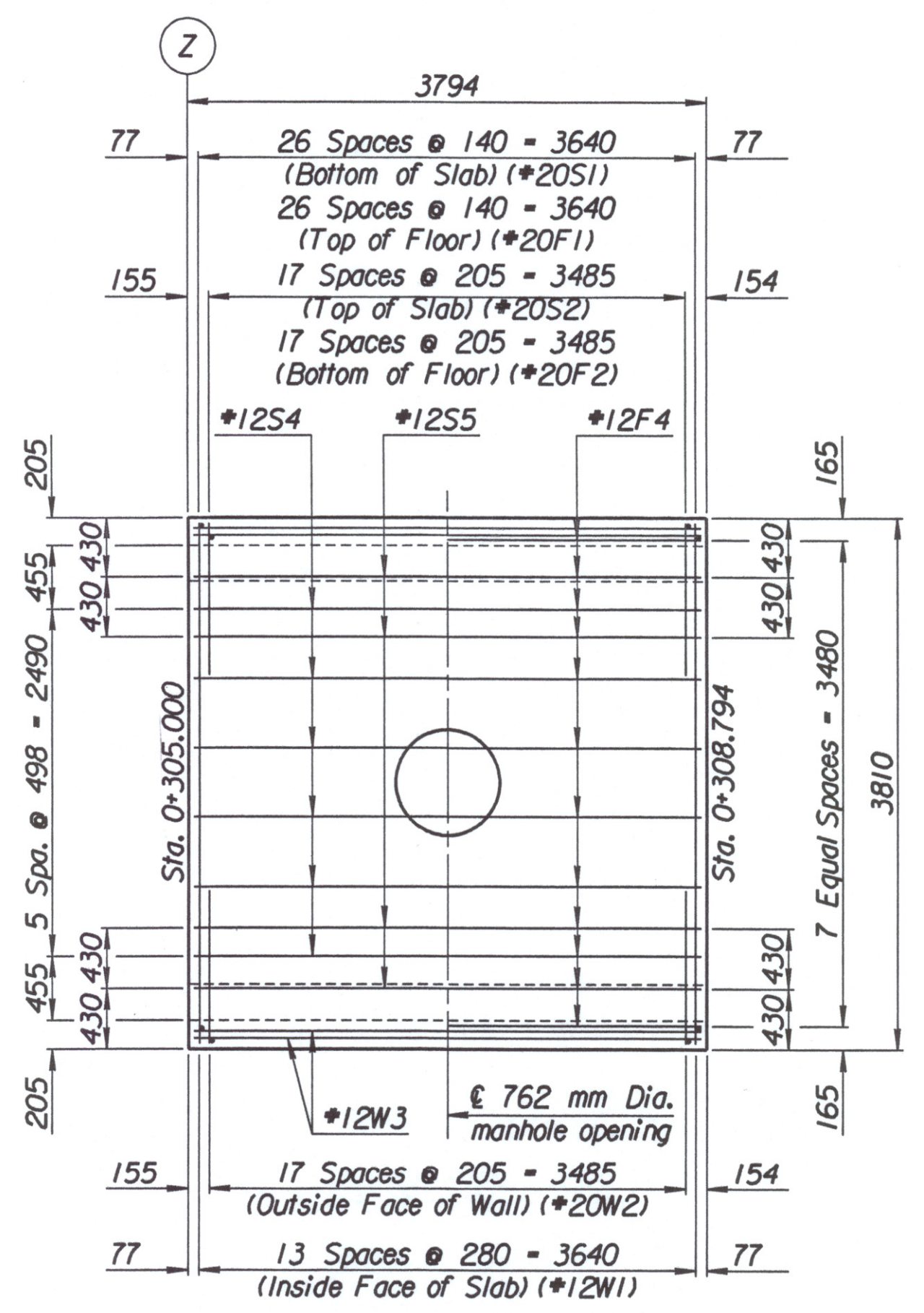
PLAN

SPECIAL MANHOLE DETAILS

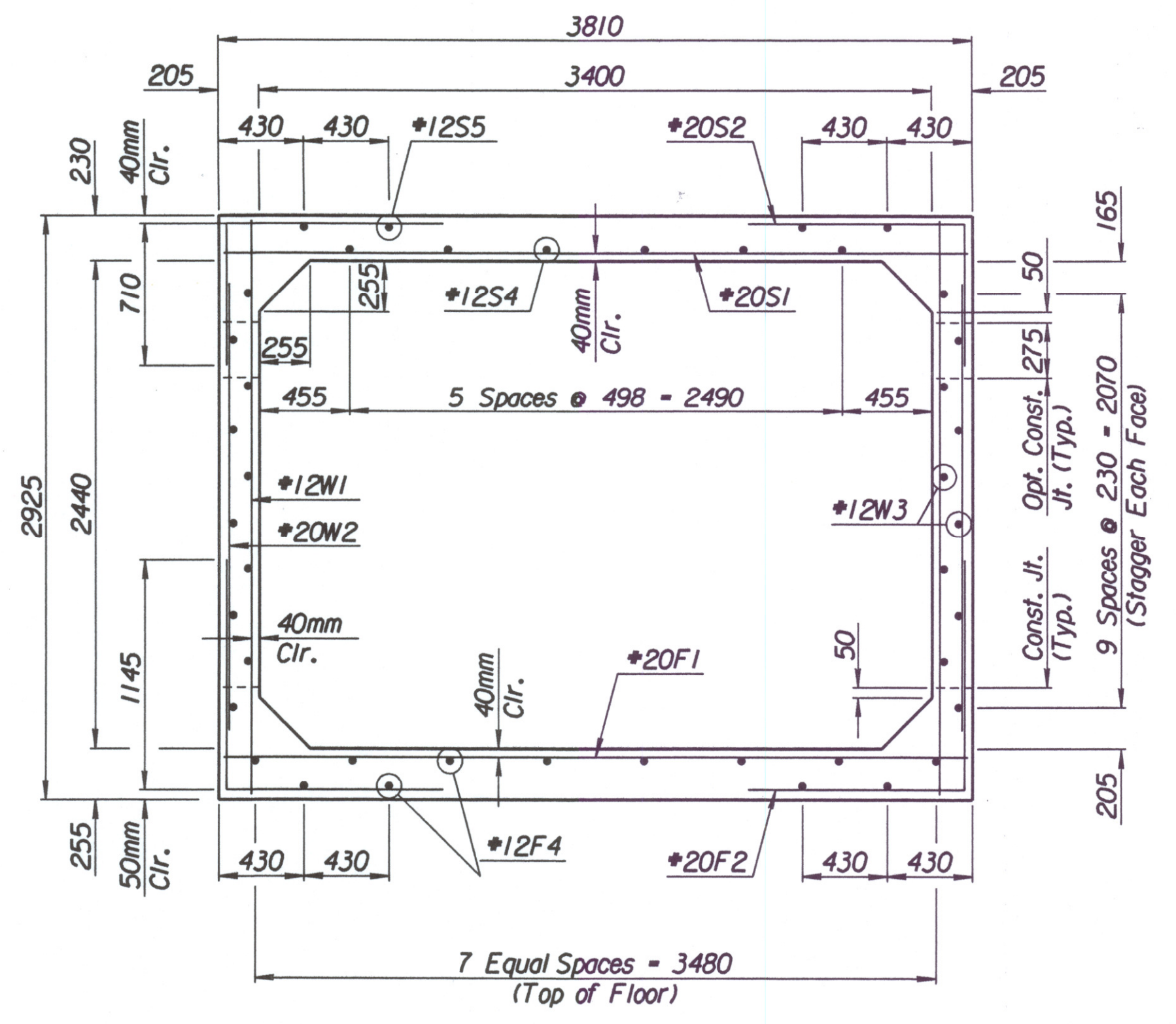
Note:
Cut or bend steel to clear Manhole Opening by 40 mm. Place additional 6-#20x3710 mm Bars and 1-#20 CI Bar.



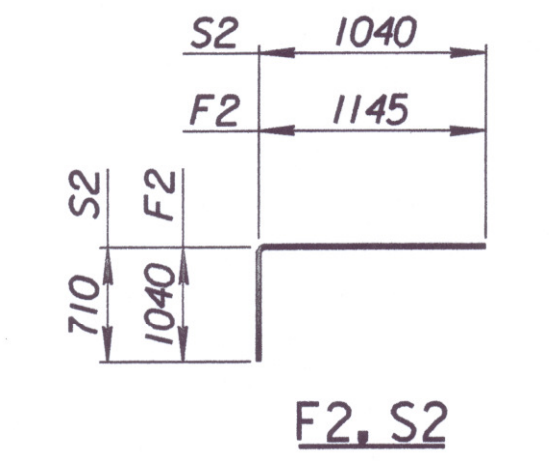
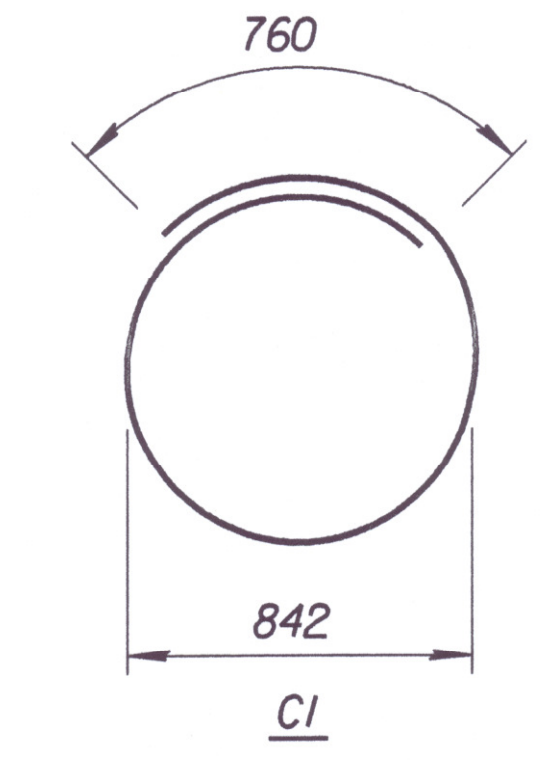
ELEVATION



PLAN



TYPICAL SECTION



BENDING DIAGRAMS
Dimensions are out to out of bars

REINFORCING STEEL							
Straight Bars				Bent Bars			
Mark	No.	Size	Length	Mark	No.	Size	Length
F1	27	#20	3710	F2	36	#20	2185
F4	12	#12	3690	S2	36	#20	1750
S1	31	#20	3710				
S4	6	#12	3690				
S5	4	#12	3690	CI	1	#20	3410
W1	28	#12	2820				
W2	36	#20	2235				
W3	20	#12	3690				

SUMMARY OF QUANTITIES		
Item	Quantity	Unit
Class AAA Concrete	11.3	m ³
Reinforcing Steel (Grade 420)	1270	kg

Note:
Reinforcing steel schedule indicates reinforcing for ONE 3.4x2.4x3.794m R.F.B. Section.

See Plan Profile Sheets for location.
See Sheet No. 413 for General Notes.

ADDENDUM #1:
Sheet 417 The manholes on the RFB/RCB construction are as follows:

Manhole Station	H dimension	Top Elevation
0+043.576	1.845 m	403.749
0+306.897	2.711 m	405.124
0+662.143	3.072 m	405.850

Add the note:
Manhole risers shall be either pre-cast concrete or cast-in-place concrete. Details shall be provided by the Contractor as a shop drawing submittal for approval by the Engineer. All materials and work necessary for this construction is considered subsidiary to other items for RFB/RCB construction.

No.	Revisions	By	Date
-----	-----------	----	------

CITY OF WICHITA
3.4x2.4x3.794M R.F.B. DETAILS
AND MISC. DETAILS
KELLOGG (US-54)
SEDGWICK COUNTY

Professional Engineering Consultants, P.A.
303 S. TOPEKA • WICHITA, KANSAS 67202
316-262-2691 • FAX 316-262-3003

Designed by	R.W.A.	Checked by	R.A.S.
Drawn by	W.L.L.	Date	Apr 11, 2002

Job No. 97362