

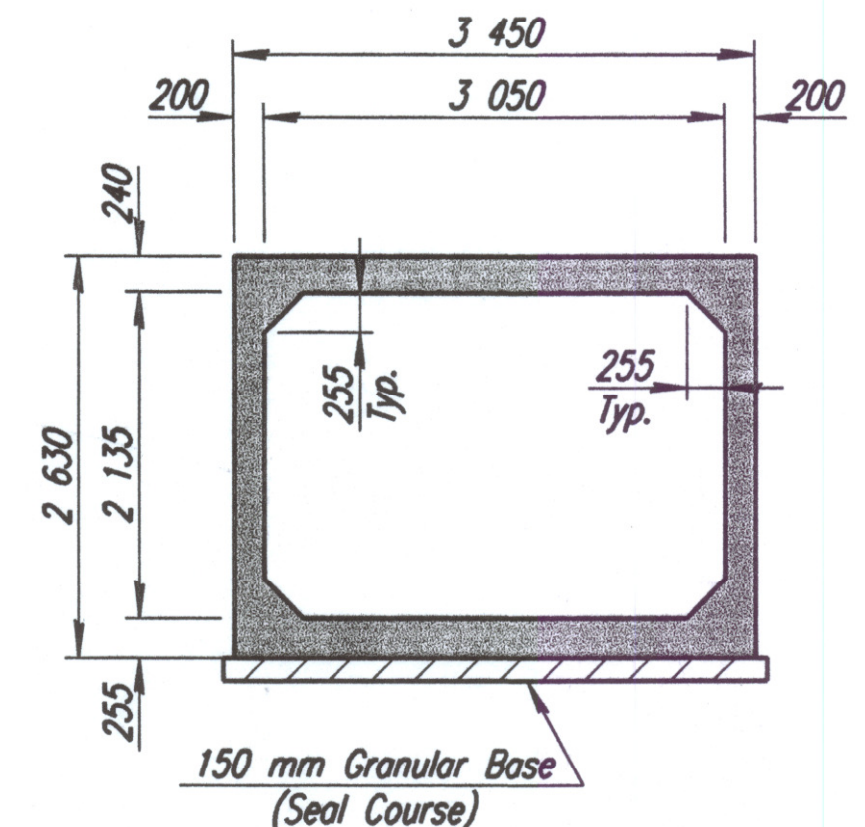
PLAN

Indicates Reinforced Concrete Box - 3.0 x 2.1 m

R.C.B. CONSTRUCTION SEQUENCE

- Construct 17-3.0 x 2.1 x 12.2 m R.C.B. Sections from Sta. 0+366.000 to Sta. 0+573.400. Sections EE to VV. See Sheet No. 422.
- Construct Special 3.0 x 2.1 x 12.2 m Cast-In-Place R.C.B. at P.I. Sta. 0+578.661. Sections VV to WW. See Sheet No. 423.
- Construct 6-3.0 x 2.1 x 12.2 m R.C.B. Sections from Sta. 0+585.600 to Sta. 0+658.800. Sections WW to CCC. See Sheet No. 422.
- Construct Special 3.0 x 2.1 x 12.2 m Cast-In-Place R.C.B. at P.I. Sta. 0+662.143. Sections CCC to DDD. See Sheet No. 424.
- Construct Special 3.0 x 2.1 x 7.907 m Cast-In-Place R.C.B. at P.I. Sta. 0+676.907. Sections DDD to EEE. See Sheet No. 425. Tie New R.C.B. 3.0 x 2.1 m into Existing 3.0 x 2.1 m R.C.B. at Sta. 0+678.907 EEE.
- R.C.B. Construction shown is for Cast-In-Place Construction. The Contractor has the Option of Constructing either Cast-In-Place or Precast R.C.B.'s. Should the Contractor use the Precast Option, Details for the Precast Sections must be submitted to the Engineer for Approval. Precast Sections will be between EE to VV and WW to CCC. Payment for the Structures will be the same regardless of which option is used for Construction.
- See Sheet No. 413 for R.C.B. General Notes.
- See Sheet No. 432 for Standard Precast Concrete Box Details.
- A Seal Course shall be Constructed below the Precast Box option and shall consist of 75 mm of Class A Concrete or a 150 mm Granular Base (Type BD-1 or UD-1) at the Contractor's Option.
- Construction Joints shall only be formed at Locations shown or as approved by the Engineer.

RECAPITULATION OF QUANTITIES	
EE to VV	3.0 x 2.1 m R.C.B. (Cast-In Place)
	Class AAA Concrete ($f'c=28$ MPa) 510.0 m ³
	Reinforcing Steel (Grade 420) 35 360 kg
VV to WW	3.0 x 2.1 m R.C.B. (Cast-In Place) at P.I. Sta. 0+578.661
	Class AAA Concrete ($f'c=28$ MPa) 30.0 m ³
	Reinforcing Steel (Grade 420) 2090 kg
WW to CCC	3.0 x 2.1 m R.C.B. (Cast-In Place)
	Class AAA Concrete ($f'c=28$ MPa) 180.0 m ³
	Reinforcing Steel (Grade 420) 12 480 kg
CCC to DDD	3.0 x 2.1 m R.C.B. (Cast-In Place) at P.I. Sta. 0+662.143
	Class AAA Concrete ($f'c=28$ MPa) 30.0 m ³
	Reinforcing Steel (Grade 420) 2130 kg
DDD to EEE	3.0 x 2.1 m R.C.B. (Cast-In Place) at P.I. Sta. 0+667.907
	Class AAA Concrete ($f'c=28$ MPa) 19.5 m ³
	Reinforcing Steel (Grade 420) 1340 kg



TYPICAL PRECAST SECTION
Proposed Option

Note: See Sheet No. 418 for Transition Details and Joint Details.

1			
No.	Revisions	By	Date
CITY OF WICHITA			
GENERAL NOTES AND MISC. DETAILS-3.0 x 2.1 m R.C.B.			
STA. 0+366.000 TO STA. 0+678.907			
SEDGWICK COUNTY			
Professional Engineering Consultants, P.A. 303 S. TOPEKA • WICHITA, KANSAS 67202 316-262-2691 • FAX 316-262-3003			
Designed by	RWA	Checked by	RAS
Drawn by	GDR	Date	April, 2002 Job No. 97362

DSNR: RWA OPER: GDR SCALE: 1:500
 4/1997/97362/001/rcb/10a/ignote.dgn Last Rev: 2-11-2002 By: ras