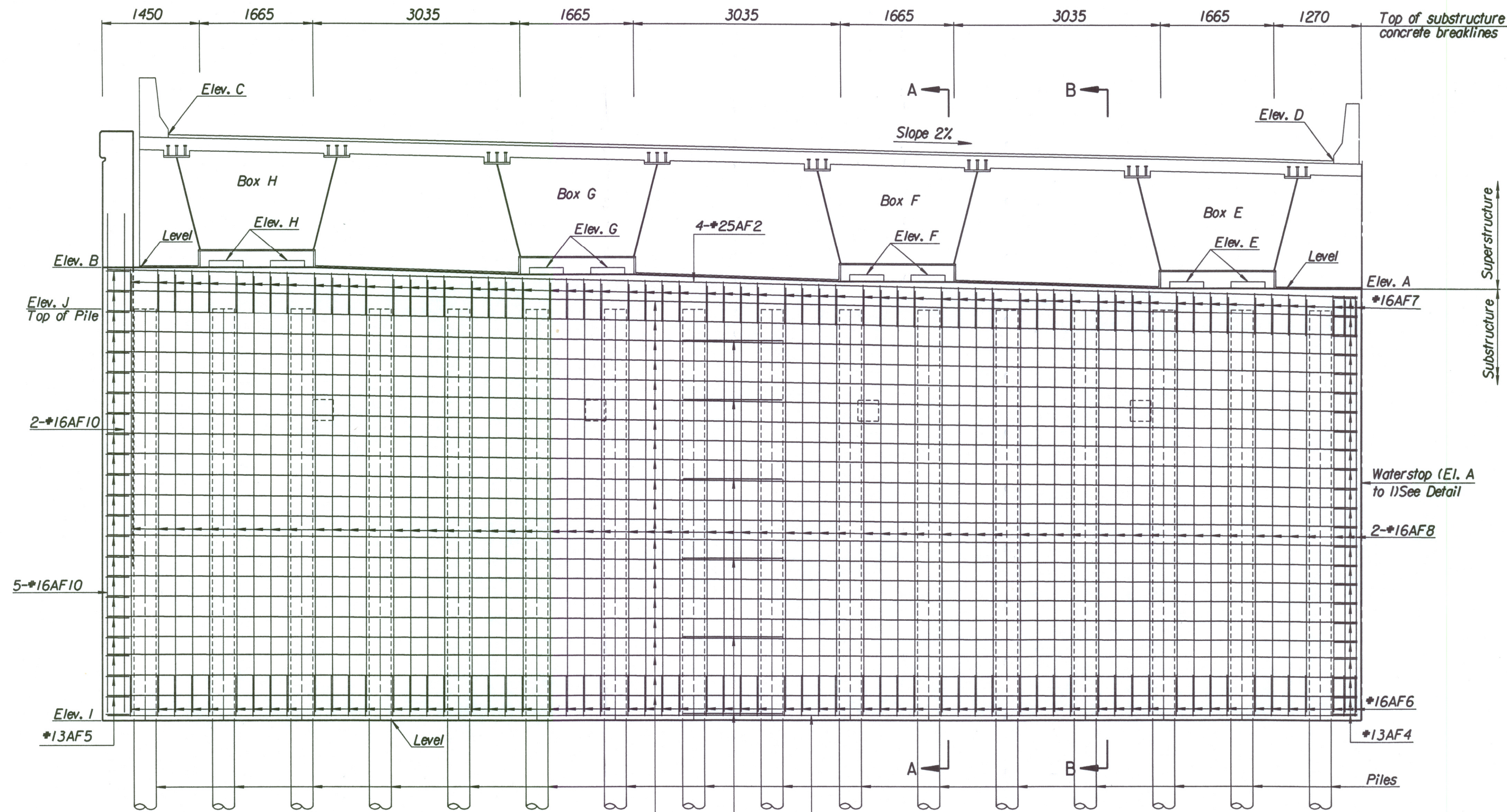
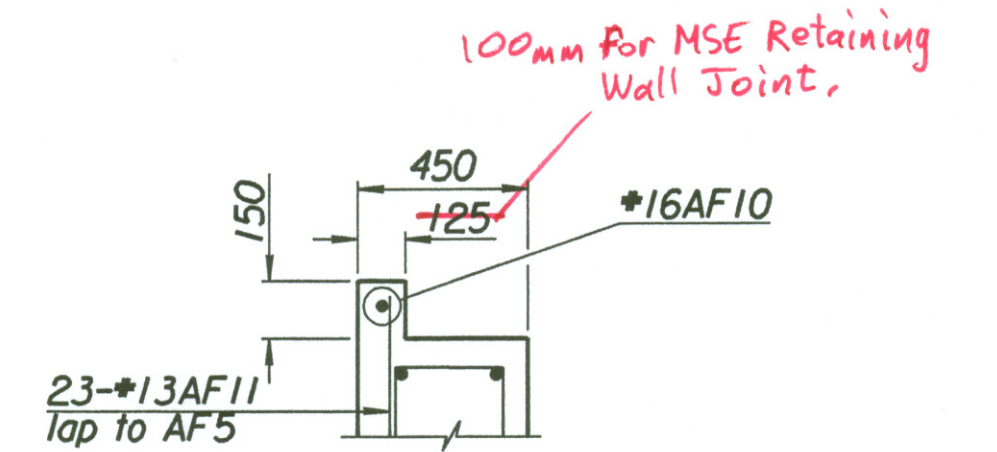
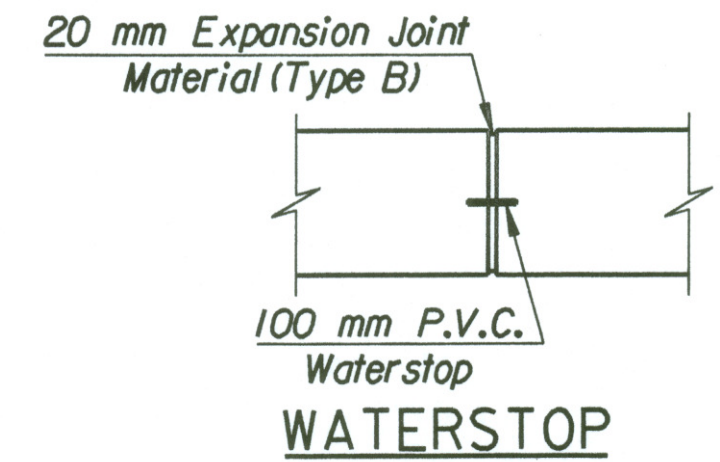


STATE	PROJECT NO.	YEAR	SHEET NO.	TOTAL SHEETS
KANSAS	54-87 K-6657-01	2002	445	1122



LEGEND:
 N.F. = Near Face
 F.F. = Far Face
 E.F. = Each Face



PARTIAL PLAN

This detail complies with the Alt. No. 2.
 NOTE: For Alt. No. 1 detail see plan this sheet.
 Additional reinforcing required for Alt. No. 2 bid is 1-*16AF10 and 23-*13AF11. Additional concrete and reinforcing are considered subsidiary.

ELEVATION
 Abutment No. 1 shown looking backstation
 Abutment No. 2 similar mirrored about & Brg.

TABLE OF ELEVATIONS

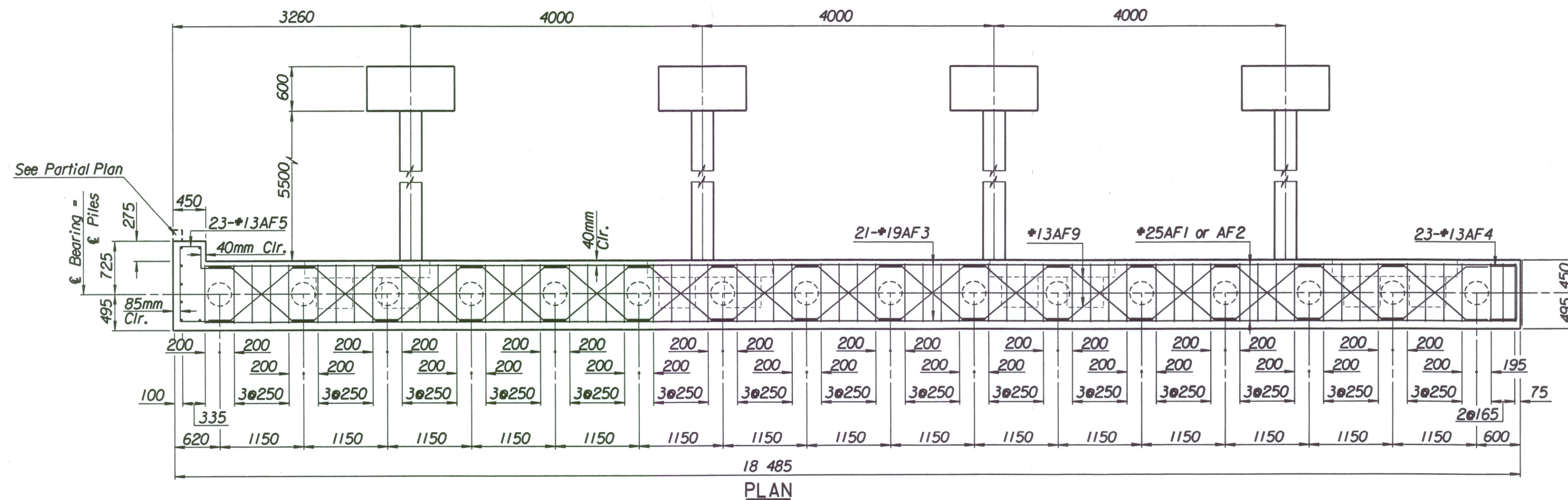
Location	Abut. #1 Elevation	Abut. #2 Elevation
Elev. A	408.914	408.500
Elev. B	409.196	408.783
Elev. C	411.146	410.733
Elev. D	410.806	410.392
Elev. E	409.011	408.597
Elev. F	409.105	408.691
Elev. G	409.199	408.786
Elev. H	409.293	408.880
Elev. I	402.636	402.220
Elev. J	408.710	408.300

408.996
 409.090
 409.184
 409.278

408.582
 408.676
 408.771
 408.865

Abutment Pile Loadings (kN)

Group I Loading	Actual	Allowable
	425	440



PLAN

No.	Revisions	By	Date
CITY OF WICHITA			
BR. NO. 54-87-19.06(491) E.B.		STA. 15+612.397	
KELLOGG OVER MAIZE ROAD ABUTMENT DETAILS			
SEDGWICK COUNTY			
Professional Engineering Consultants, P.A. 303 S. TOPEKA - WICHITA, KANSAS 67202 316-262-2691 • FAX 316-262-3003			
Designed by	RAS	Checked by	RAS
Drawn by	RAS	Date	April 11, 2002
		Job No.	97362

Drawn By: ras
 Plotted By: drp 3-22-2002
 I:/1997/97362/001/bridge/maizerd/abmt1eb.dgn