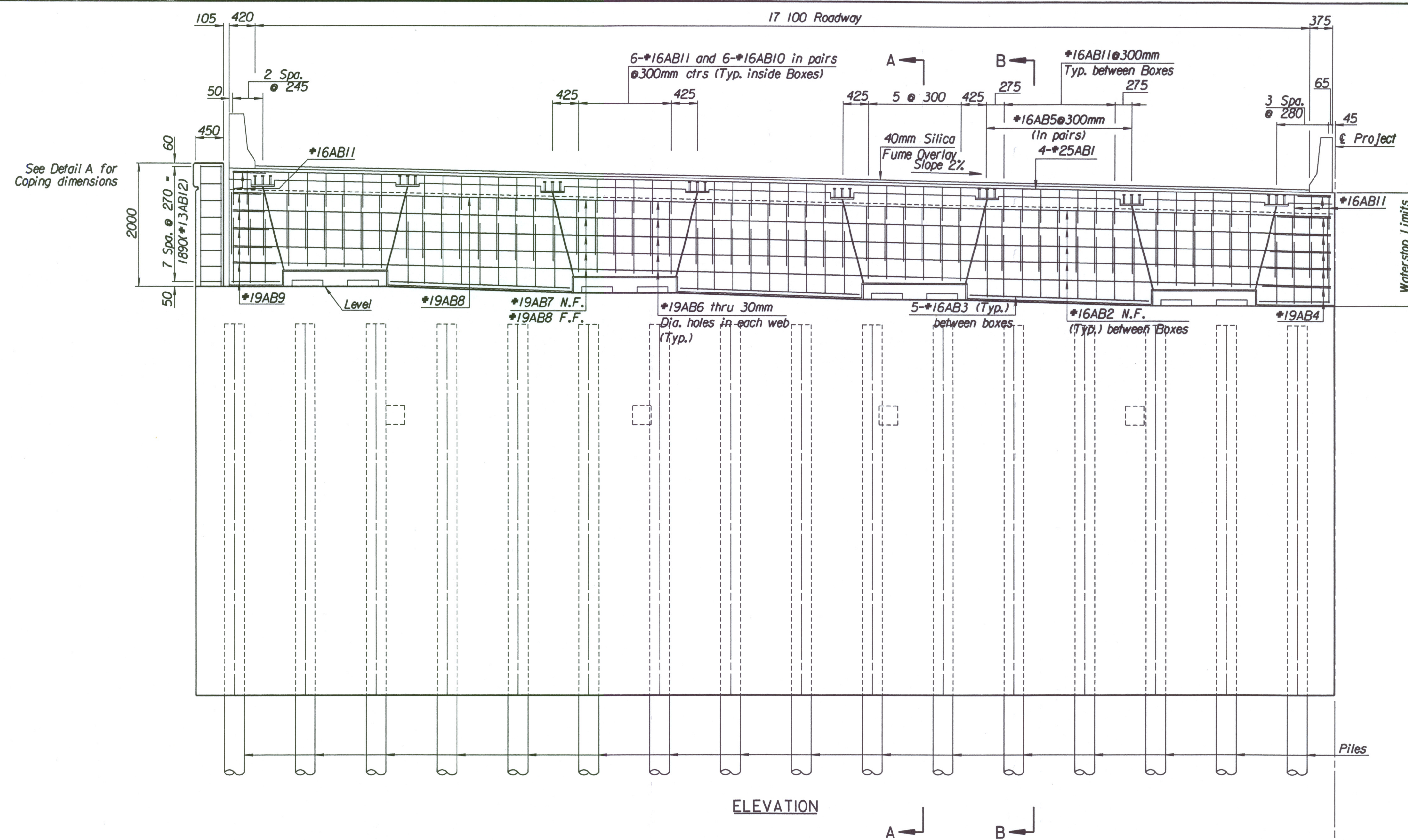
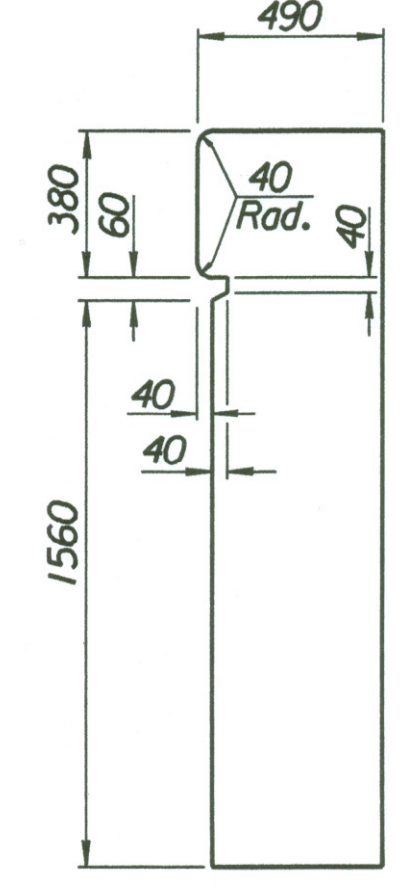
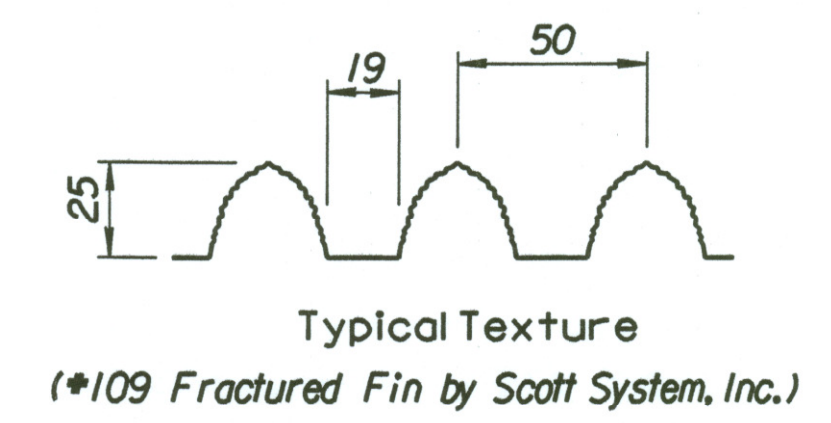


STATE	PROJECT NO.	YEAR	SHEET NO.	TOTAL SHEETS
KANSAS	54-87 K-6657-01	2002	446	1122

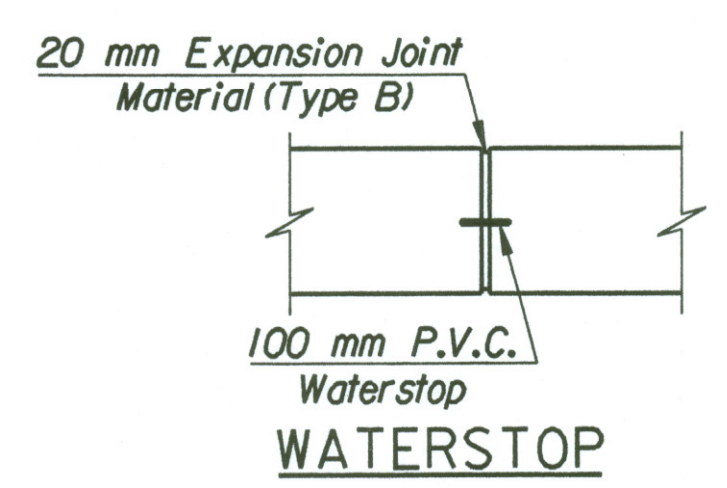


See Detail A for Coping dimensions

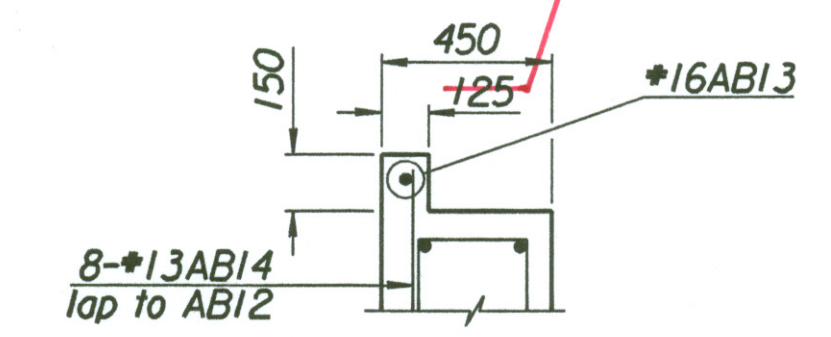


SUPERSTRUCTURE DETAIL A

LEGEND:
 N.F. = Near Face
 F.F. = Far Face
 E.F. = Each Face



100mm for MSE Retaining Wall Joint.

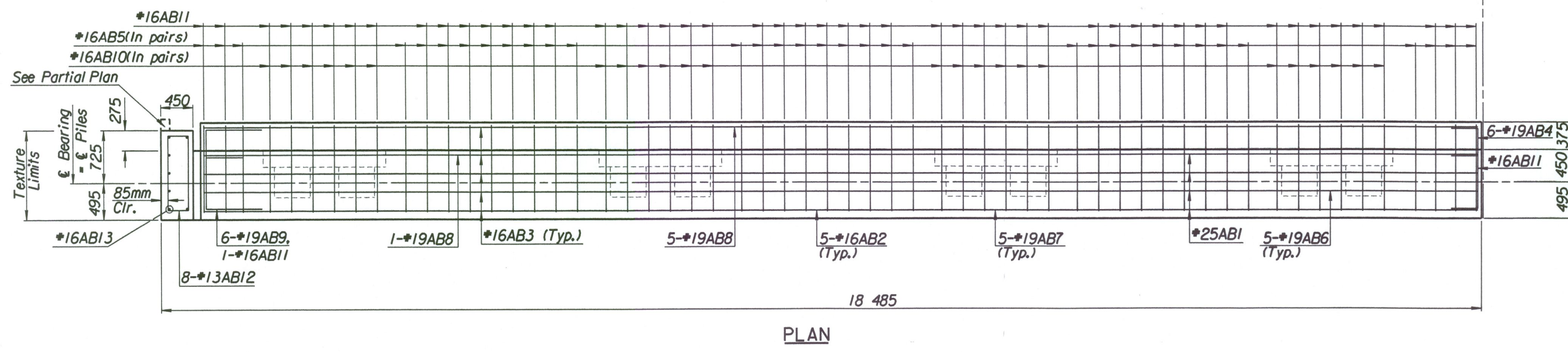


PARTIAL PLAN

This detail complies with the Alt. No. 2.
 NOTE: For Alt. No. 1 detail see plan this sheet.
 Additional reinforcing required for Alt. No. 2 bid is 1-#16AB13 and 8-#13AB14. Additional concrete and reinforcing are considered subsidiary.

Abutment No. 1 shown looking backstation
 Abutment No. 2 similar mirrored about & Brg.

ELEVATION



PLAN

Drawn By: ras
 Plotted By: drp 3-26-2002
 i:/1997/97362/001/bridge/maizerd/abmt1feb.dgn

No.	Revisions	By	Date
CITY OF WICHITA			
BR. NO. 54-87-19.06(491) E.B.		STA. 15+612.397	
KELLOGG OVER MAIZE ROAD			
ABUTMENT DETAILS			
SEDGWICK COUNTY			
Professional Engineering Consultants, P.A.			
303 S. TOPEKA - WICHITA, KANSAS 67202			
316-262-2691 · FAX 316-262-3003			
Designed by	RAS	Checked by	RAS
Drawn by	RAS	Date	April, 2002
		Job No.	97362