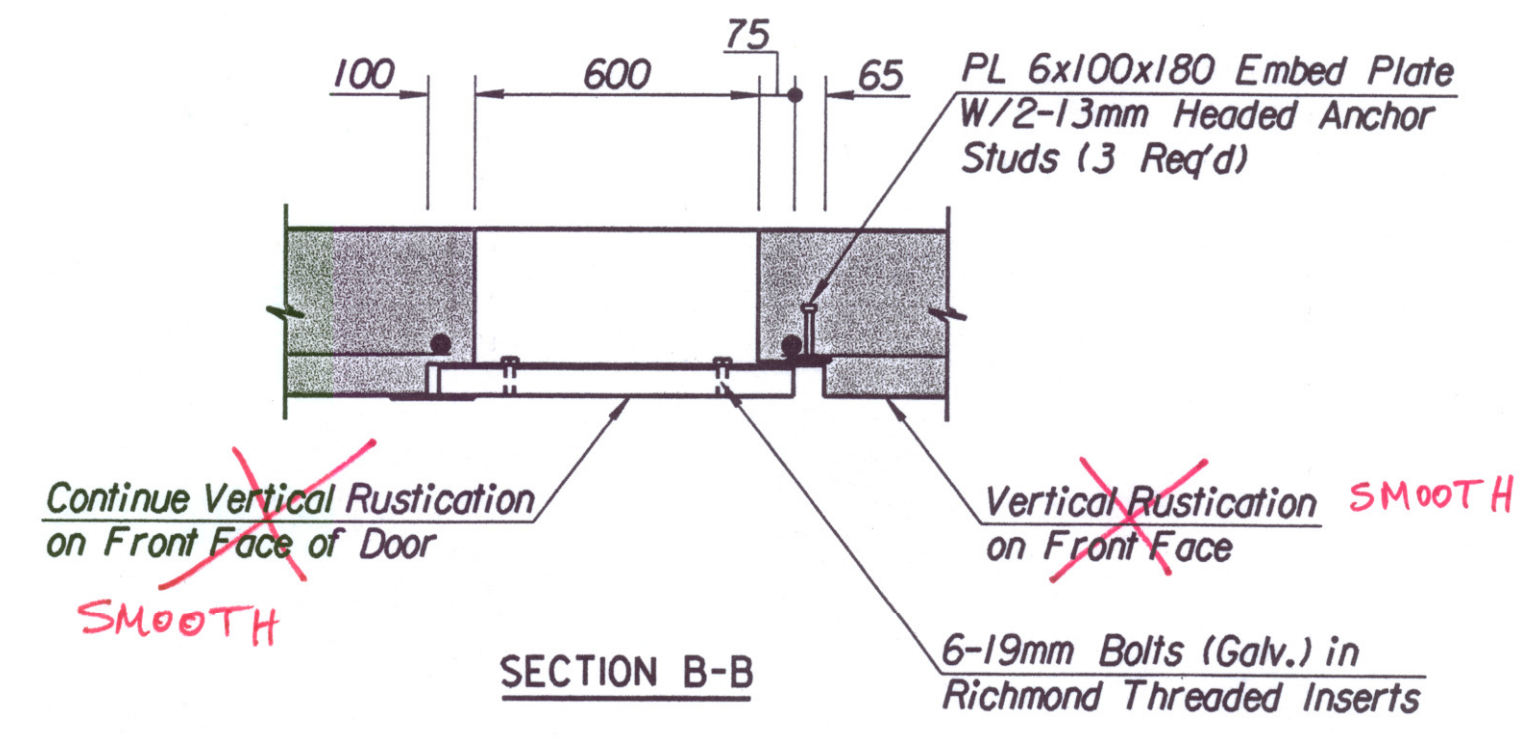
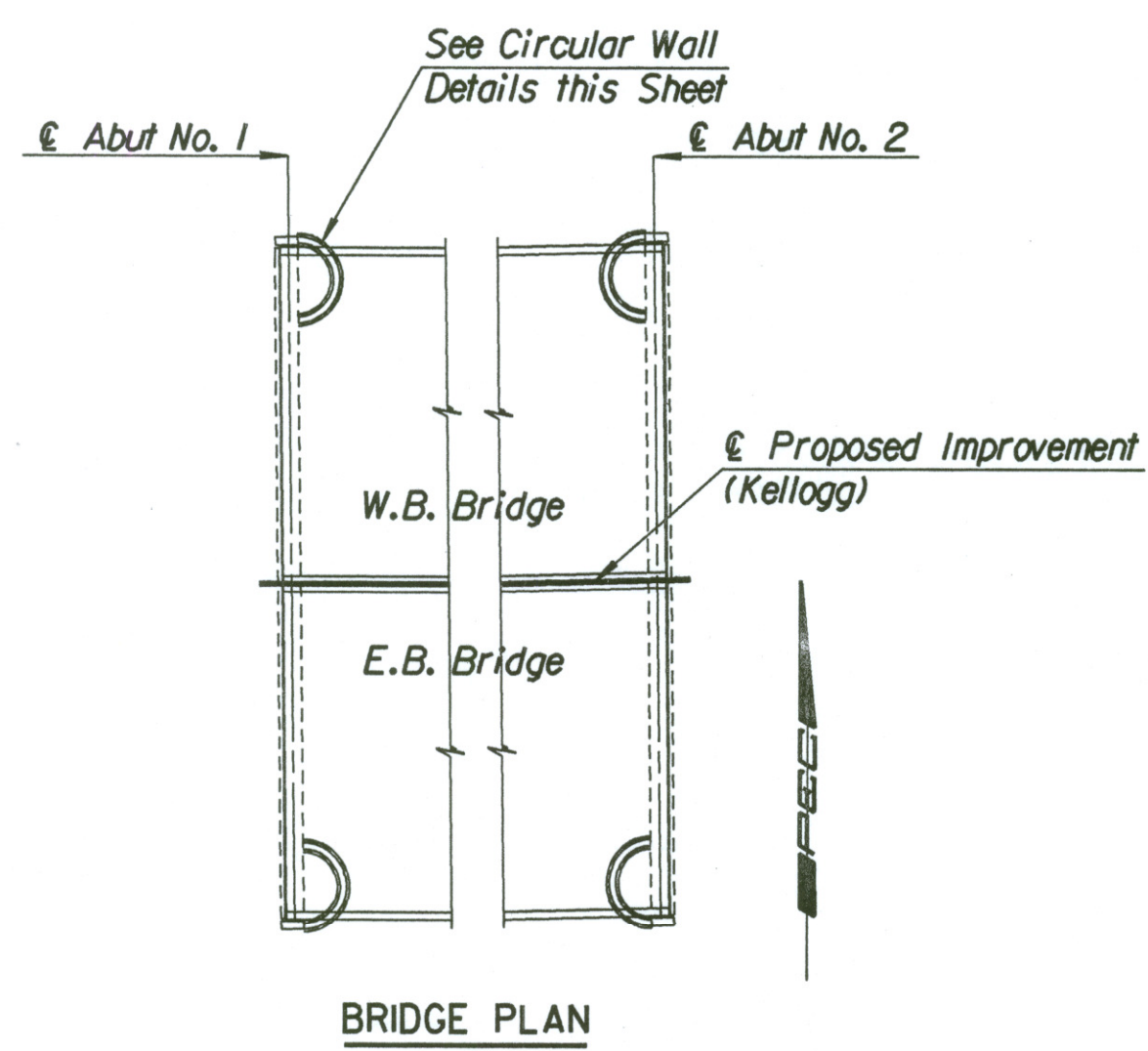


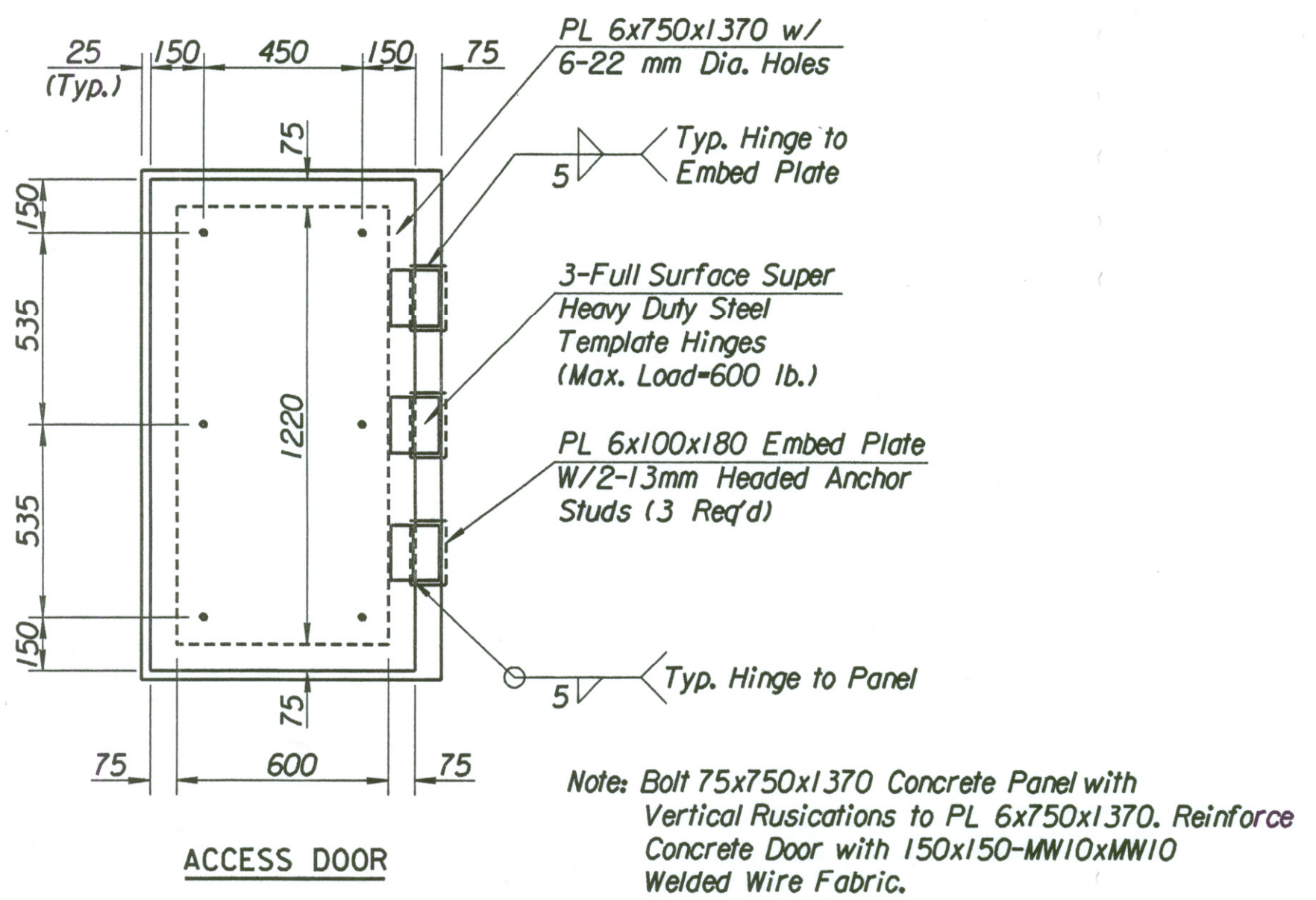
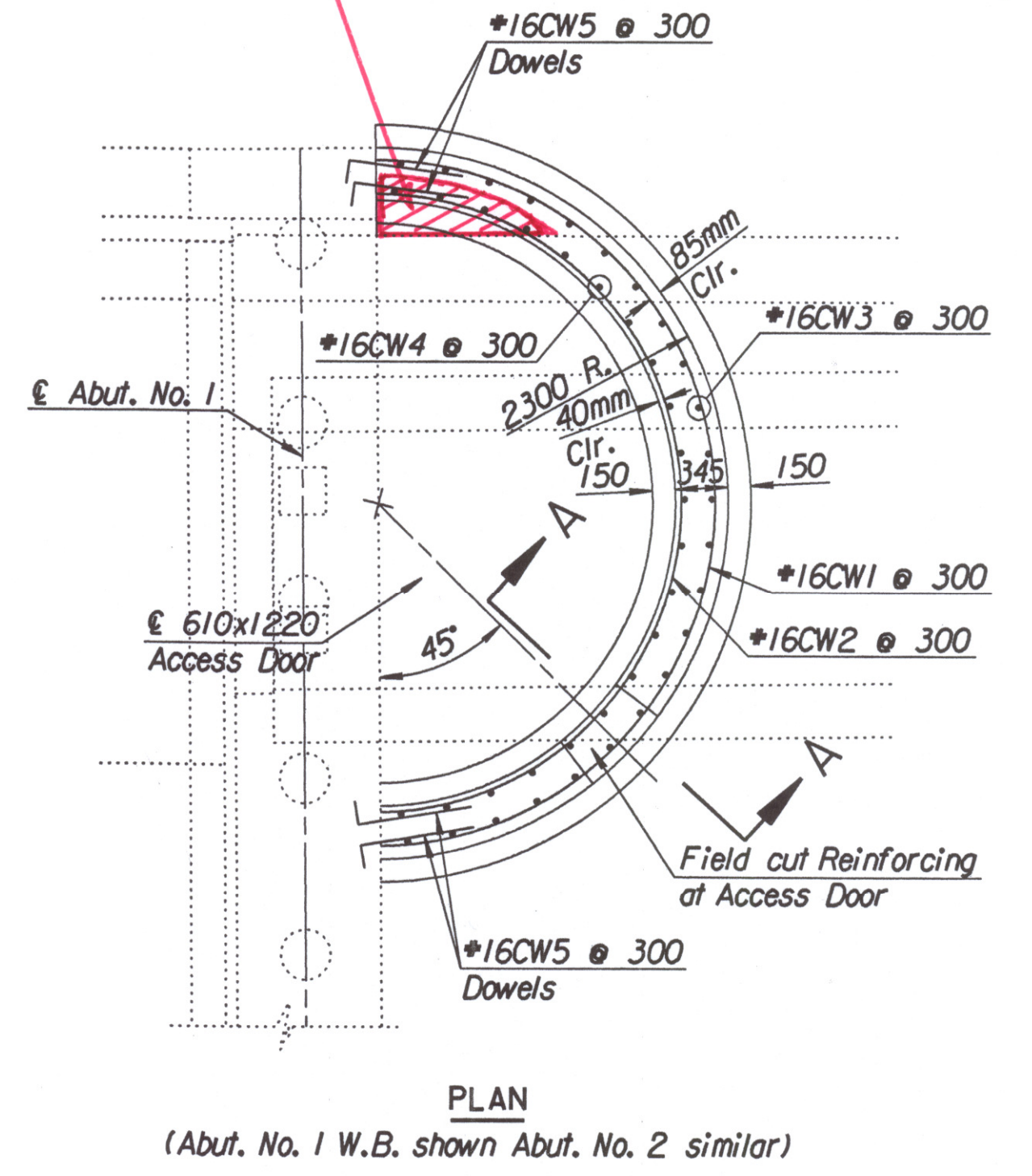
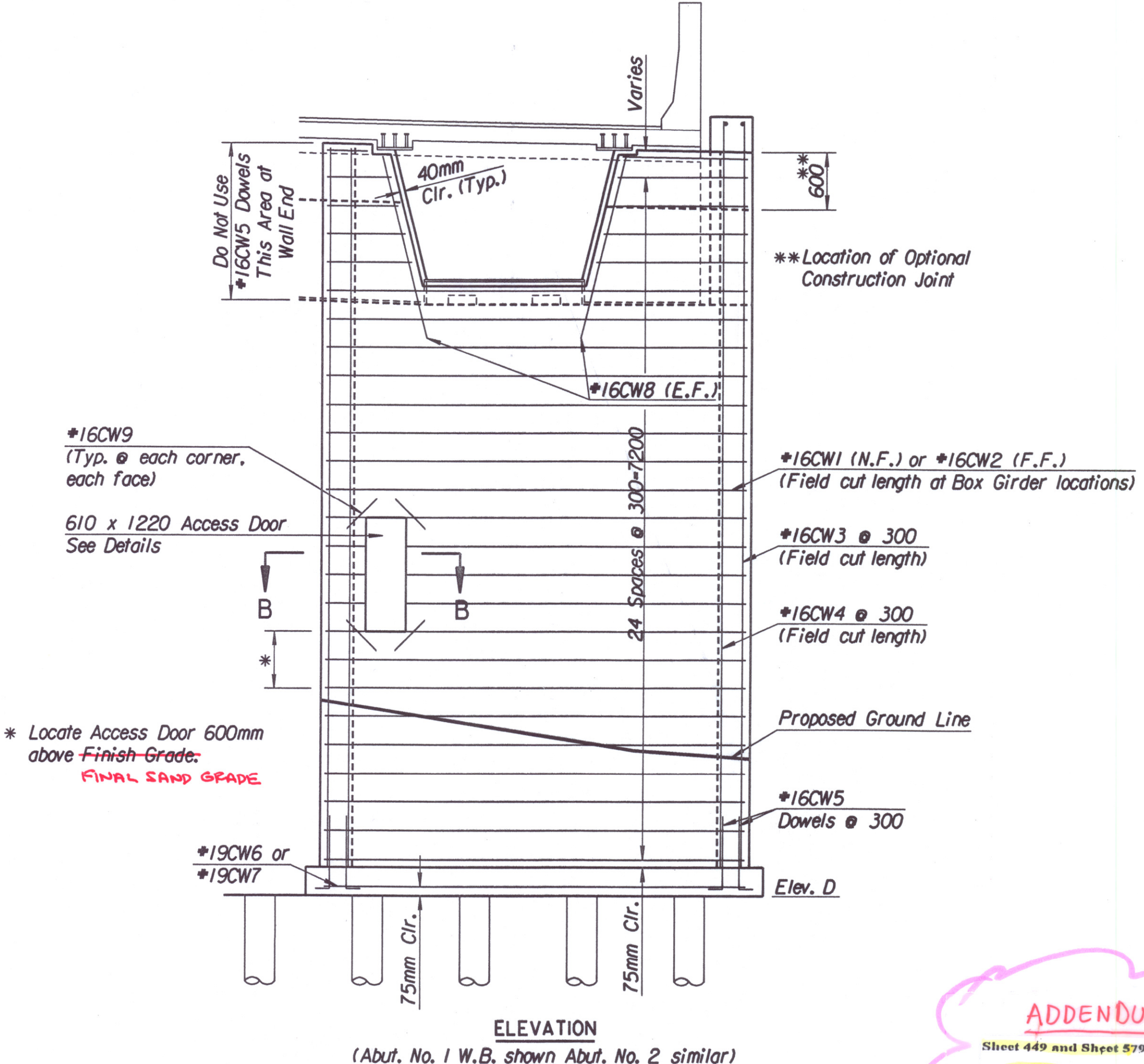
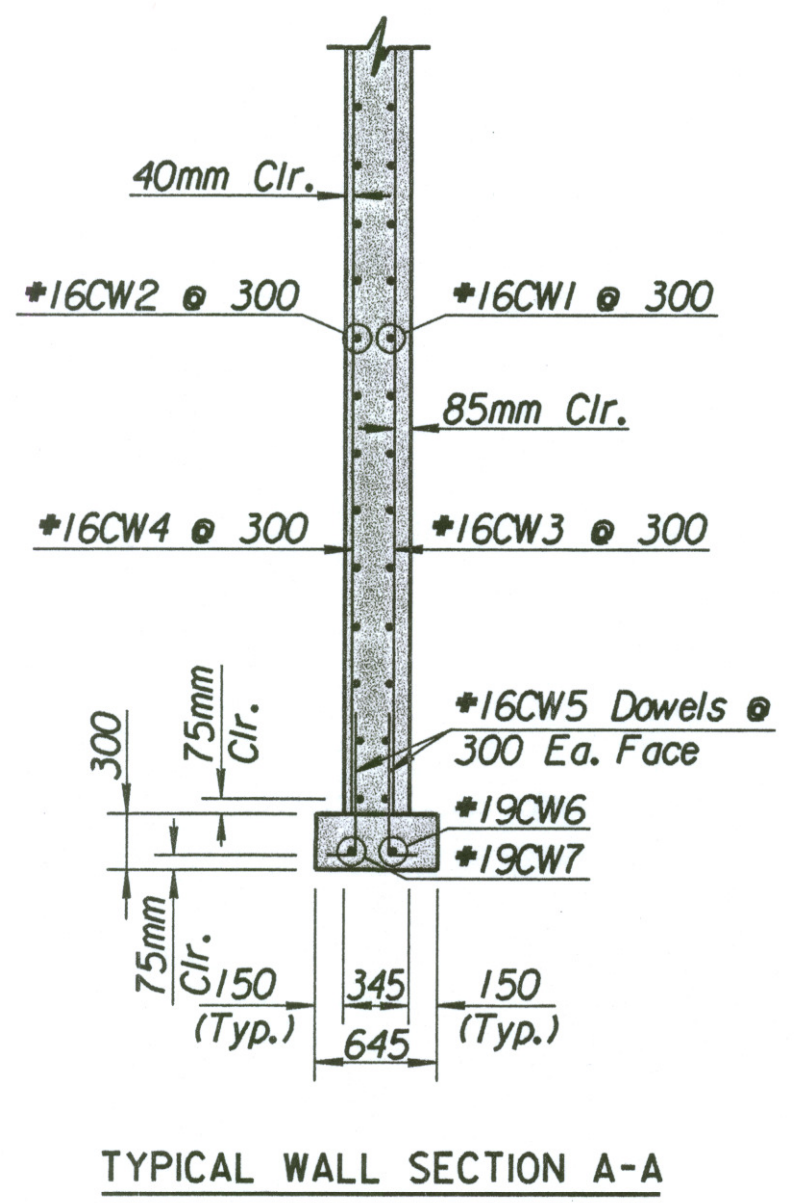
STATE	PROJECT NO.	YEAR	SHEET NO.	TOTAL SHEETS
KANSAS	54-87 K-6657-01	2002	449	1122

DATE	
BY	
REFERENCES NOTED	
REFERENCES CHECKED	



NOTE:

Bridge contractor field fitted and attached an angled, galvanized metal strip to cover exposed opening at top of semi-circular room to restrict excessive moisture gaining access to room. Metal strip was attached with screws and sealing compound in a manner that allowed some flexibility of metal strip during bridge structure movement. One (1) metal strip attached per semi-circular room location [four (4) total]. See Field Order 6-14-04.



ADDENDUM #1:

Sheet 449 and Sheet 579. Add the following notes:

1. The exterior exposed face of the circular walls including the access door shall be a smooth textured surface and finished with the "Surface Coating Finish" in accordance with the specifications. Circular walls shall be measured and paid for at the unit price bid for "Concrete (Grade 30)(AE) and Reinforcing Steel(Cr. 420). Quantities are included in the Substructure Quantities.

~~Access Door at Circular Wall locations is subsidiary to bid item Reinforced Concrete Circular Walls. Quantities for Circular Walls are listed in the Substructure Quantities on the General Notes sheets. No deductions in Concrete and Reinforcing were made for Access Door openings.~~

See Circular Wall Dimensions Sheet for Dimensions and Elevations.

No.	Revisions	By	Date
CITY OF WICHITA			
BR. NO. 54-87-19.05 (489) W.B.		STA. 15+612.397	
BR. NO. 54-87-19.06 (491) E.B.		STA. 15+612.397	
CIRCULAR WALL DETAILS			
MAIZE ROAD			
SEDGWICK COUNTY			
Professional Engineering Consultants, P.A.			
303 S. TOPEKA • WICHITA, KANSAS 67202 316-262-2691 • FAX 316-262-3003			
Designed by	RWA	Checked by	RAS
Drawn by	DRP	Date	April, 2002
		Job No.	97362

DSNR: RWA OPER: DRP SCALE: 40-1
 i:/1997/97362/001/BRIDGE/MAIZERD/CIRCULARWALL.DGN 2-26-2002 11:53:02 LAST REV: 3-21-2002 BY: DRP