

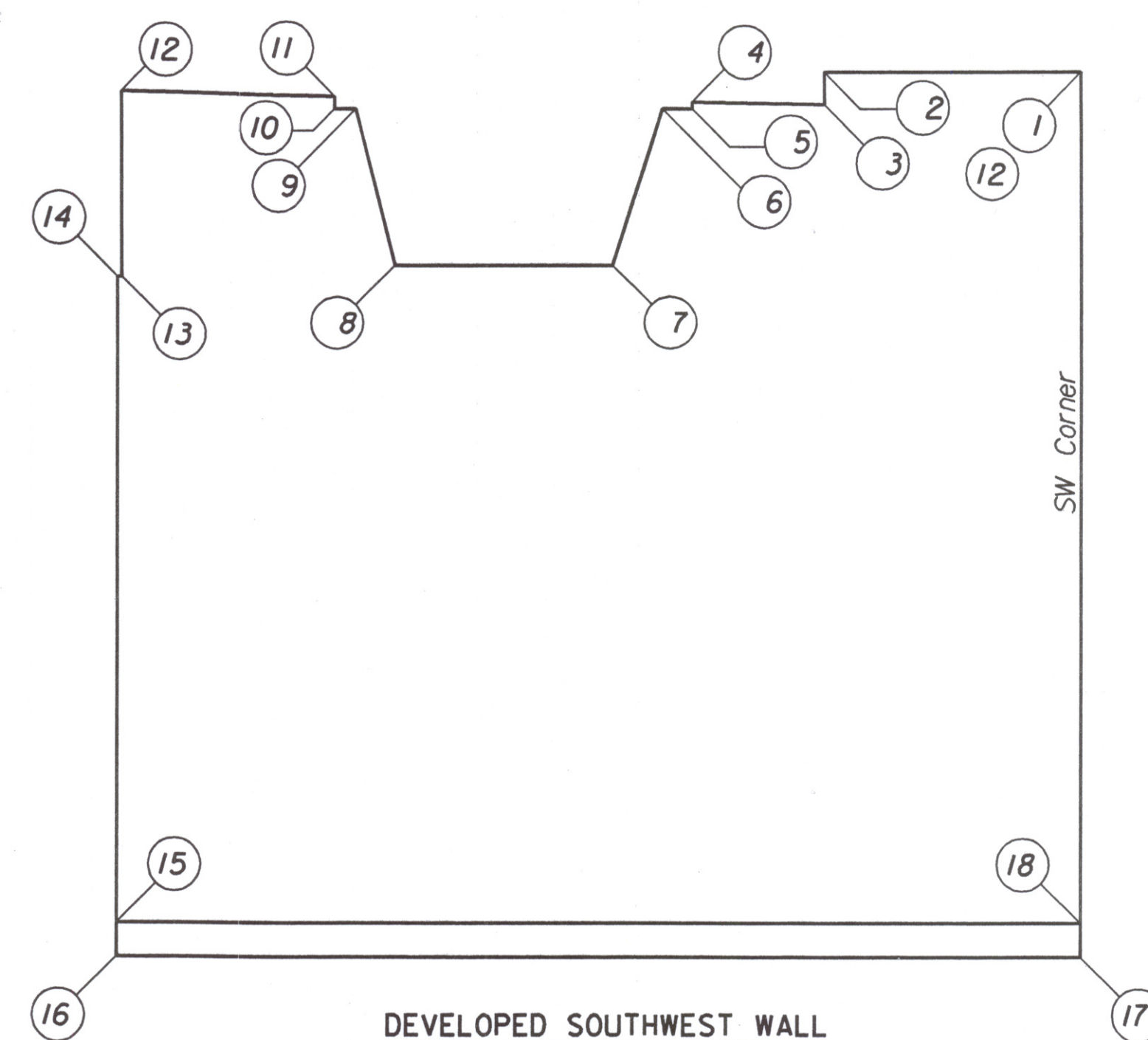
DEVELOPED NORTHWEST WALL

HORIZONTAL DEVELOPED WALL DISTANCES			
NEAR FACE		FAR FACE	
LINK	DISTANCE	LINK	DISTANCE
1-2	1.630	1-2	0.892
3-4	0.901	3-4	1.080
5-6	0.209	5-6	0.217
6-7	0.359	6-7	0.366
7-8	1.818	7-8	1.853
8-9	0.435	8-9	0.499
9-10	0.278	9-10	0.372
11-12	1.557	11-12	0.823
13-14	0.040	13-14	0.040

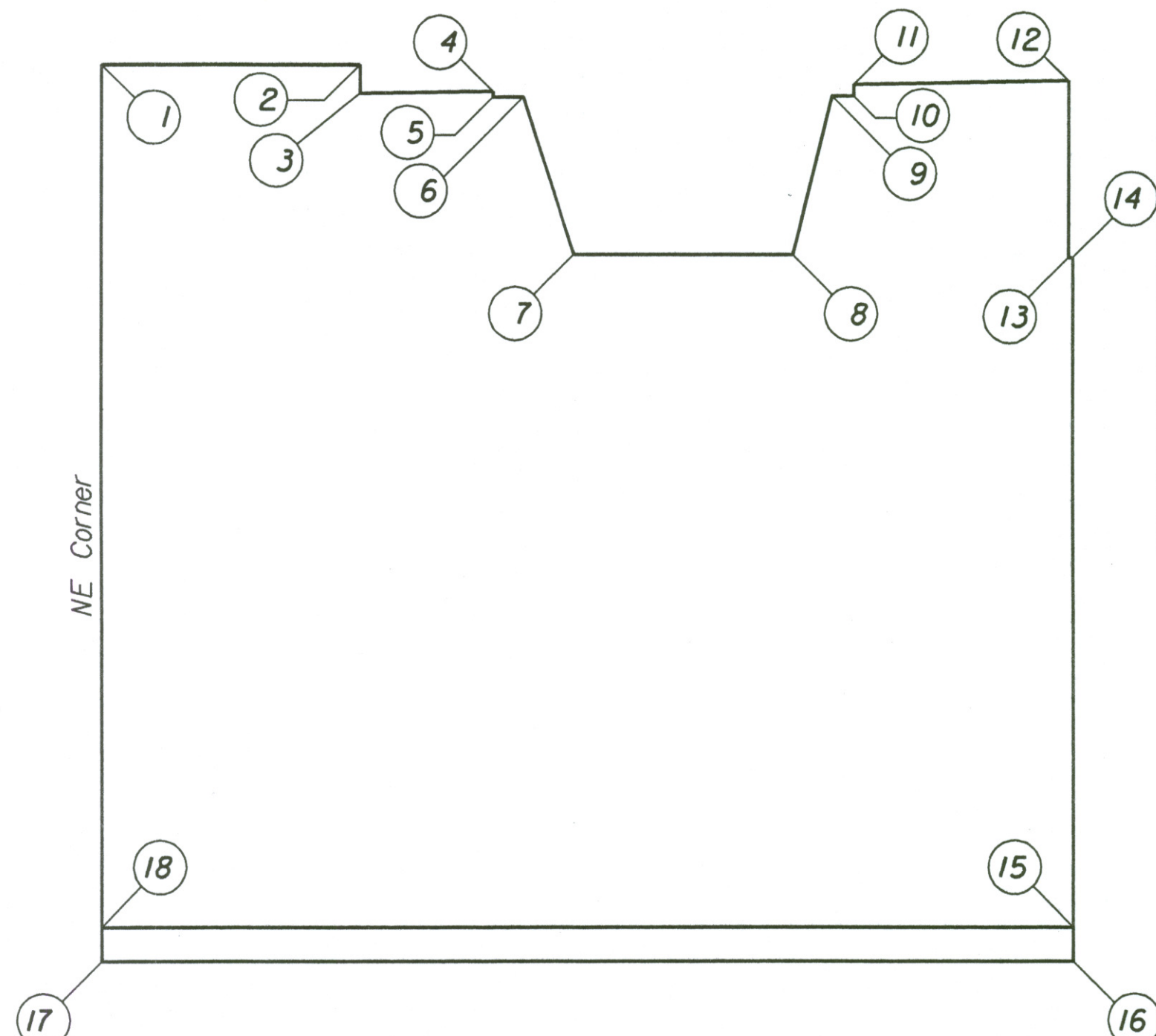
TABLE OF ELEVATIONS	
POINT	ELEV.
1	410.511
2	410.511
3	410.189
4	410.204
5	410.152
6	410.152
7	408.764
8	408.764
9	410.152
10	410.152
11	410.258
12	410.268
13	408.600
14	408.600
15	402.936
16	402.636
17	402.636
18	402.936

TABLE OF ELEVATIONS	
POINT	ELEV.
1	411.196
2	411.196
3	410.900
4	410.900
5	410.794
6	410.794
7	409.406
8	409.406
9	410.794
10	410.794
11	410.845
12	410.825
13	409.000
14	409.000
15	402.936
16	402.636
17	402.636
18	402.936

HORIZONTAL DEVELOPED WALL DISTANCES			
NEAR FACE		FAR FACE	
LINK	DISTANCE	LINK	DISTANCE
1-2	1.510	1-2	0.751
3-4	0.542	3-4	0.696
5-6	0.235	5-6	0.263
6-7	0.389	6-7	0.413
7-8	1.790	7-8	1.809
8-9	0.382	8-9	0.401
9-10	0.228	9-10	0.251
11-12	2.110	11-12	1.518
13-14	0.040	13-14	0.040



DEVELOPED SOUTHWEST WALL



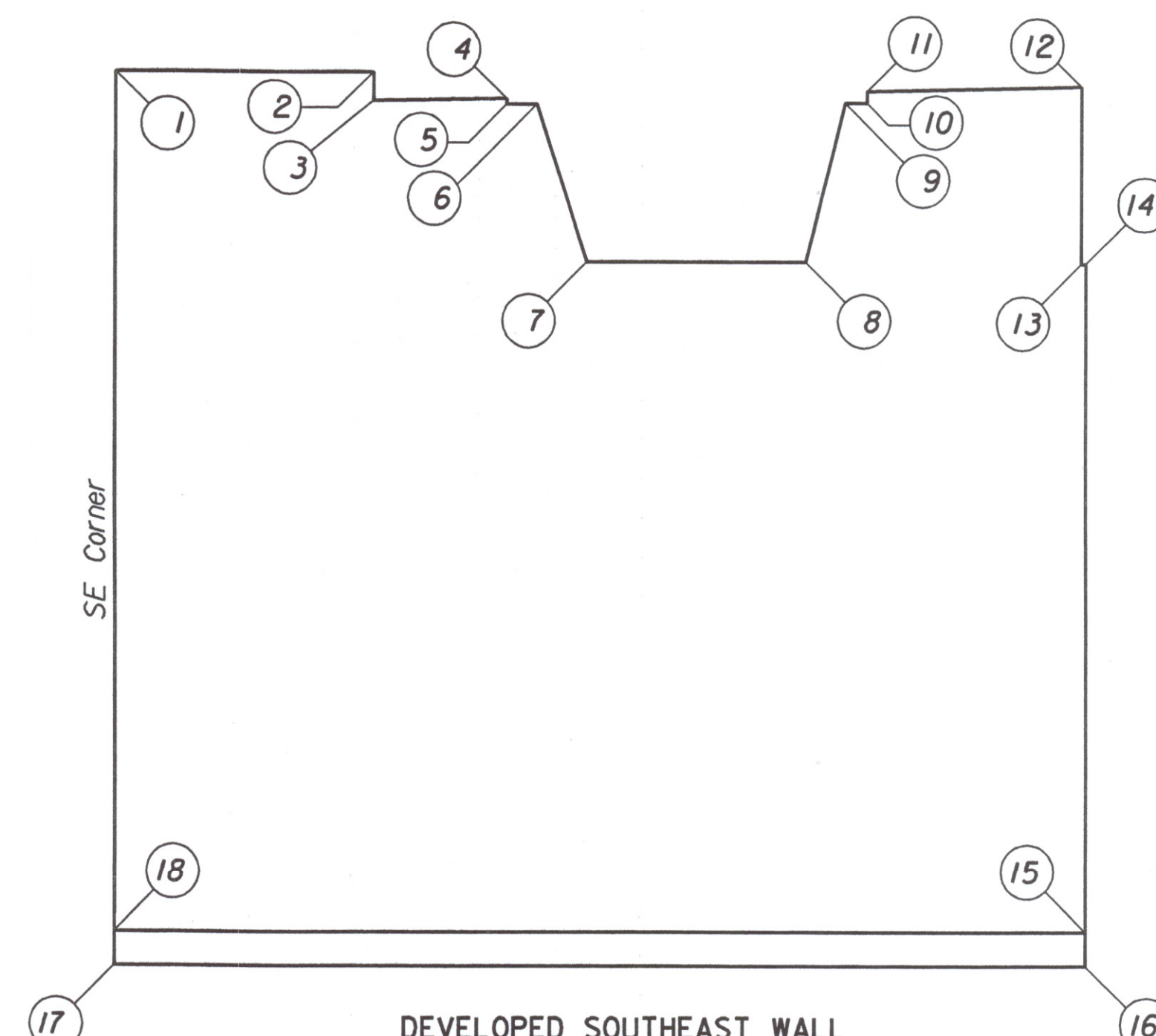
DEVELOPED NORTHEAST WALL

HORIZONTAL DEVELOPED WALL DISTANCES			
NEAR FACE		FAR FACE	
LINK	DISTANCE	LINK	DISTANCE
1-2	1.630	1-2	0.892
3-4	0.901	3-4	1.080
5-6	0.209	5-6	0.217
6-7	0.359	6-7	0.366
7-8	1.818	7-8	1.853
8-9	0.435	8-9	0.499
9-10	0.278	9-10	0.372
11-12	1.557	11-12	0.823
13-14	0.040	13-14	0.040

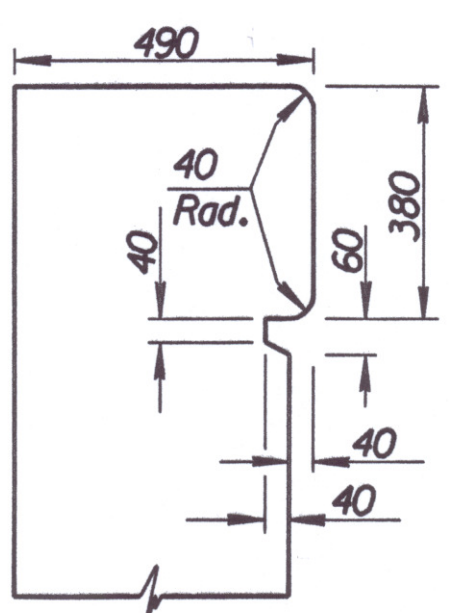
TABLE OF ELEVATIONS	
POINT	ELEV.
1	410.095
2	410.095
3	409.788
4	409.807
5	409.756
6	409.756
7	408.367
8	408.367
9	409.751
10	409.751
11	409.856
12	409.856
13	408.200
14	408.200
15	402.520
16	402.220
17	402.220
18	402.520

TABLE OF ELEVATIONS	
POINT	ELEV.
1	410.783
2	410.783
3	410.505
4	410.505
5	410.399
6	410.399
7	409.013
8	409.013
9	410.400
10	410.400
11	410.450
12	410.415
13	408.700
14	408.700
15	402.520
16	402.220
17	402.220
18	402.520

HORIZONTAL DEVELOPED WALL DISTANCES			
NEAR FACE		FAR FACE	
LINK	DISTANCE	LINK	DISTANCE
1-2	1.510	1-2	0.751
3-4	0.542	3-4	0.696
5-6	0.235	5-6	0.263
6-7	0.389	6-7	0.413
7-8	1.790	7-8	1.809
8-9	0.382	8-9	0.401
9-10	0.228	9-10	0.251
11-12	2.110	11-12	1.518
13-14	0.040	13-14	0.040



DEVELOPED SOUTHEAST WALL



WALL CAP
Typical
Link 1-2

DSNR: RWA OPER: DRP SCALE: 1:1997/97362/001/BRIDGE/MAIZERD/CIRCULARWALL.DGN 2-26-2002 11:53:02 LAST REV: 3-21-2002 BY: svb

No.	Revisions	By	Date
CITY OF WICHITA BR. NO. 54-87-19.05(489) W.B. STA. 15+612.397 BR. NO. 54-87-19.06(491) E.B. STA. 15+612.397 CIRCULAR WALL DIMENSIONS MAIZE ROAD SEDGWICK COUNTY			
Professional Engineering Consultants, P.A. 303 S. TOPEKA • WICHITA, KANSAS 67202 316-262-2691 • FAX 316-262-3003			
Designed by	RWA	Checked by	RAS
Drawn by	DRP	Date	April, 2002
		Job No.	97362