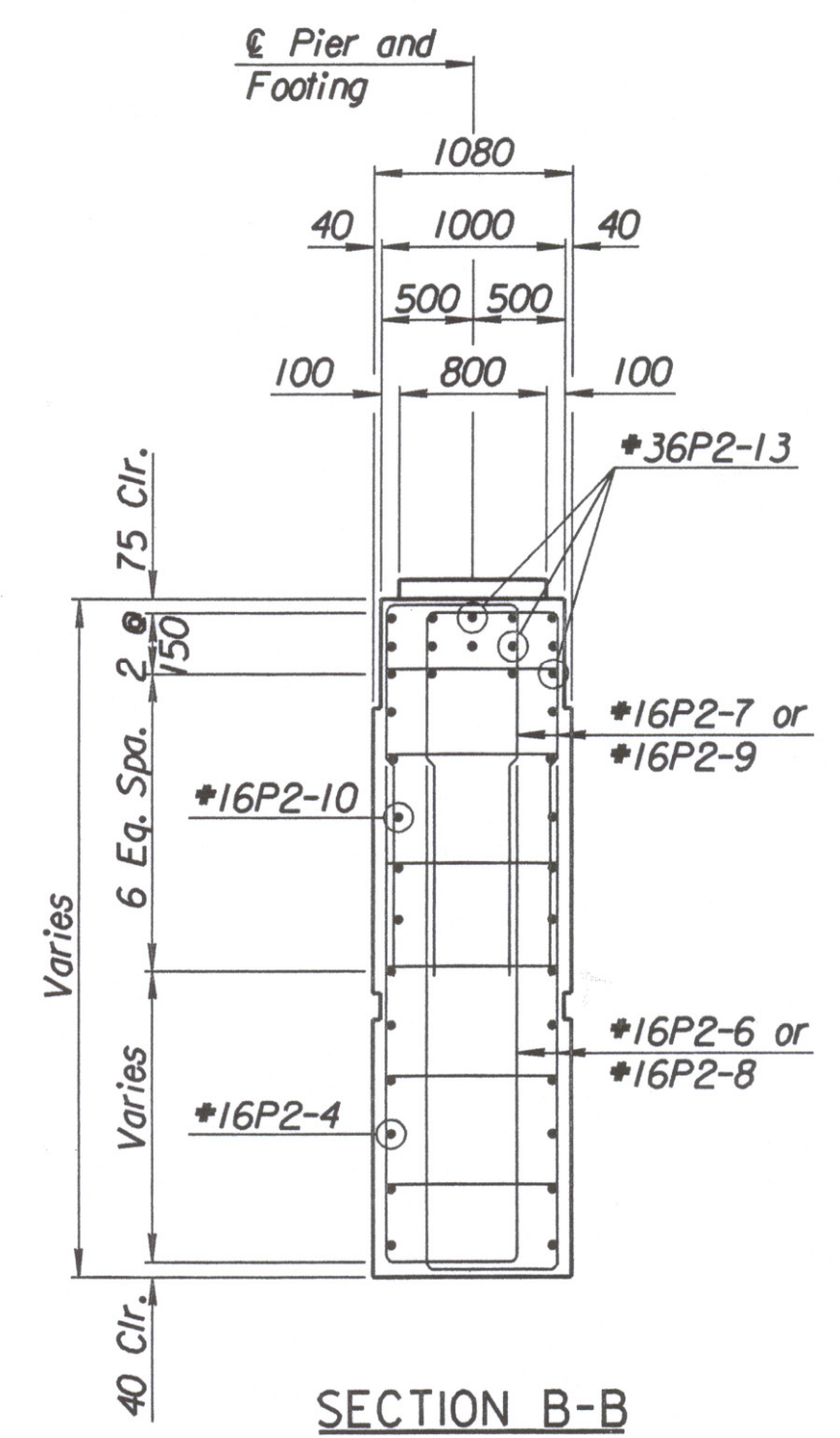
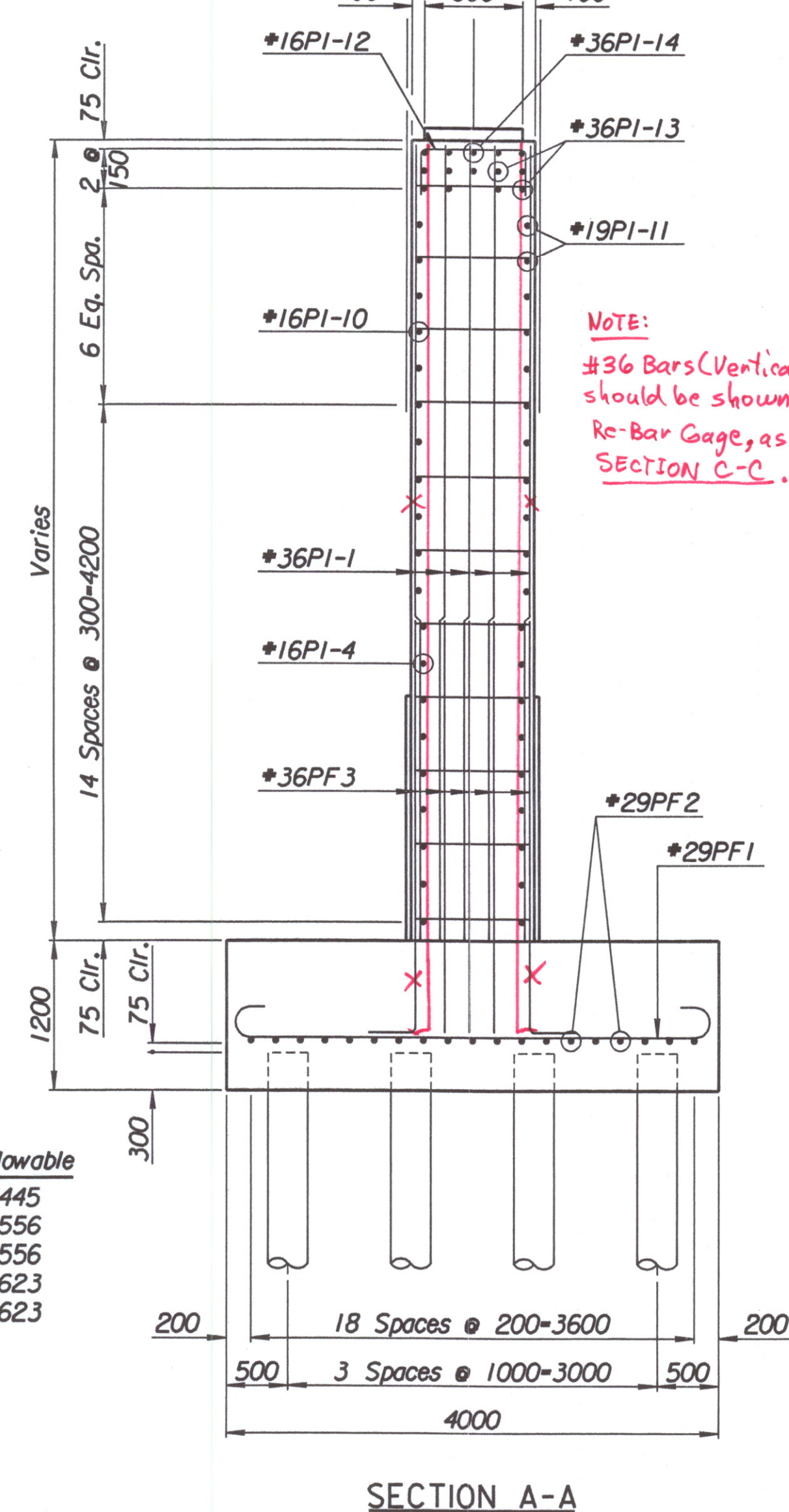
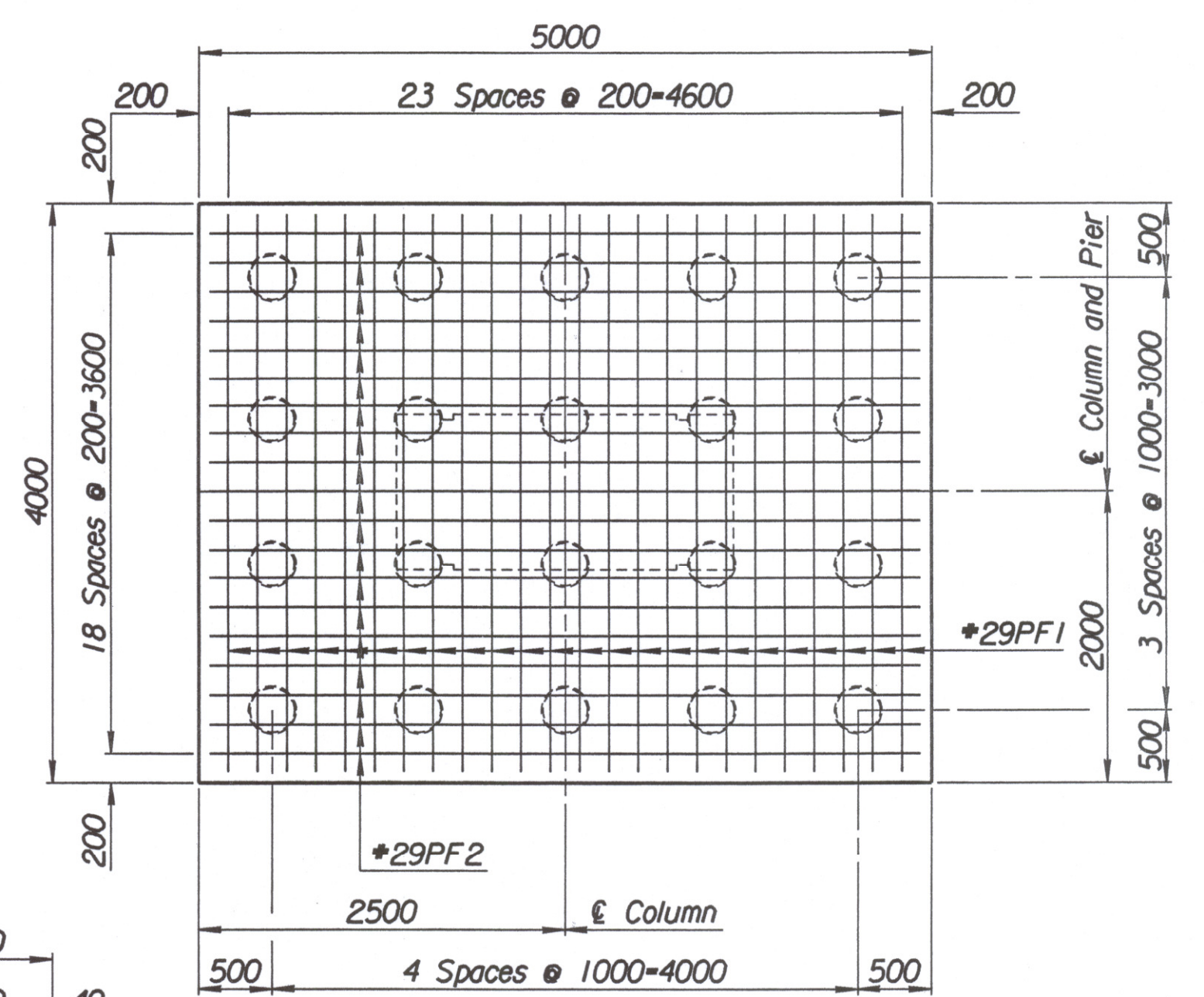
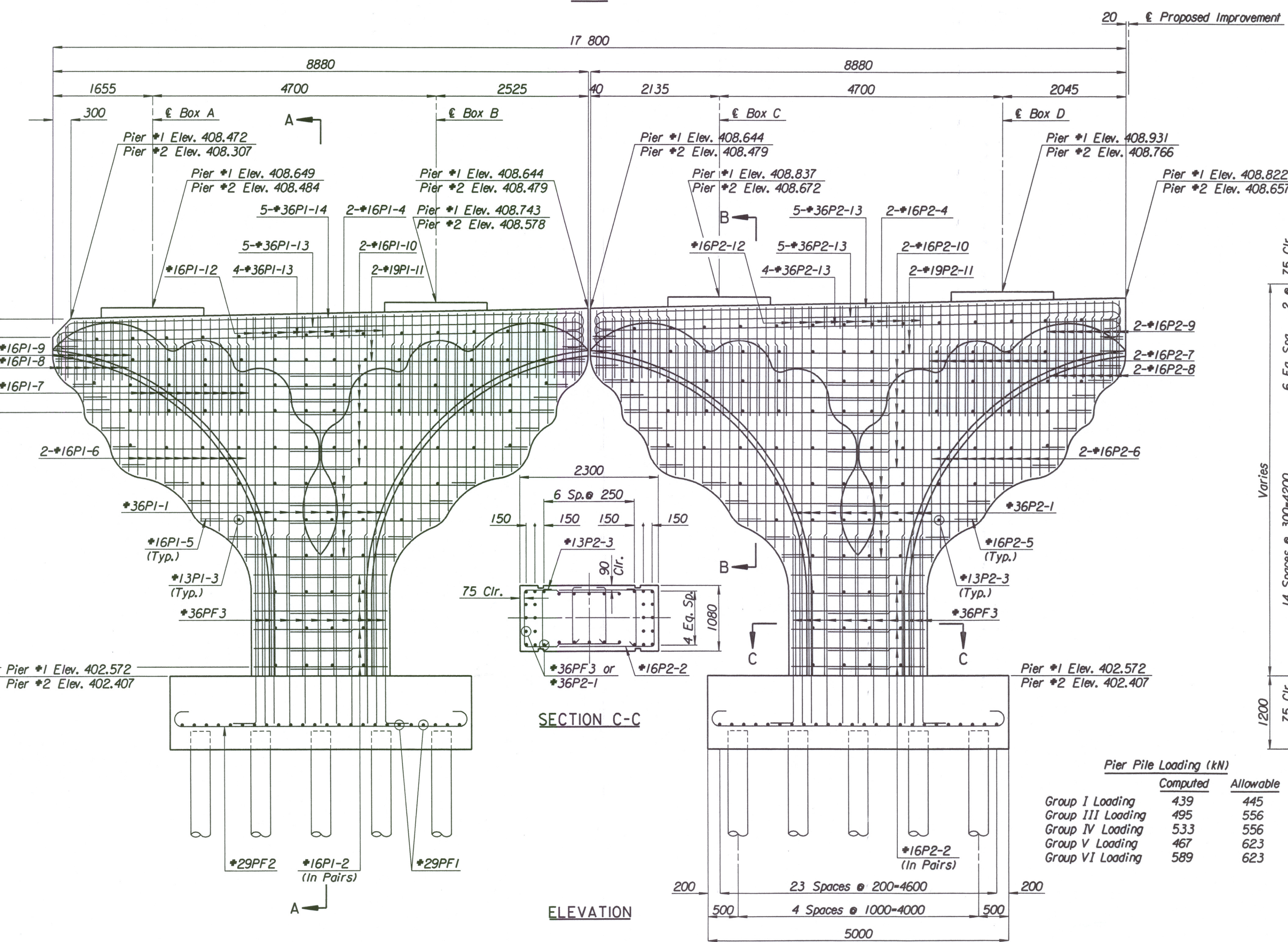
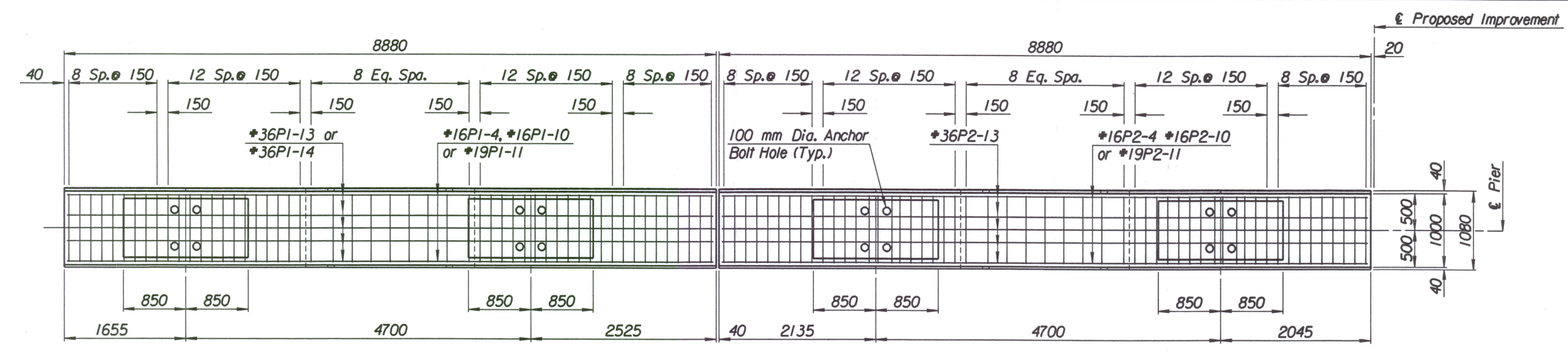


STATE	PROJECT NO.	YEAR	SHEET NO.	TOTAL SHEETS
KANSAS	54-87 K-6657-01	2002	454	1122



NOTE:
#36 Bars (Vertical)
should be shown inside
Re-Bar Gage, as per
SECTION C-C.

Drawn by: will
Plotted by: will
3-26-2002
i:/1997/97362/001/bridge/maizerd/pier

No.	Revisions	By	Date
CITY OF WICHITA			
BR. NO. 54-87-19.05 (489) W.B.		STA. 15+612.397	
PIER DETAILS			
KELLOGG (US-54)			
OVER MAIZE ROAD			
SEDGWICK COUNTY			
Professional Engineering Consultants, P.A.			
303 S. TOPEKA • WICHITA, KANSAS 67202			
316-262-2691 • FAX 316-262-3003			
Designed by	P.D.F.	Checked by	R.A.S.
Drawn by	W.L.L.	Date	April, 2002
		Job No.	97362