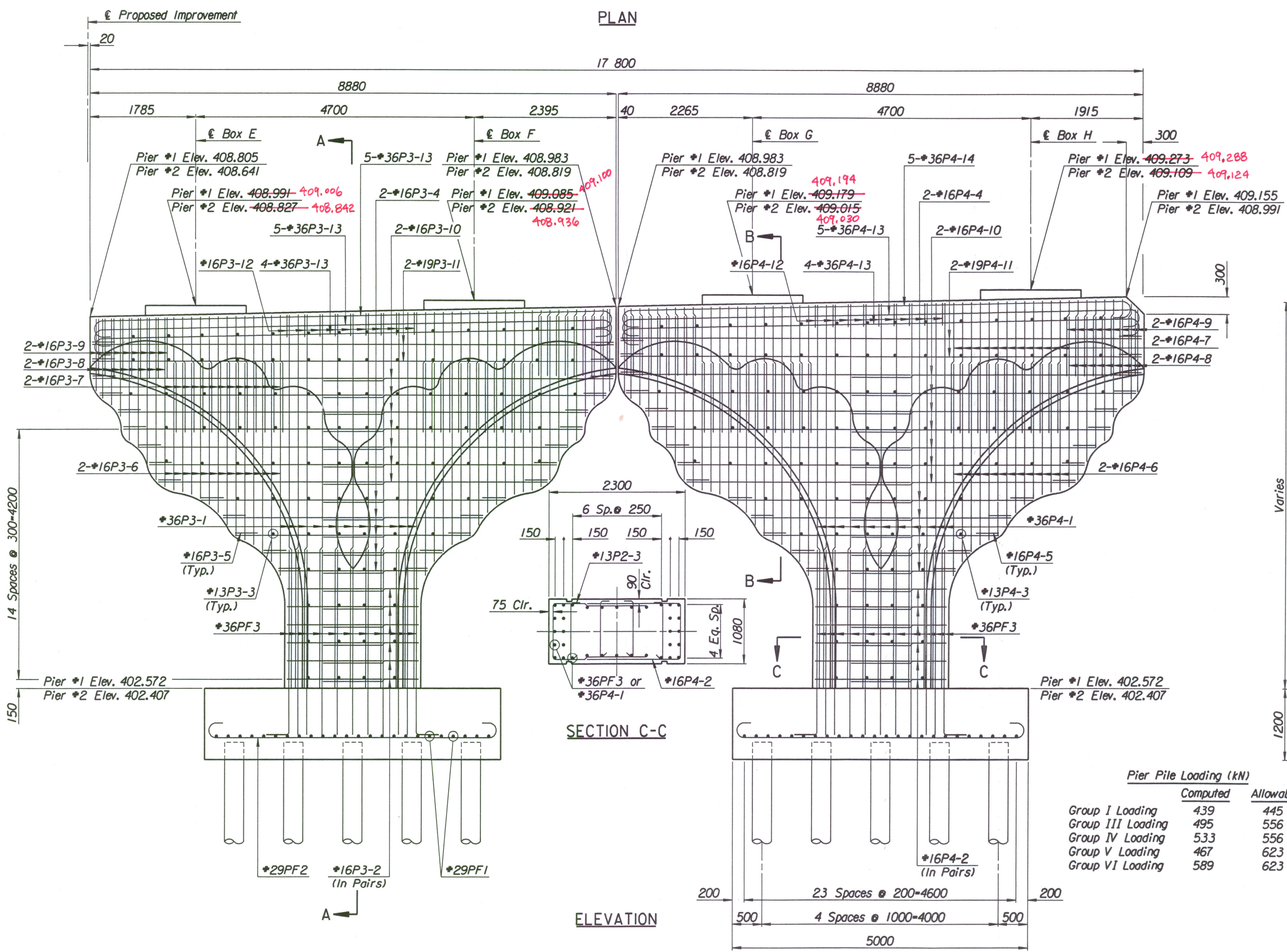


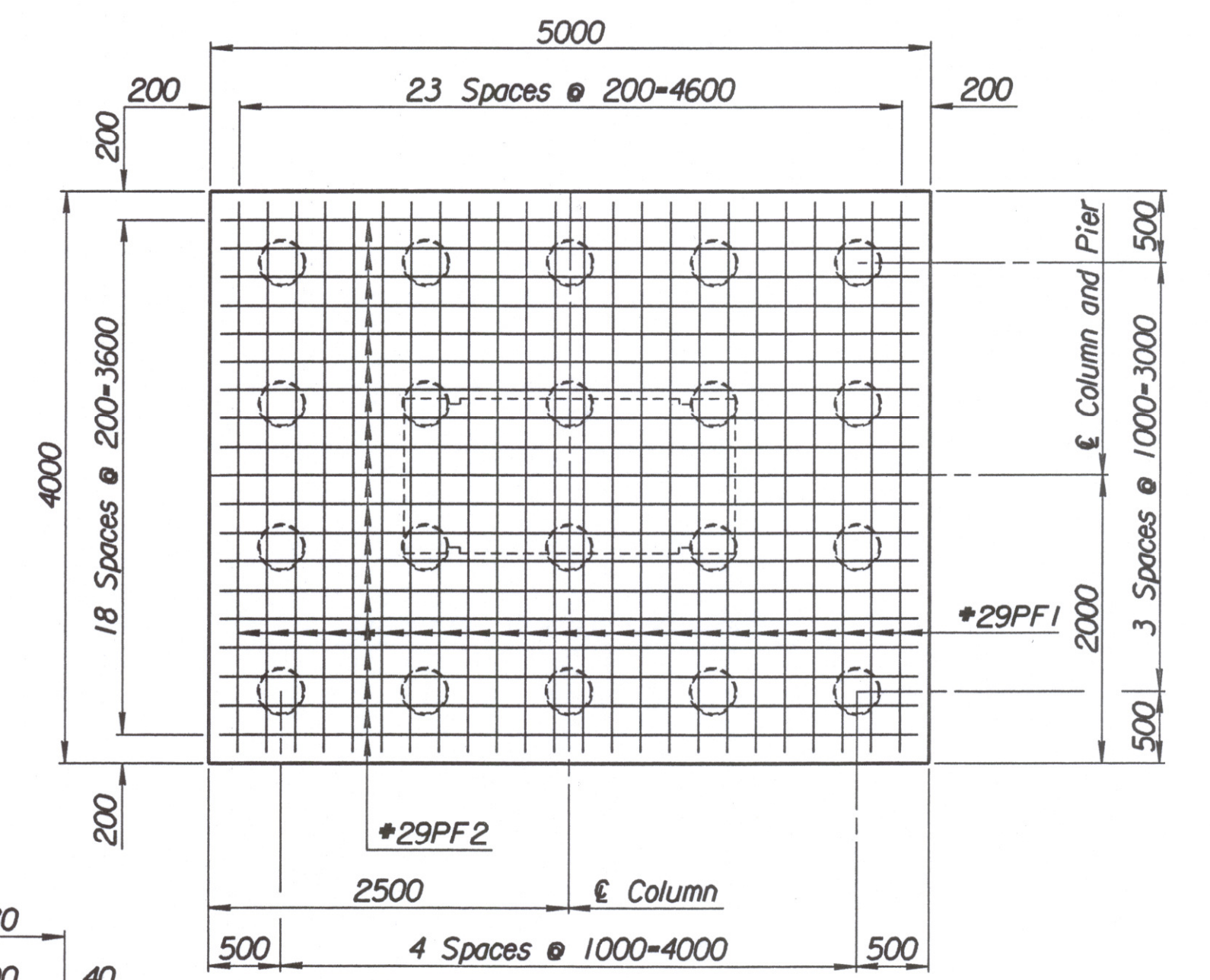
PLAN



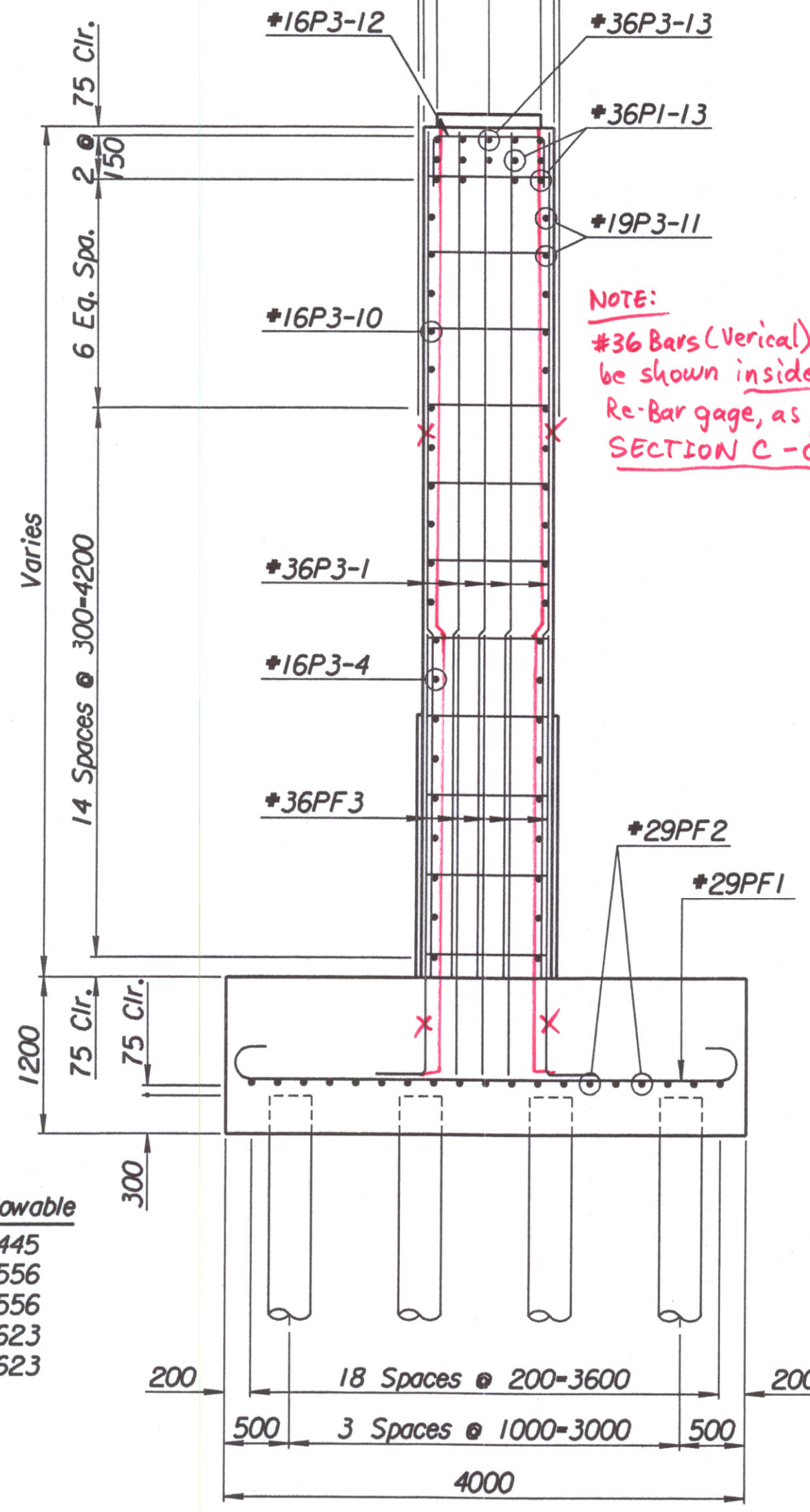
ELEVATION

Pier Pile Loading (kN)

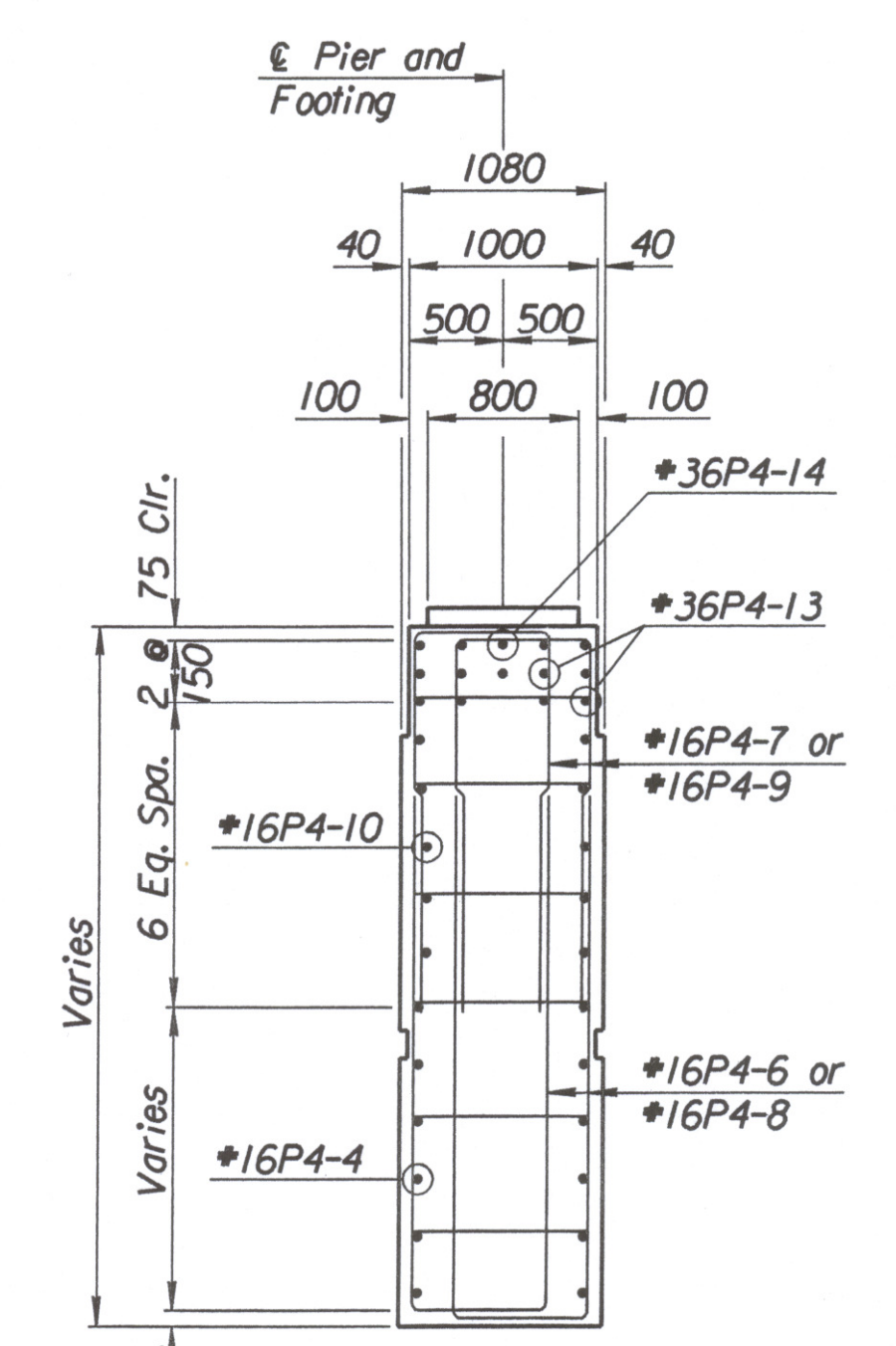
	Computed	Allowable
Group I Loading	439	445
Group III Loading	495	556
Group IV Loading	533	556
Group V Loading	467	623
Group VI Loading	589	623



FOOTING PLAN



SECTION A-A



SECTION B-B

NOTE:
#36 Bars (Vertical) should be shown inside the Re-Bar gage, as per SECTION C-C.

Drawn by: wil
Plotted by: wil 3-26-2002
is:/1997/917362/1001/bridge/maizerd/pier

Revisions		By	Date
CITY OF WICHITA			
BR. NO. 54-87-19.06 (491) E.B.		STA. 15+612.397	
PIER DETAILS			
KELLOGG (US-54)			
OVER MAIZE ROAD			
SEDGWICK COUNTY			
Professional Engineering Consultants, P.A.			
303 S. TOPEKA • WICHITA, KANSAS 67202			
316-262-2691 • FAX 316-262-3003			
Designed by	P.D.F.	Checked by	R.A.S.
Drawn by	W.L.L.	Date	April, 2002
		Job No.	97362