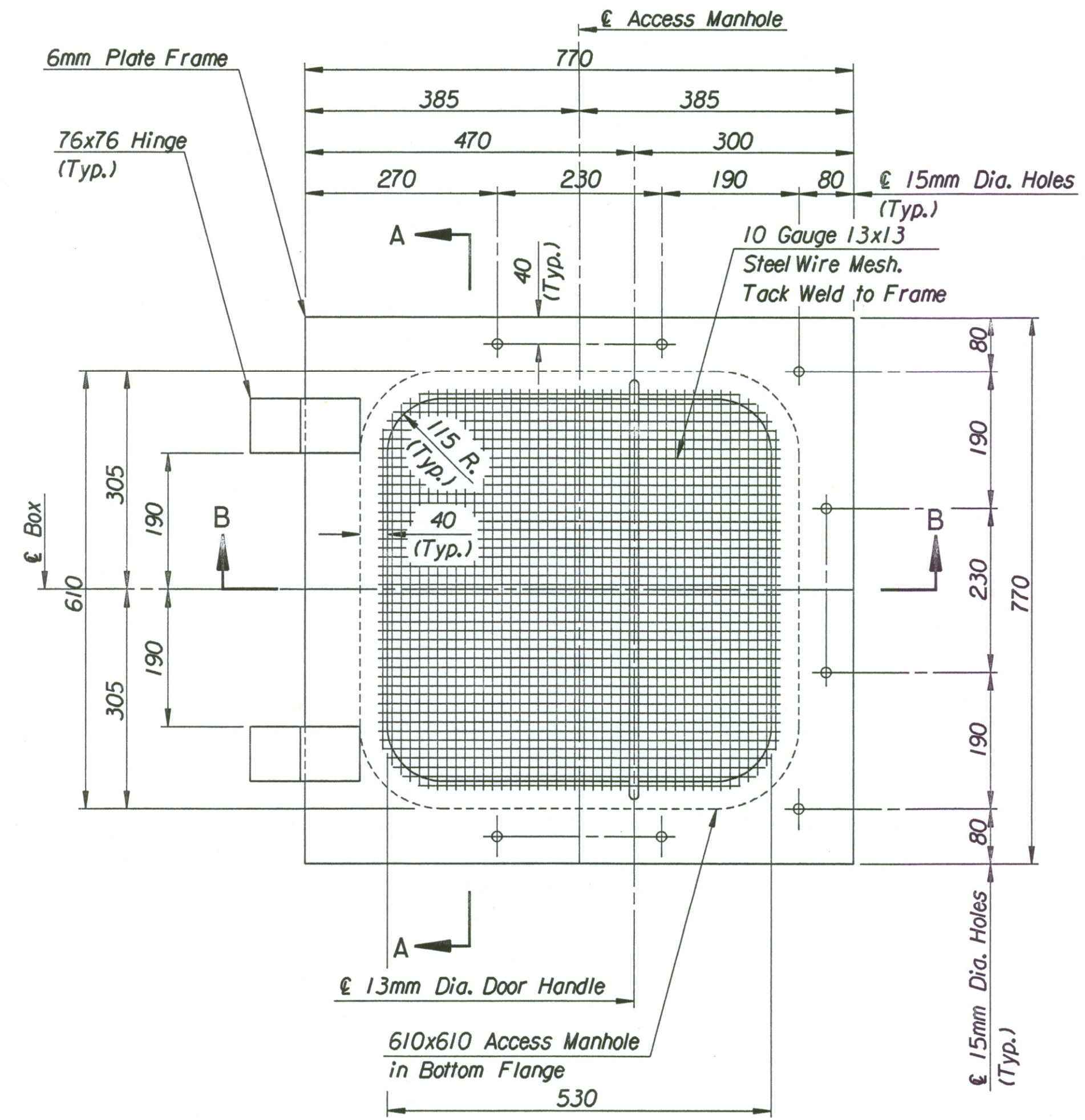
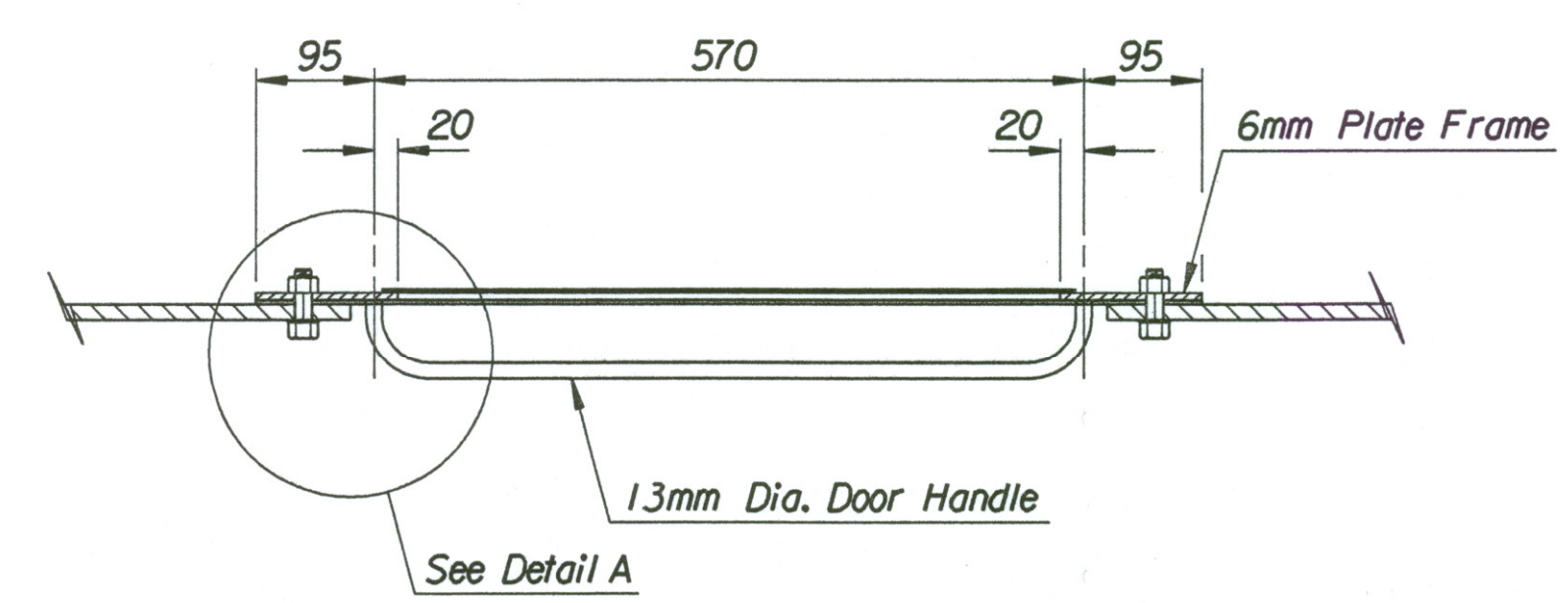


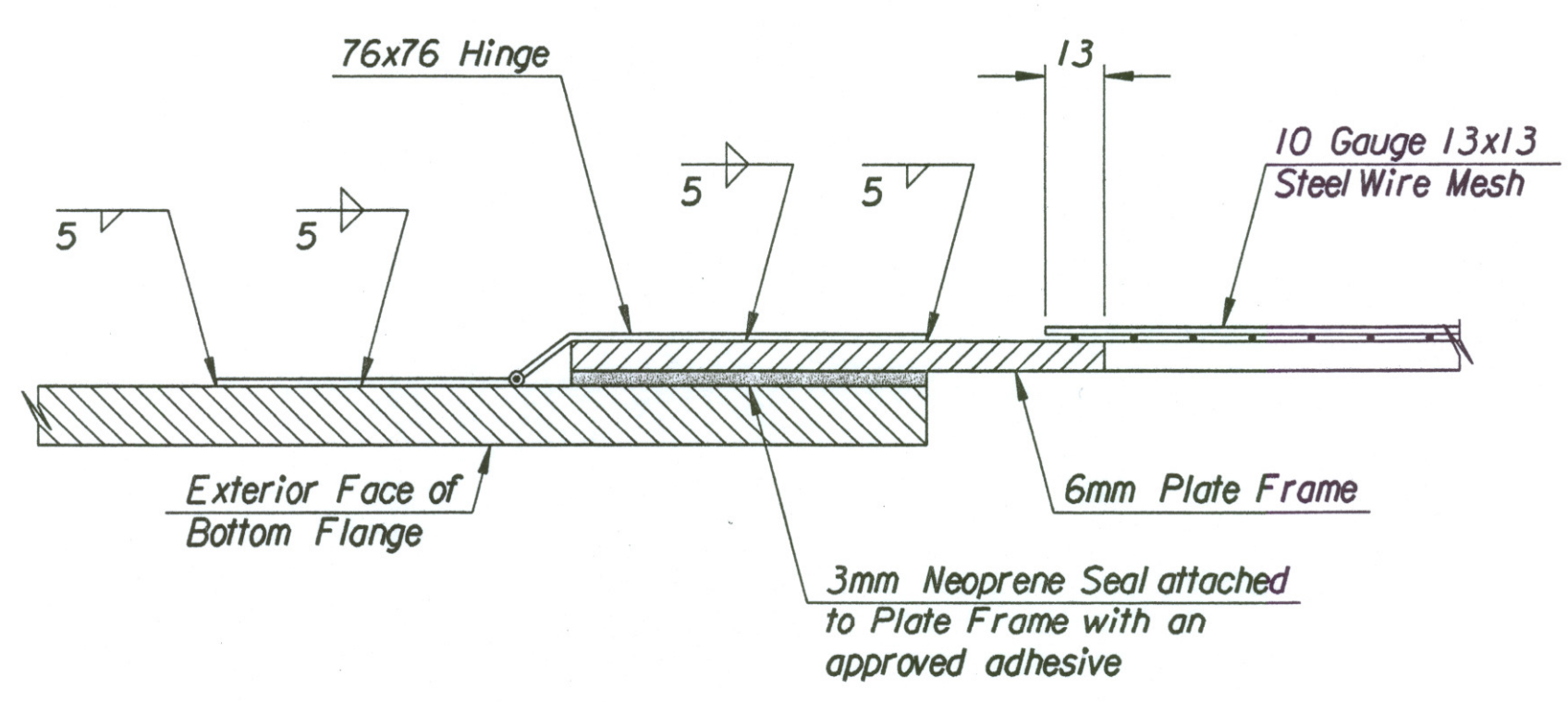
STATE	PROJECT NO.	YEAR	SHEET NO.	TOTAL SHEETS
KANSAS	54-87 K-6657-01	2002	462	1122



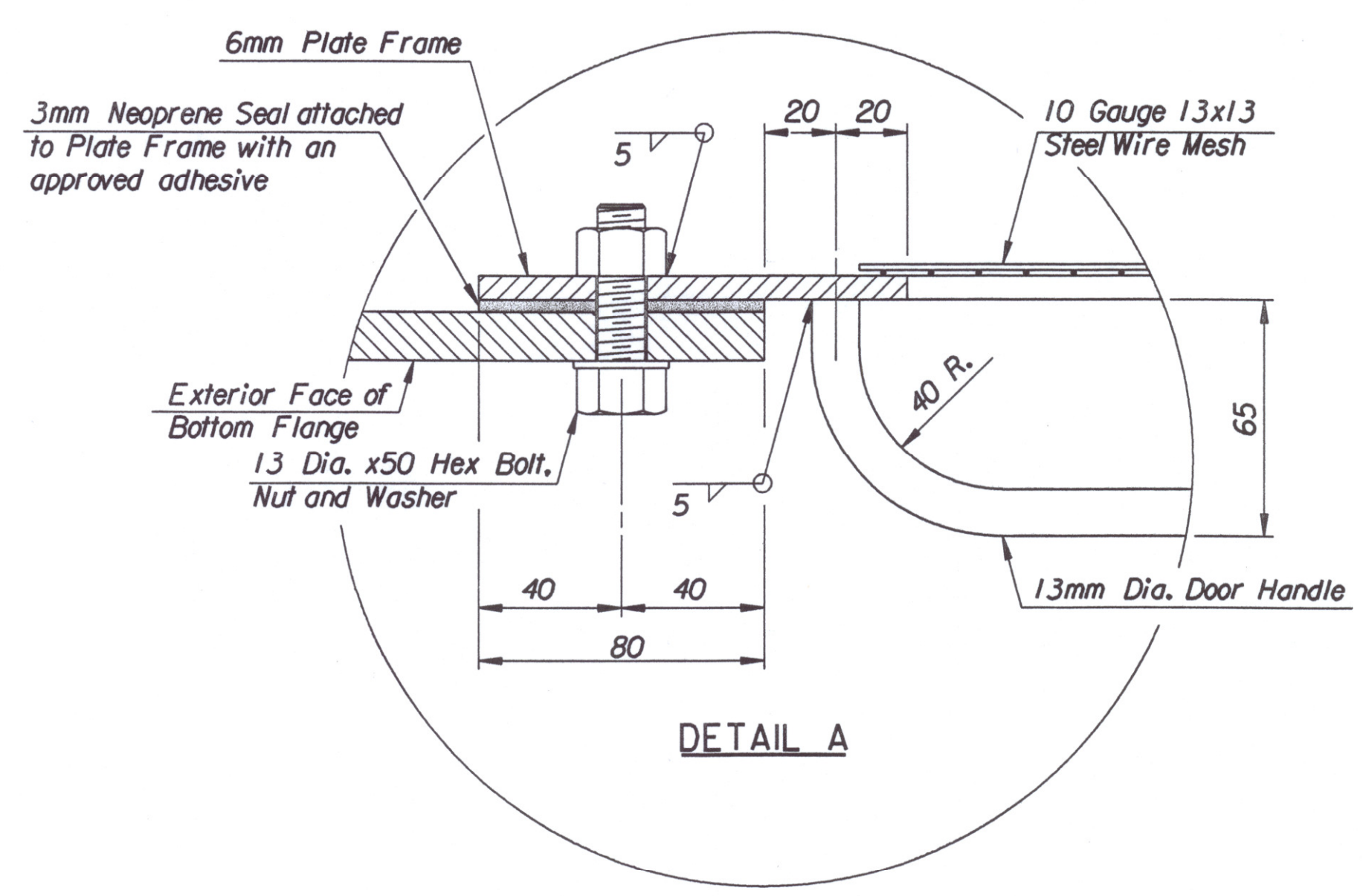
ACCESS MANHOLE DOOR PLAN



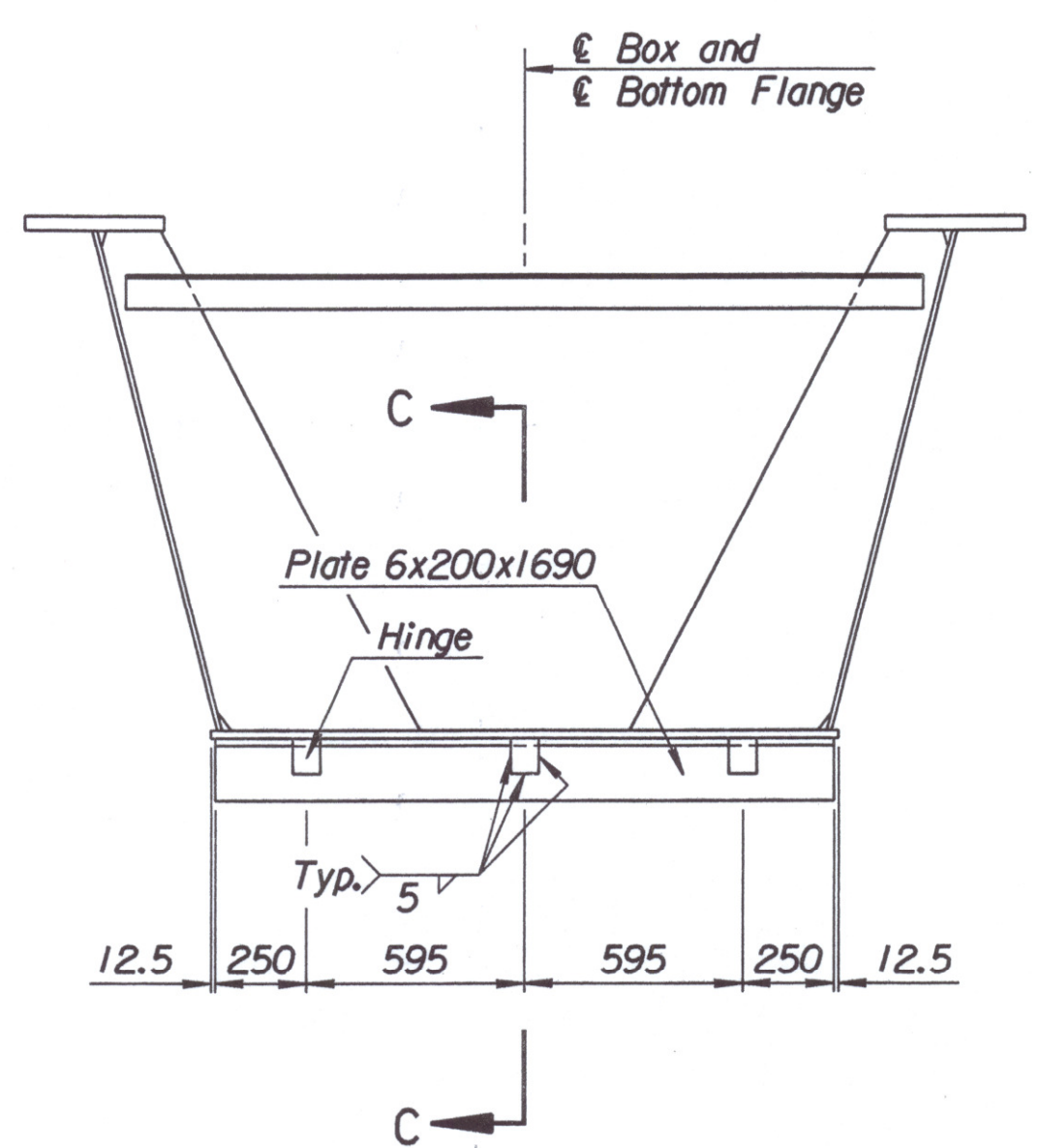
SECTION A-A



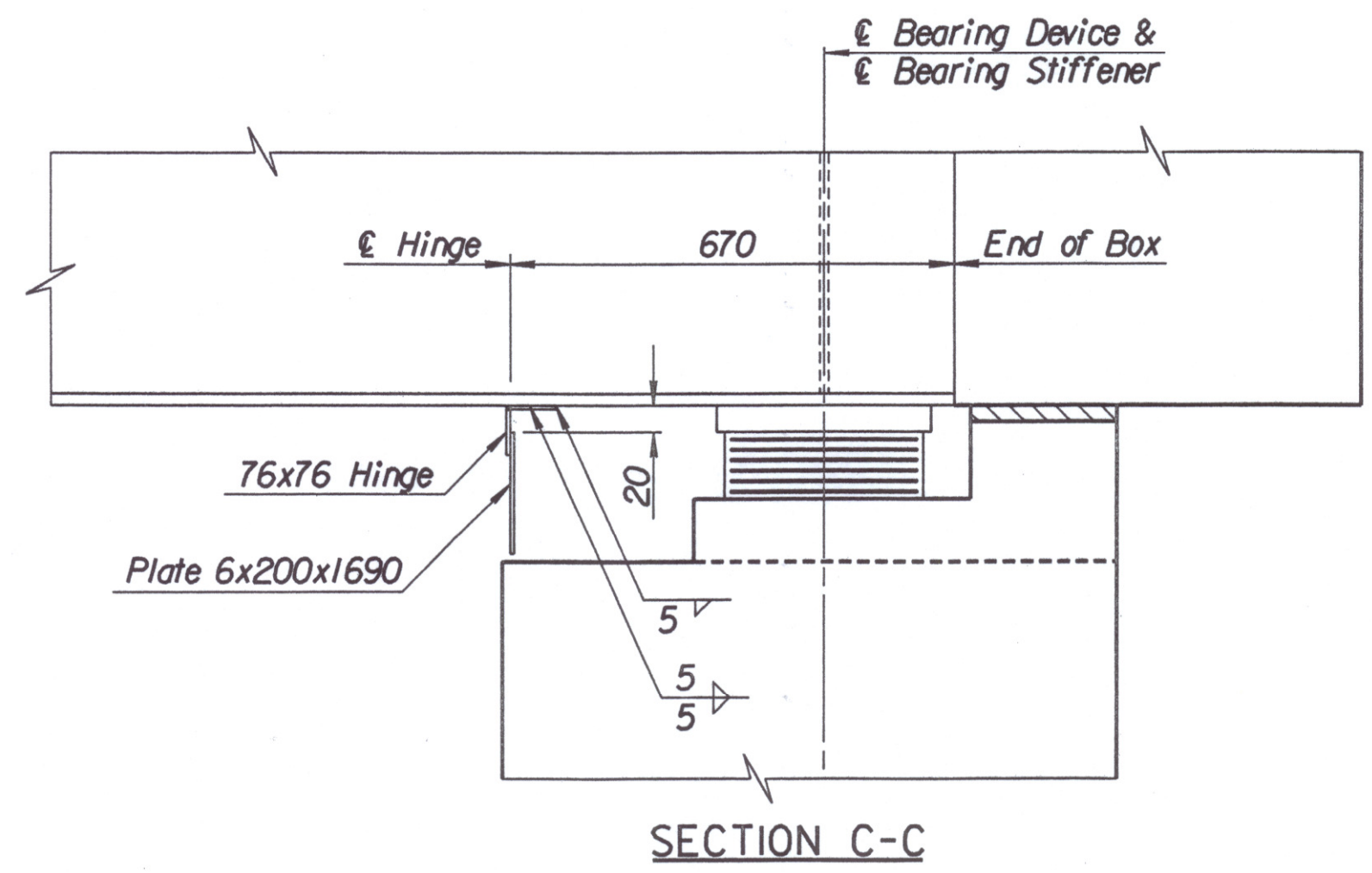
SECTION B-B



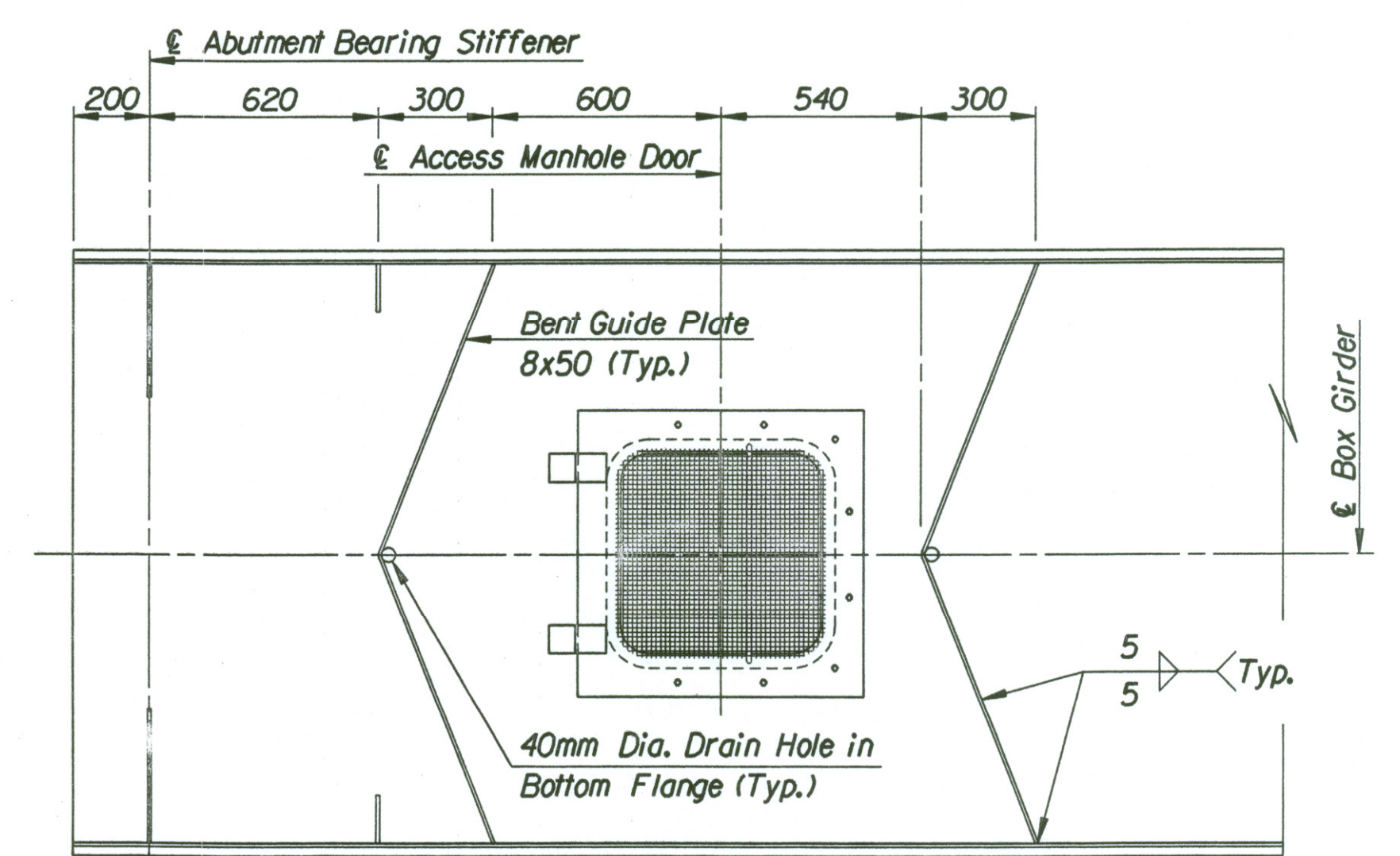
DETAIL A



HINGED PLATE ELEVATION



SECTION C-C



BOTTOM FLANGE AT END OF BOX

Note: Drain Holes and Guide Plates are Required at each end of each Box.

Note: The Access Door, Plate Frame and the Hinged Plate below the Girders shall be A709M (Grade 250) Steel and paid for under "Structural Steel, A709M (Gr. 250)". Hinges, Door Handle, Steel Wire Mesh, Neoprene Seal, Hex Bolts, Nuts and Washers shall be subsidiary to "Structural Steel, A709M (Gr. 250)".

Drawn by: will
 Plotted by: ras 3-27-2002
 i:\1997\97362\001\bridge\maizerd\atcsdoor

Revisions		By	Date
No.			
CITY OF WICHITA			
BR. NO. 54-87-19.05 (489) W.B.		STA. 15+612.397	
BR. NO. 54-87-19.06 (491) E.B.		STA. 15+612.397	
ACCESS DOOR DETAILS			
KELLOGG (US-54)			
OVER MAIZE ROAD			
SEDGWICK COUNTY			
Professional Engineering Consultants, P.A.			
<small>303 S. TOPEKA • WICHITA, KANSAS 67202 316-262-2691 • FAX 316-262-3003</small>			
Designed by	P.D.F.	Checked by	R.A.S.
Drawn by	W.L.L.	Date	April 2002
		Job No.	97362