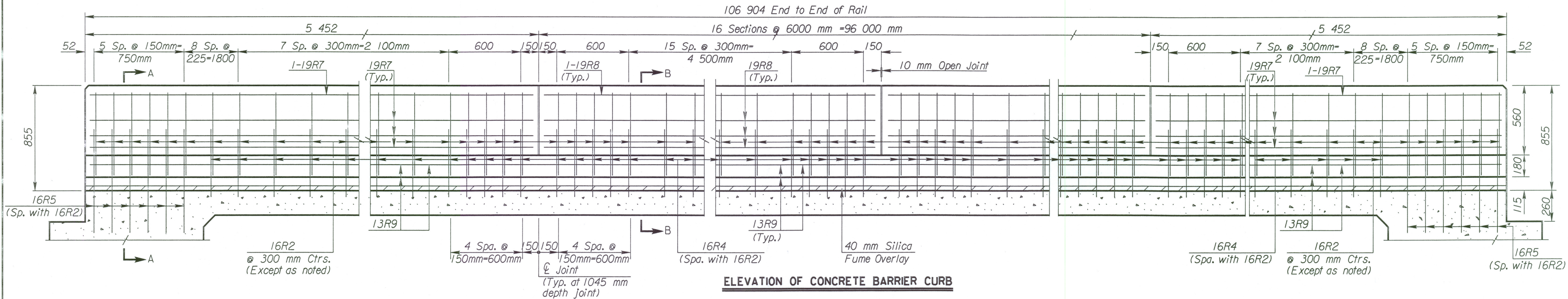
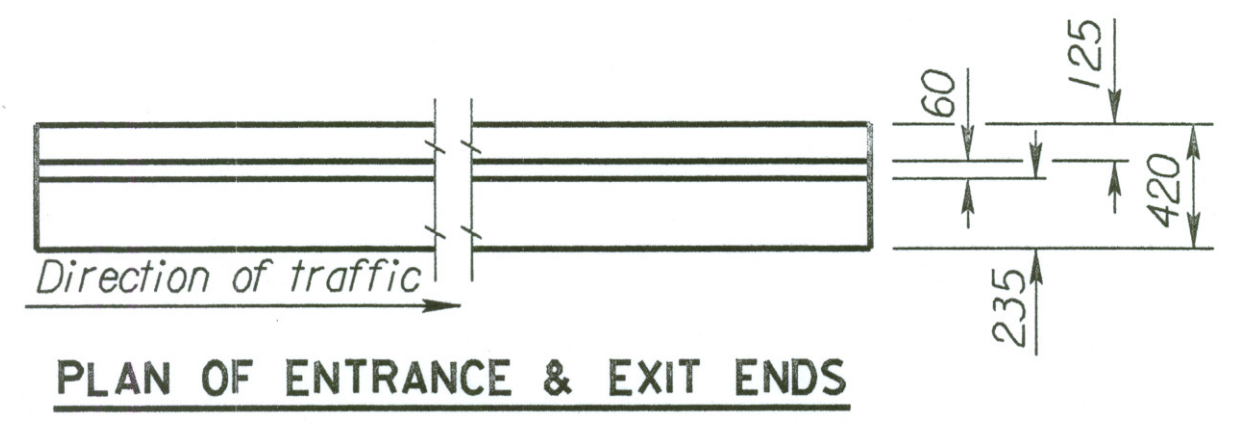


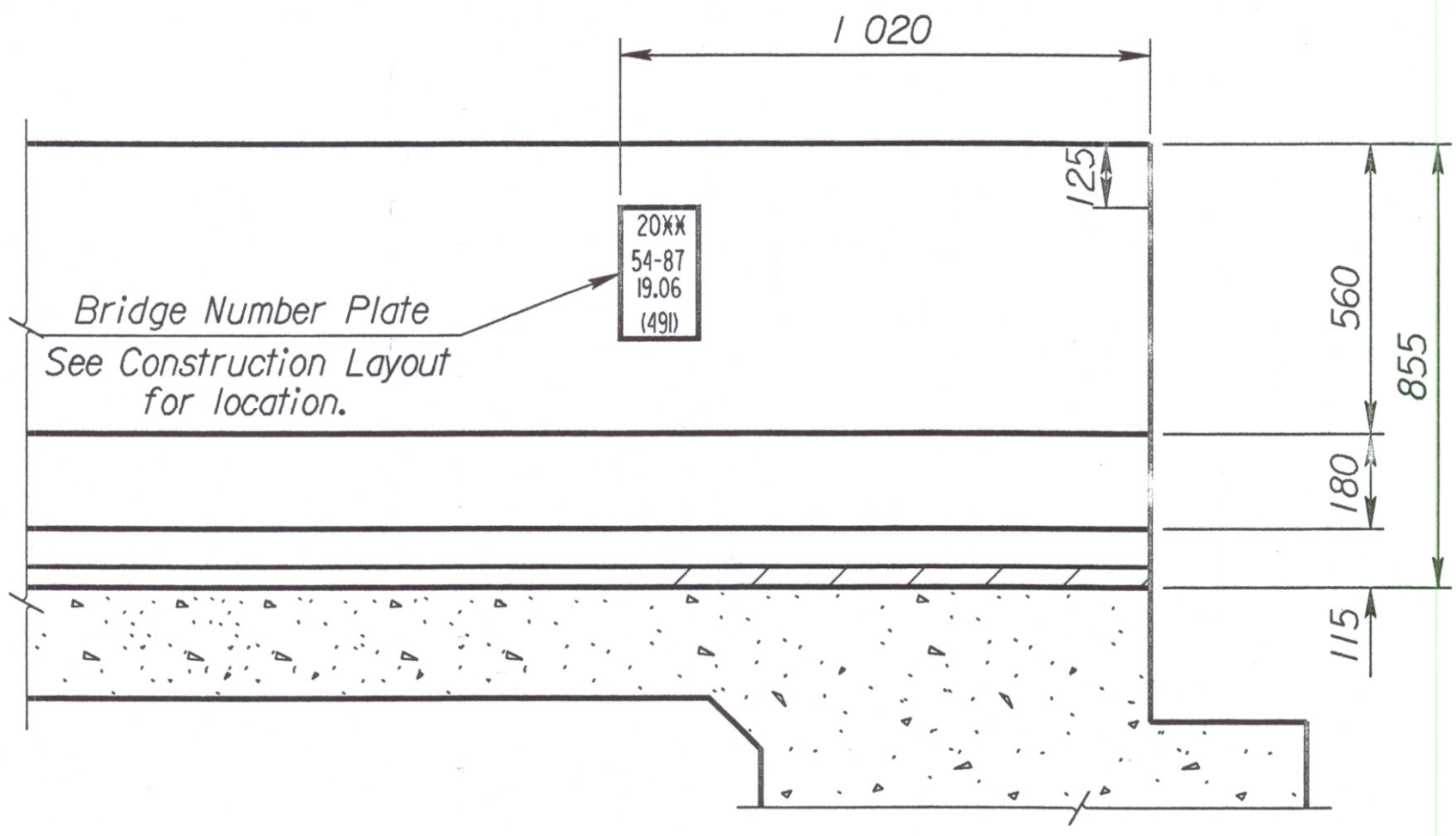
STATE	PROJECT NO.	YEAR	SHEET NO.	TOTAL SHEETS
KANSAS	54-87 K-6657-01	2002	471	1122



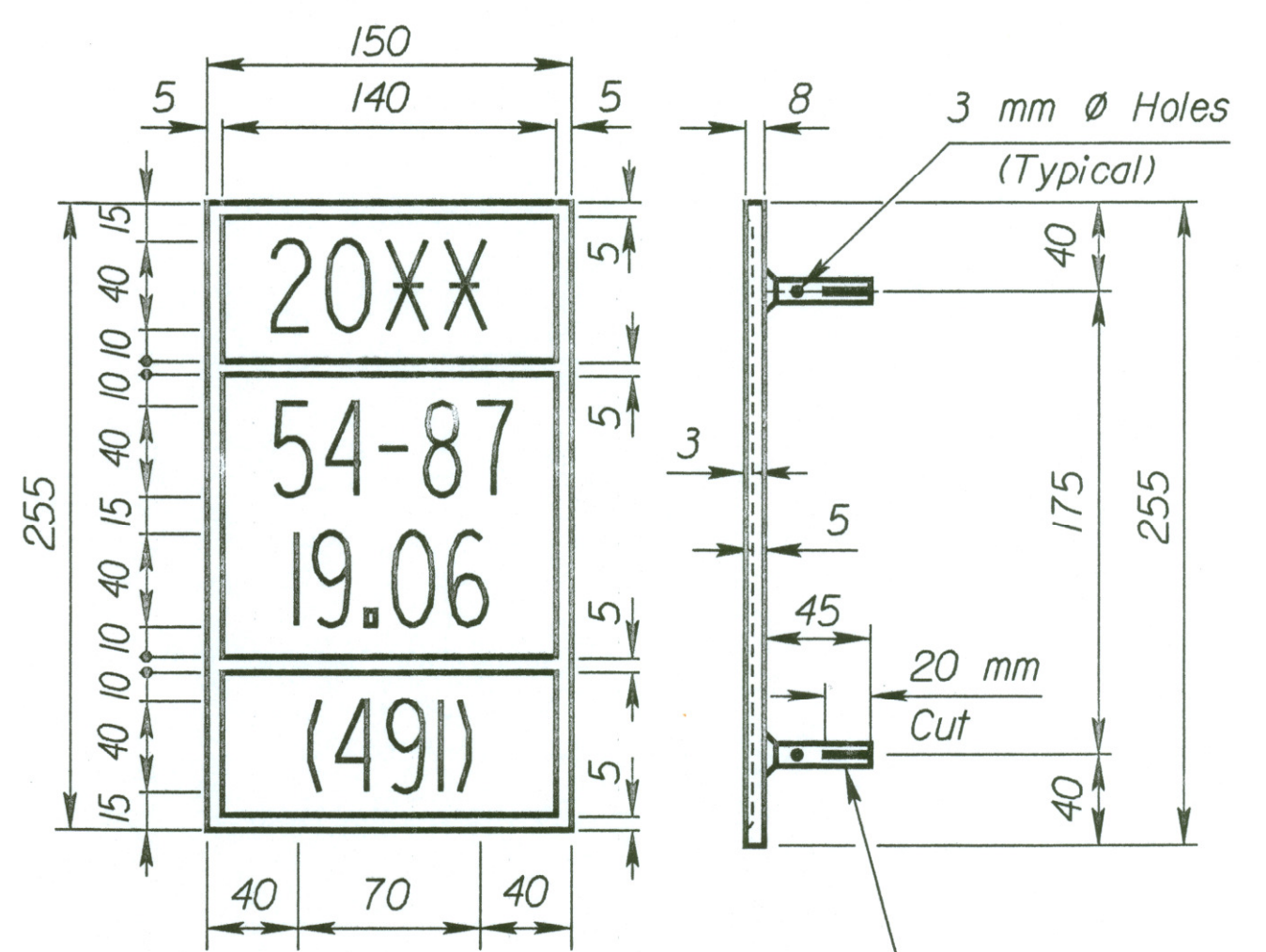
**ELEVATION OF CONCRETE BARRIER CURB**



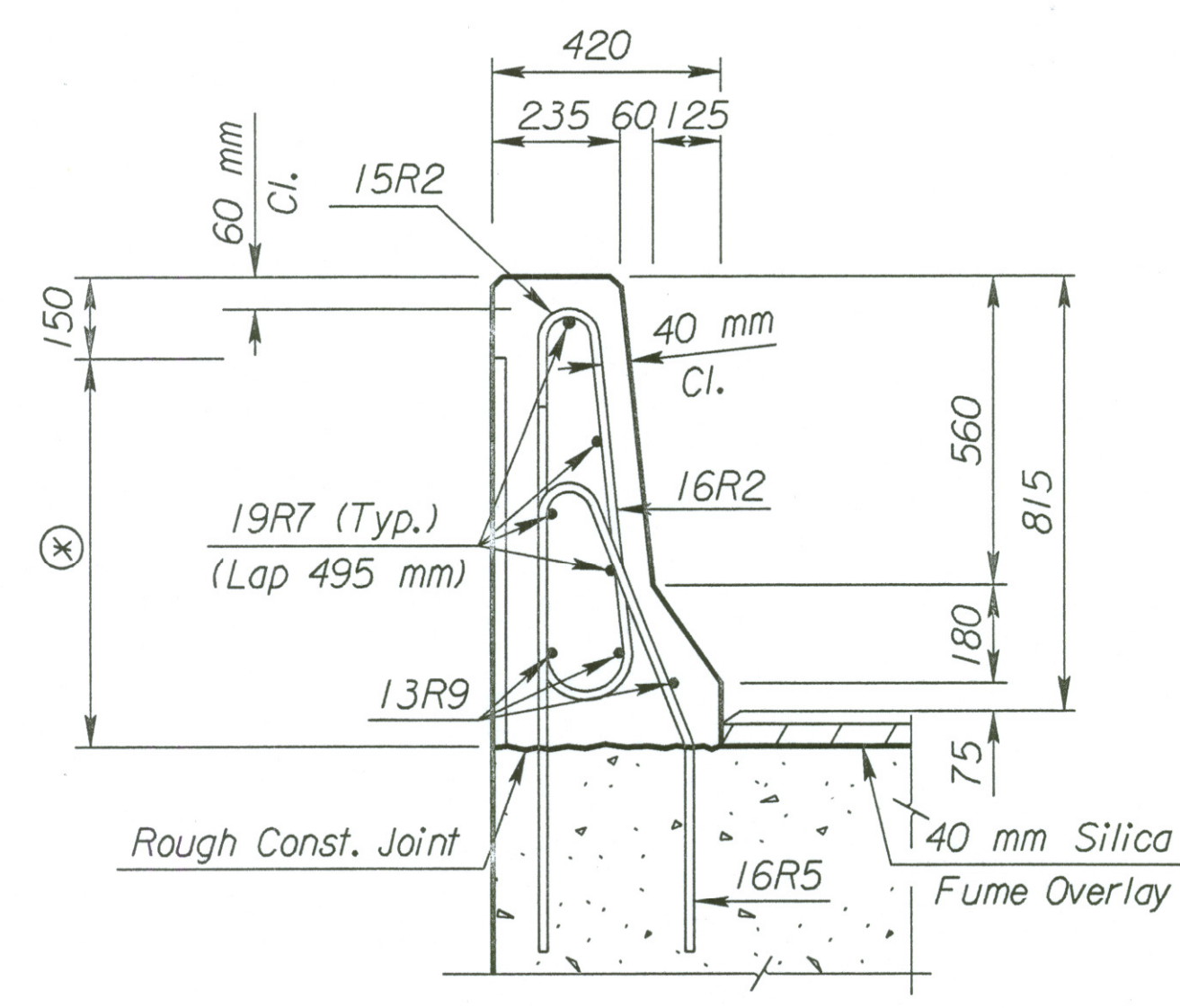
**PLAN OF ENTRANCE & EXIT ENDS**



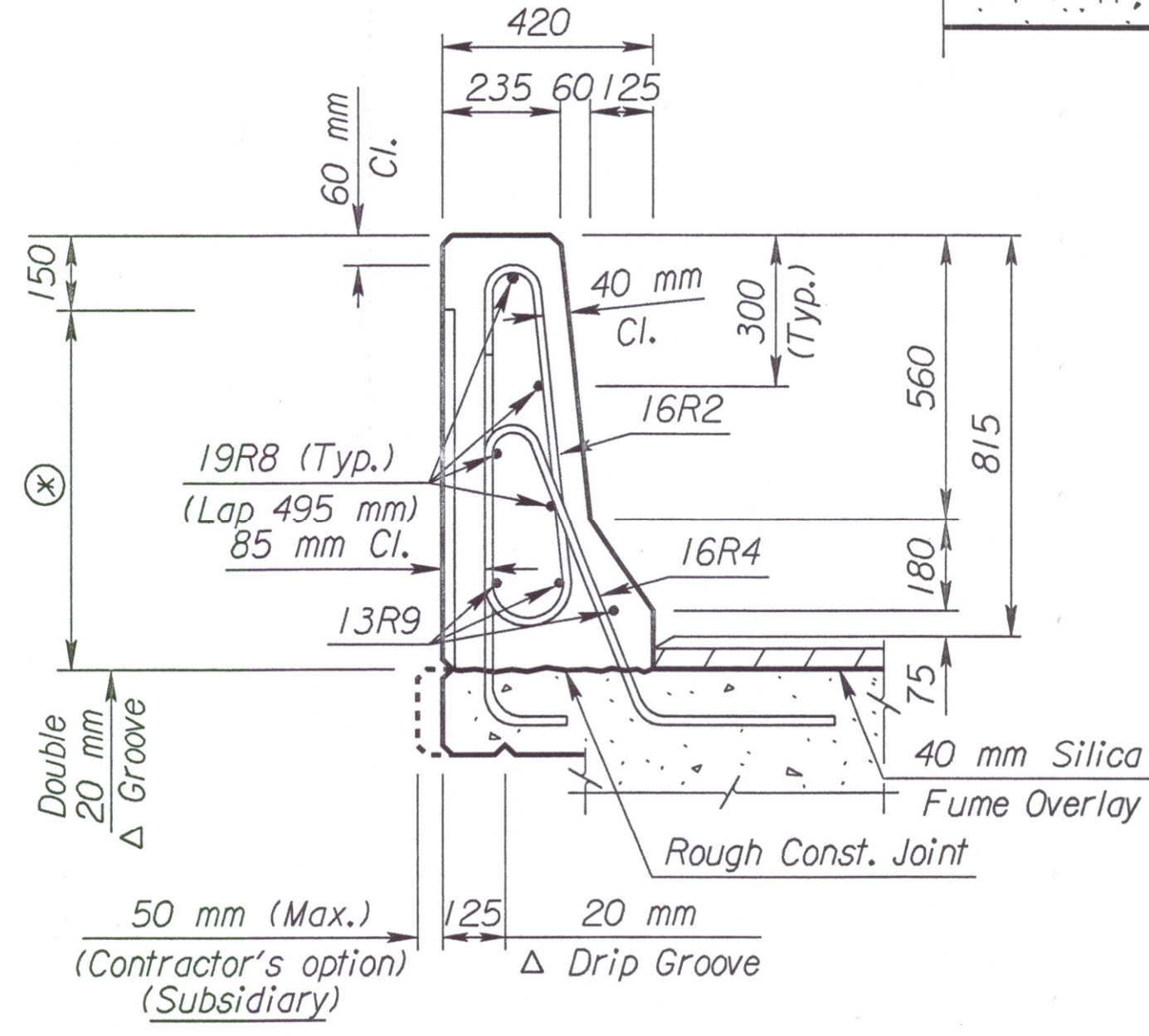
**ELEVATION OF ENTRANCE TYPE END**



\*\* Year Bridge is Completed.  
 2-10 mm Ø Lugs @ 75 mm  
 Ctrs. (Top & Bottom)  
**BRIDGE NUMBER PLATE**  
 (1 Required)  
 (See Construction Layout for Location)



**SECTION THRU BARRIER  
EXIT TYPE END**  
(At abutment)



**SECTION THRU BARRIER**

⊗ Barrier Texturizing  
 See Misc. Barrier Detail Sheet

Plotted By : DRP  
 Plot File : i:\1997\97362\001\bridge\maize\815SouthRail.dgn  
 Plot Date : 3-22-2002  
 Std. Base File : br185asi.dgn  
 Server File :  
 Server : witch  
 View = PLOT 1

3					
2					
1	10-27-00	Current Release			
NO.	DATE	REVISIONS	BY	APP'D	
<b>CITY OF WICHITA</b>					
Br. No. 54-87-19.06(491) E.B. Sta. 15+612.397					
815mm F2 BARRIER CURB					
SOUTH RAIL					
KELLOGG (US 54) OVER MAIZE ROAD					
SEDGWICK Co.					
SHEET NO.	OF	SCALE	APP'D		
DESIGNED		DETAILED	QUANTITIES	CADD	
DESIGN CK.		DETAIL CK.	QUAN. CK.	CADD CK.	