

STATE	PROJECT NO.	YEAR	SHEET NO.	TOTAL SHEETS
KANSAS	54-87 K-6657-01	2002	485	1122

GENERAL NOTES

ABUTMENT STRIP DRAIN: The Bridge Contractor shall excavate to the limits shown on the Bridge Excavation sheet, grade the bottom of the backfill area, place the strip drain, and place the perforated pipe, the outlet pipe, the CMP, and the backfill. Guide post and coarse aggregate are subsidiary to this bid item. Guide post and coarse aggregate are not required if the CMP empties onto riprap.

BRIDGE BACKWALL PROTECTION SYSTEM: Apply a Bridge Backwall Protective System to the approach side of the abutments and the wings in accordance with KDOT Specifications and the manufacturer's recommendations. Cover the abutments and wings to the limits shown on the details. Prior to backfilling, repair any damage done to the system at no charge to the state.

Place perforated pipe next to the strip drain. Use non-perforated pipe outside the limits of the strip drain. Enclose the perforated pipe with the extension of the filter fabric.

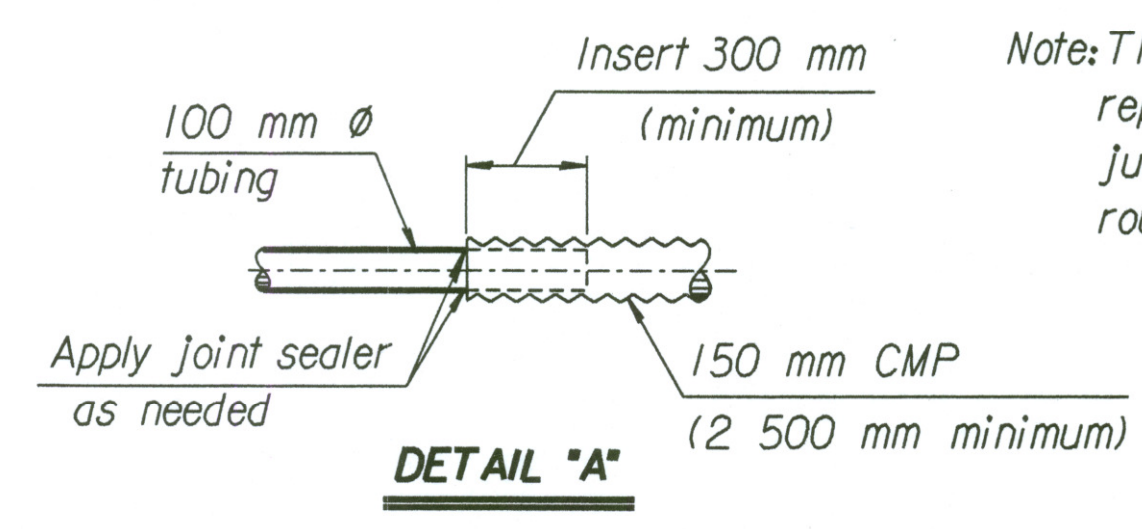
Compact the abutment backfill. See the KDOT Specifications.

Perforated pipe and non-perforated outlet pipe shall be corrugated polyethylene tubing conforming to the KDOT Specifications.

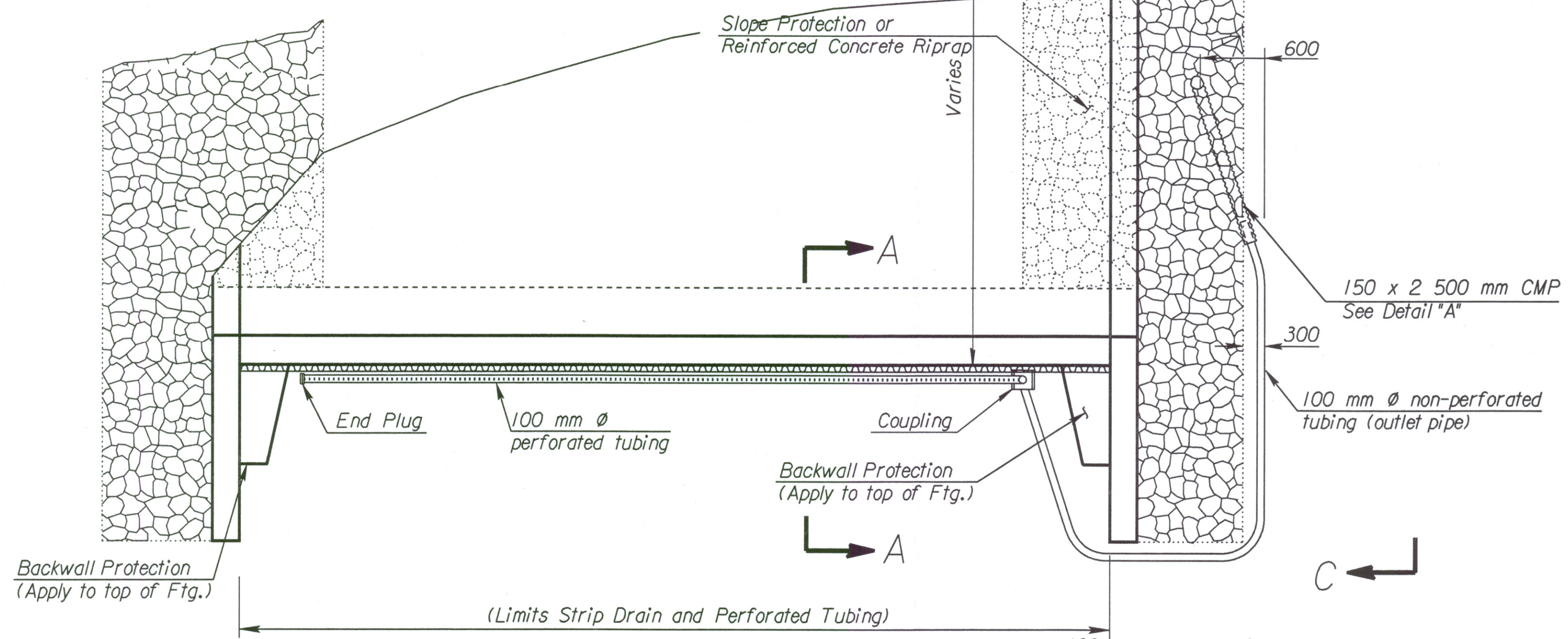
Fit the CMP end section with 6 mm galvanized mesh screen to prevent the entrance of rodents. Seal the joint between the outlet pipe and the end section with a joint sealer. Place coarse aggregate at the outlet end as shown.

Grade the bottom surface of the excavated area to drain. Backfill this area with a cohesive type soil. The soil should be a silty clay or clay under the Kansas Classification System with a minimum plasticity index of 20. Compact the material to Type C standards.

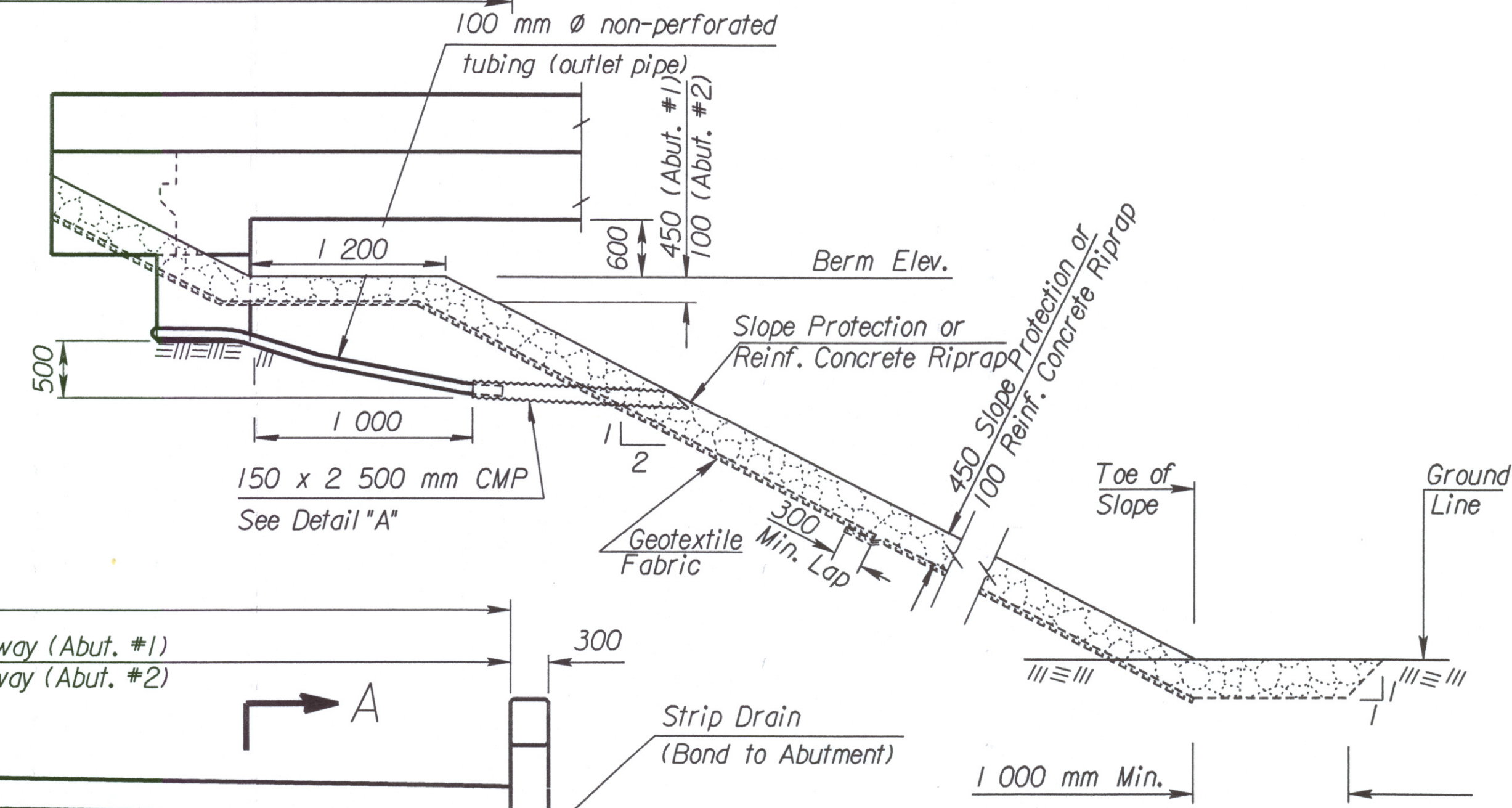
Place the outlet pipe on the downstream side of structures over streams and as shown or noted on other crossings (See the "Construction Layout" sheet).



Note: The 300 mm lap and joint sealer may be replaced by a reducing coupler at the junction of the CMP and the 100 mm round tubing.

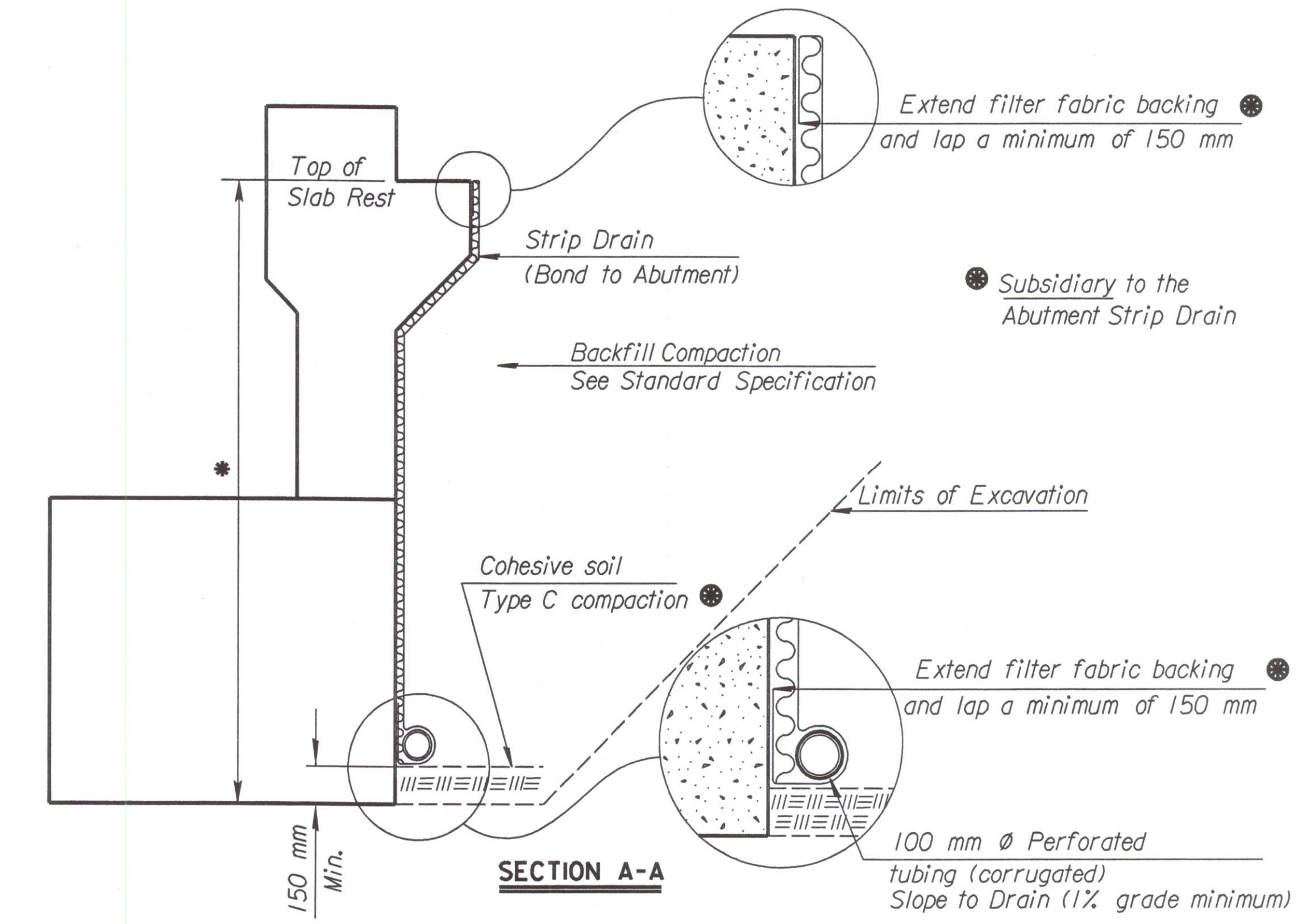


PLAN



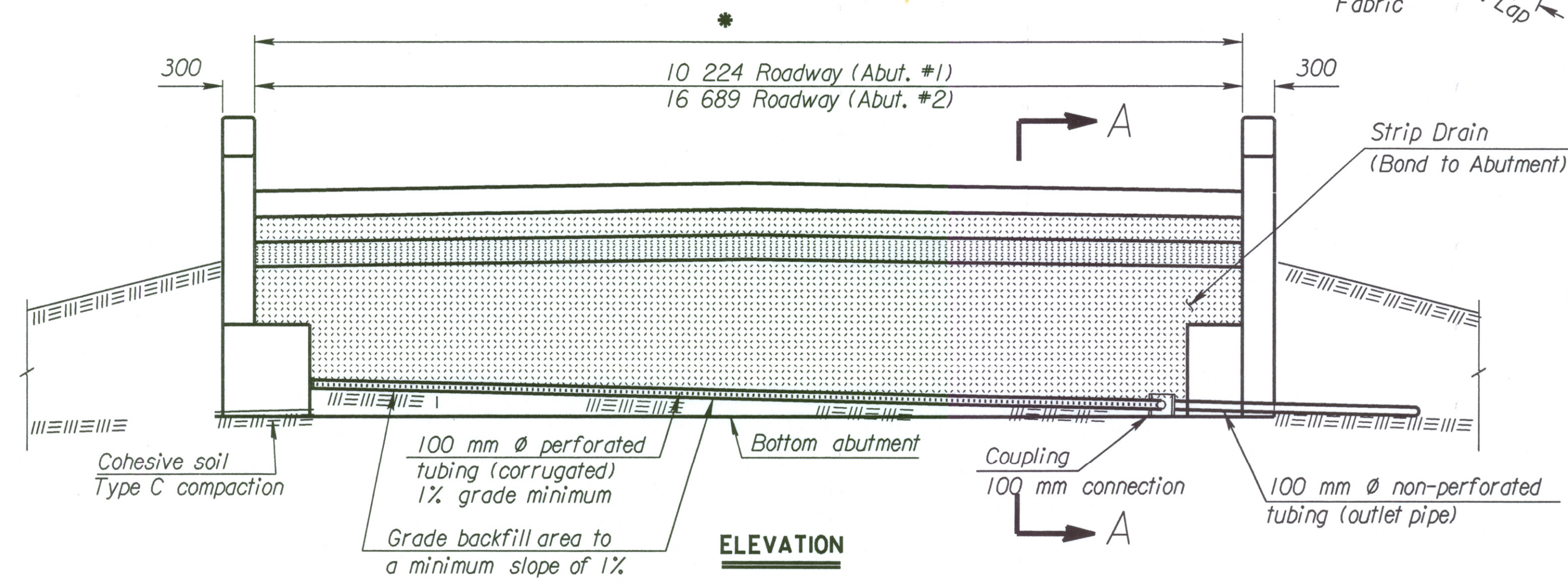
SECTION C-C

Slope Protection (Abut. #1)
Reinf. Concrete Riprap (Abut. #2)



SECTION A-A

* Limits of Bridge Backwall Protection System (by Bridge Contractor)



ELEVATION

SUMMARY OF QUANTITIES (2 Abutments)	
Abutment Strip Drain	47 m ²
Bridge Backwall Protection System	76 m ²
Items Subsidiary to Strip Drain	
100 mm Ø Perforated Pipe	21.2 m
100 mm Ø Outlet Pipe	19.3 m
150 mm Ø CMP	5.0 m
Geotextile Fabric	847 m ²

NO.	DATE	REVISIONS	BY	APP'D
3				
2				
1	7-15-98	Current release		

KANSAS DEPARTMENT OF TRANSPORTATION
Br. No. 54-87-19.32(495)F.W.B. S+o. 16+016.230
ABUTMENT STRIP DRAIN
Sedgwick Co.

SHEET NO.	OF	DATE	APP'D
DESIGNED		DETAILED	QUANTITIES
DESIGN CR.		DETAL. CR.	QUAN. CR.

Plotted By : drp
 Plot File : /usr2/stand/si/br104dws1.dgn
 Server File : /usr2/
 Server : w1ch
 View: PLOT1
 Std. Base File : /usr2/stand/si/br104dws1.dgn
 Plot Date : 2-27-2002