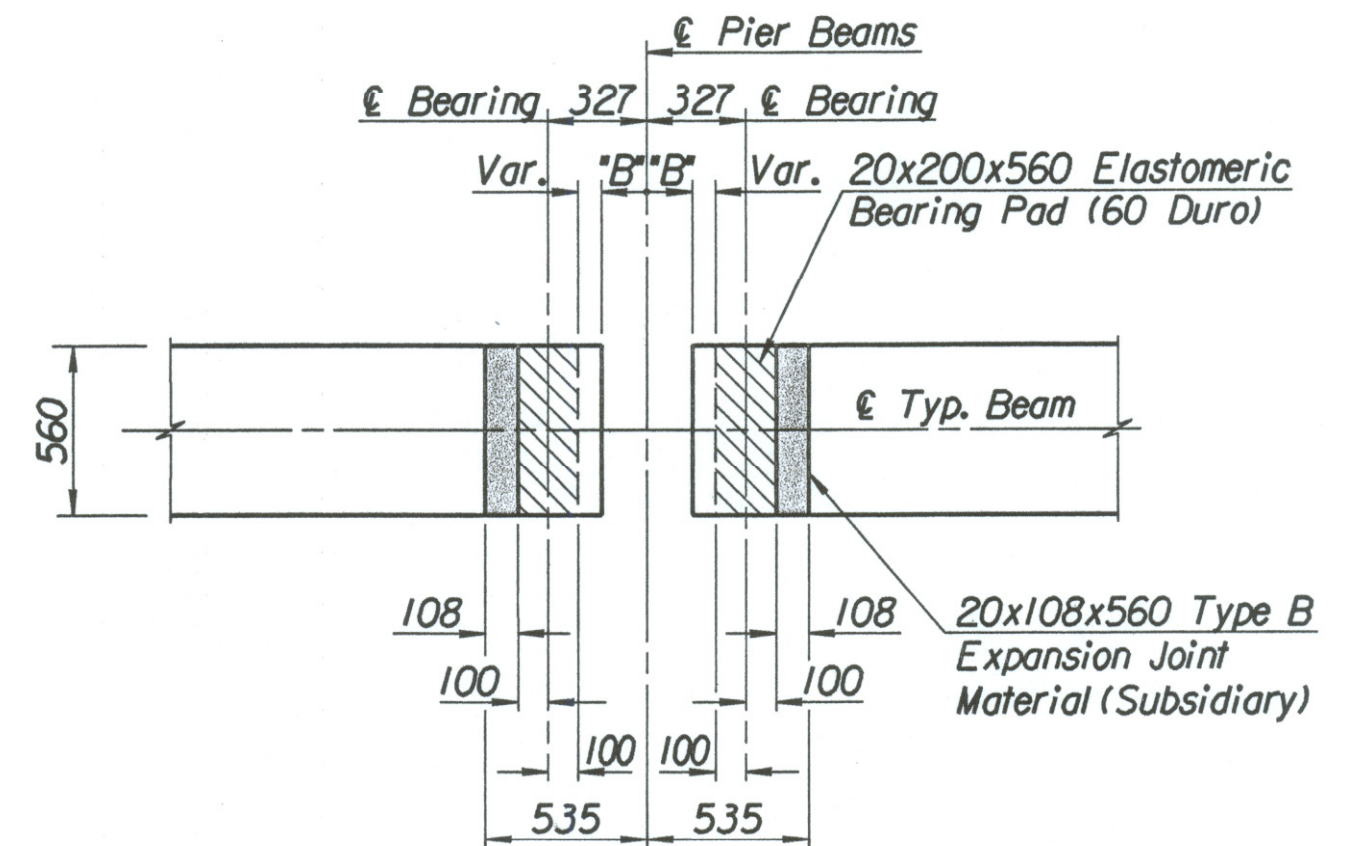


* Length from ϵ Abutment to End of Beam Varies from 165mm at Beam A to 135mm at Beam F.
 ** Length from ϵ Pier to End of Beam Varies from 135mm at Beam A to 165mm at Beam F.

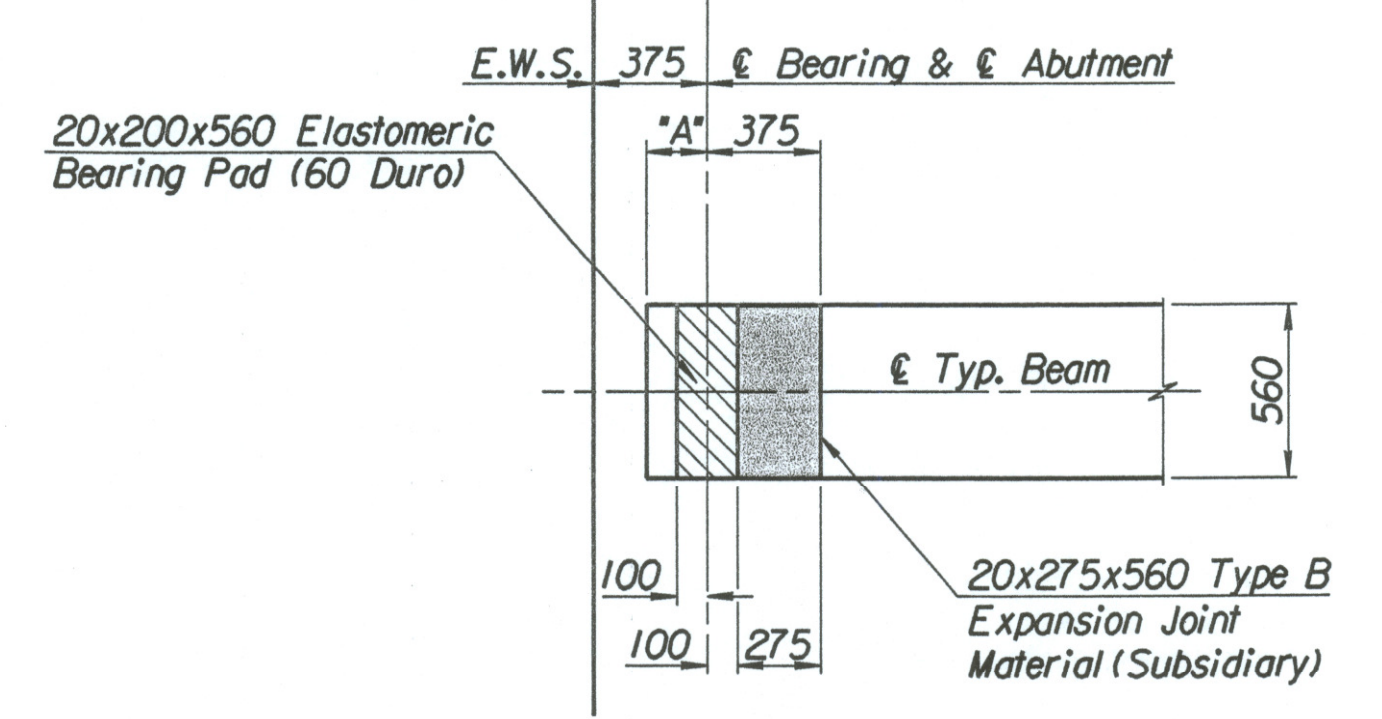
FRAMING PLAN



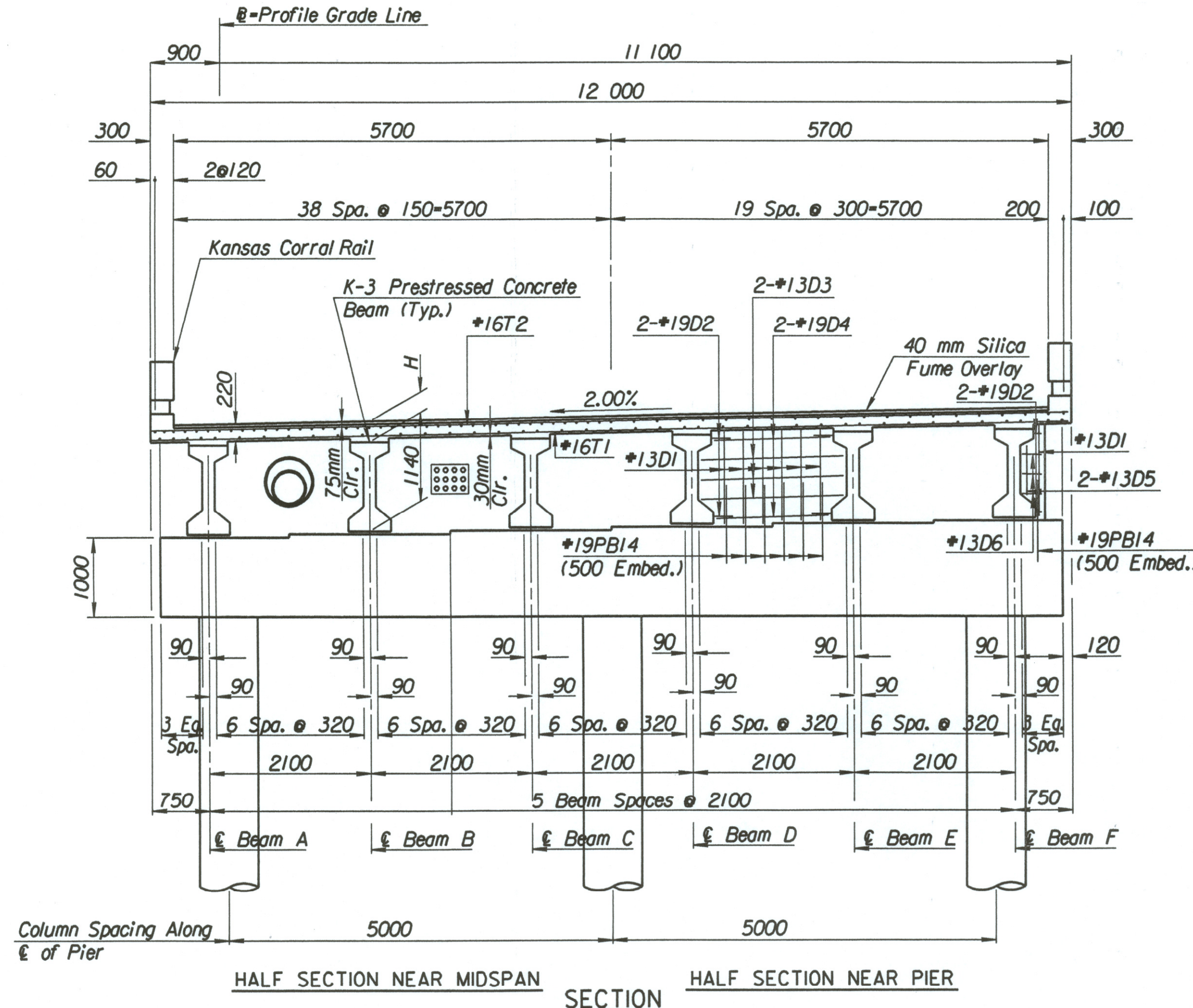
Intermediate Water Line Supports (Typical at 1/3 Points between Permanent Interior Diaphragms or as Shown). See Detail on Sheet No. B14A.



PIER BEARING



ABUTMENT BEARING



H = 280 mm @ Abutments and Piers

SECTION

WESTBOUND FRONTAGE ROAD BRIDGE						
BEAM END SPACING (ϵ BEARING TO END OF BEAM) DIMENSIONS						
Beam	Abut. 1 (*A')	Abut. 2 (*A')	Pier 1 (*B')	Pier 2 (*B')	Pier 3 (*B')	Pier 4 (*B')
A	165	165	135	135	135	135
B	159	159	141	141	141	141
C	153	153	147	147	147	147
D	147	147	153	153	153	153
E	141	141	159	159	159	159
F	135	135	165	165	165	165

No.	Revisions	By	Date
CITY OF WICHITA BR. NO. 54-87-19.32(495) F.W.B. STA. 16+016.230			
FRAMING PLAN WEST BOUND FRONTAGE ROAD OVER COWSKIN CREEK SEDGWICK COUNTY			
Professional Engineering Consultants, P.A. 303 S. TOPEKA • WICHITA, KANSAS 67202 316-262-2691 • FAX 316-262-3003			
Designed by	RWA	Checked by	RAS
Drawn by	DRP	Date	April, 2002
		Job No.	97362

DSNR: RAS OPER: DRP SCALE: 1:200
 I:/1997/97362/001/BRIDGE/COWSKIN/WESTBOUND/FRAMPLFR.DGN 11-05-2001 11:23:27 LAST REV: 3-20-2002 BY: svb