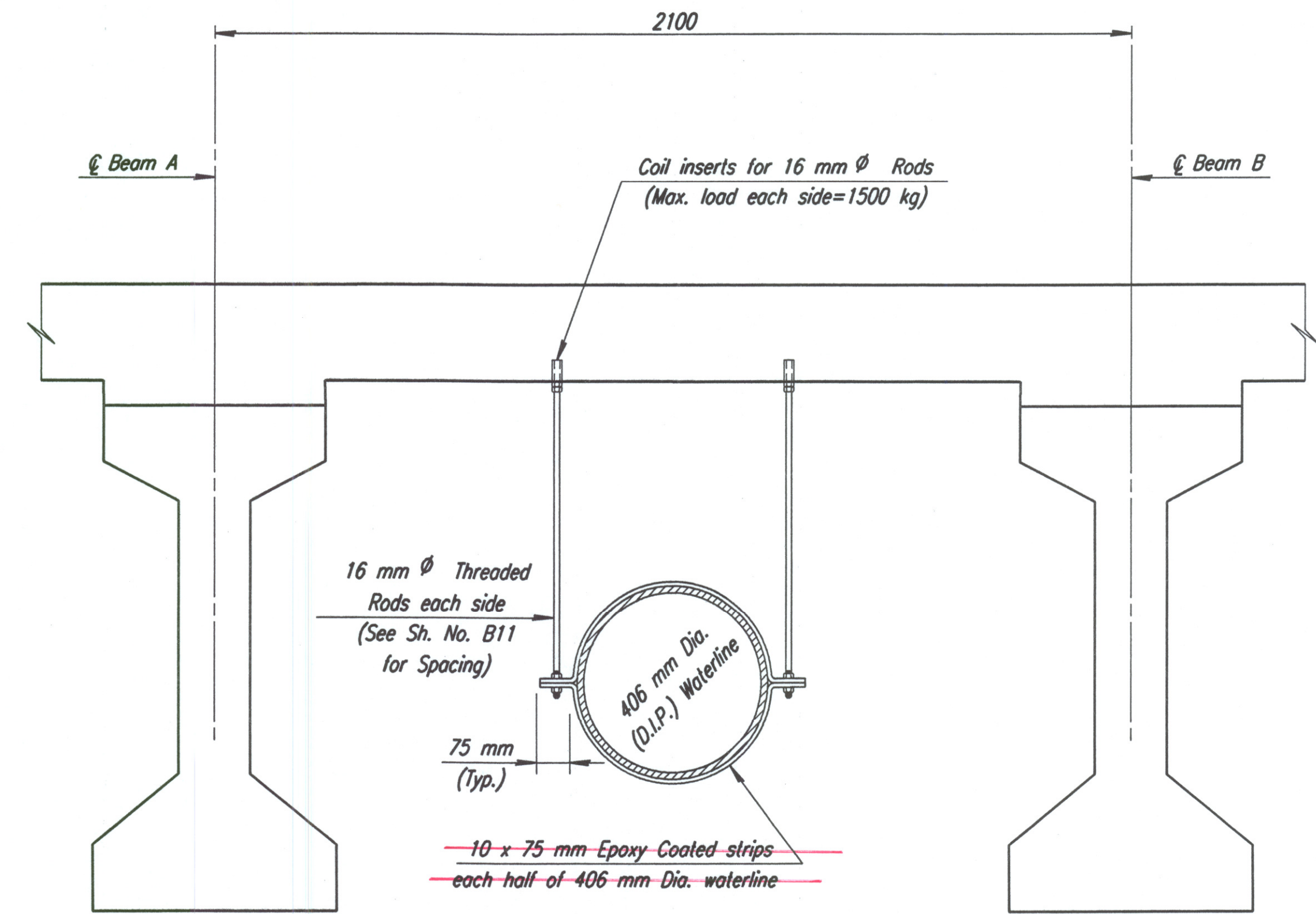
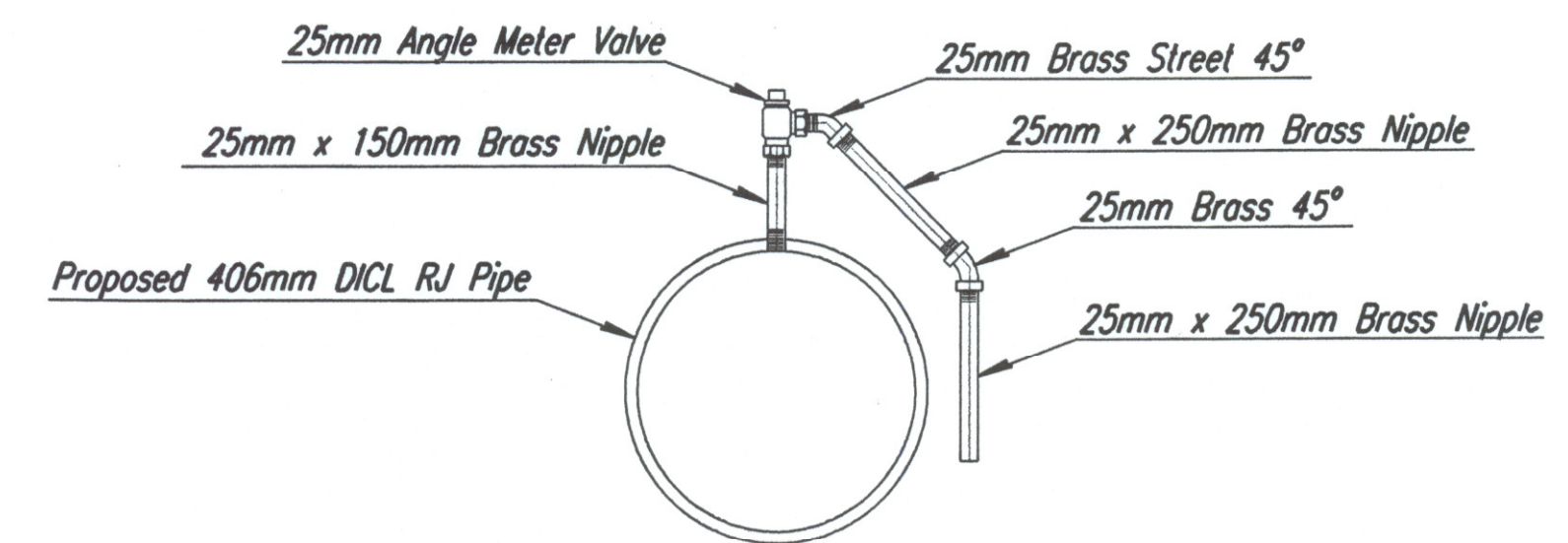


DIAPHRAGM DETAIL
 (Shown Looking Upstation)
 (12 Required)
 (See Submittal #15)

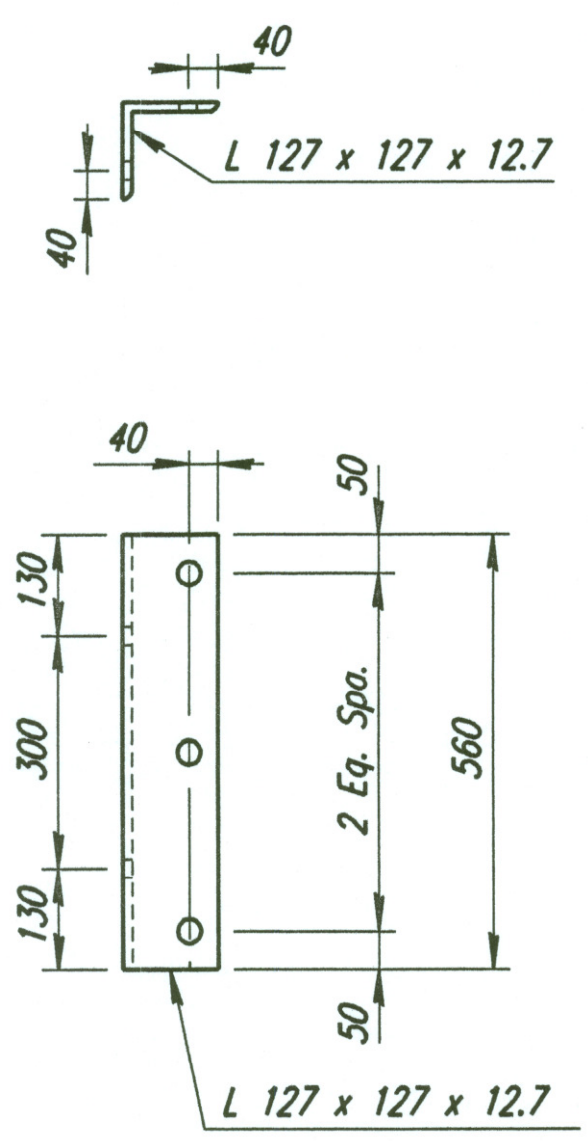


INTERMEDIATE WATERLINE SUPPORT DETAIL
 (28 Supports Required)
 (SEE submittal #5: 12 & 65)

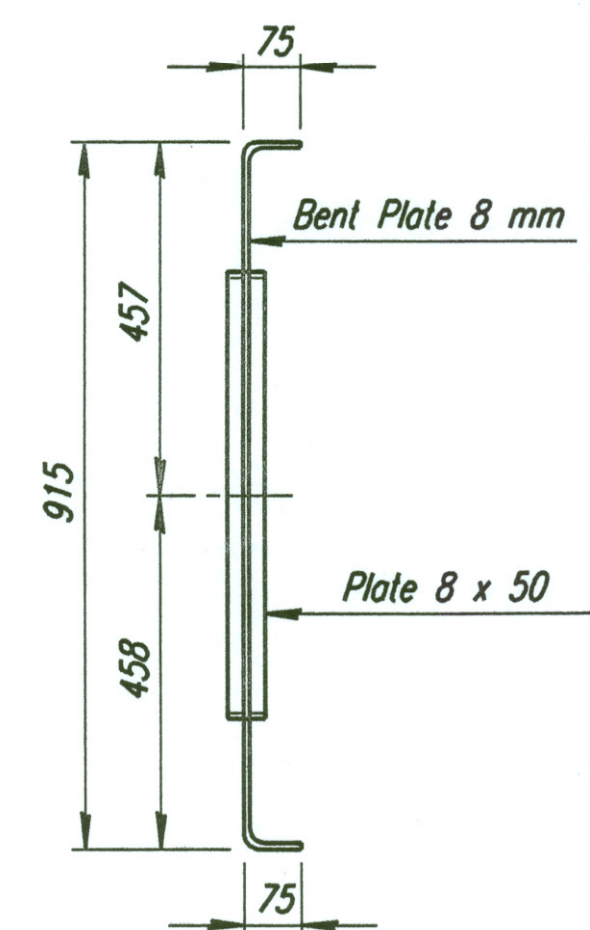
WATERLINE DIAPHRAGMS: Use ASTM A709M Gr. 250 steel for all plates angles and bent plates for waterline diaphragms. All bolts, nuts, and washers for fasteners shall conform to Heavy Hex ANSI B18.2.3.5M. Galvanize all plates, rods, angles, bolts, nuts, and washers in accordance with the KDOT Specifications. Install the waterline diaphragms, as shown in the details, prior to placing any superstructure concrete. Use standard holes in the connection angles, oversized holes in one end of the diaphragm, and vertical long slotted holes in the other end of diaphragm. A hardened steel washer is required at oversized holes and a plate washer is required at the slotted hole locations. Submit shop drawings of the waterline diaphragms to the KDOT Bridge Section for review and approval. The material, equipment, and labor necessary for the installation of the waterline diaphragms shall not be paid for directly, but shall be Subsidiary to the bid item "Prestressed Concrete Beams".



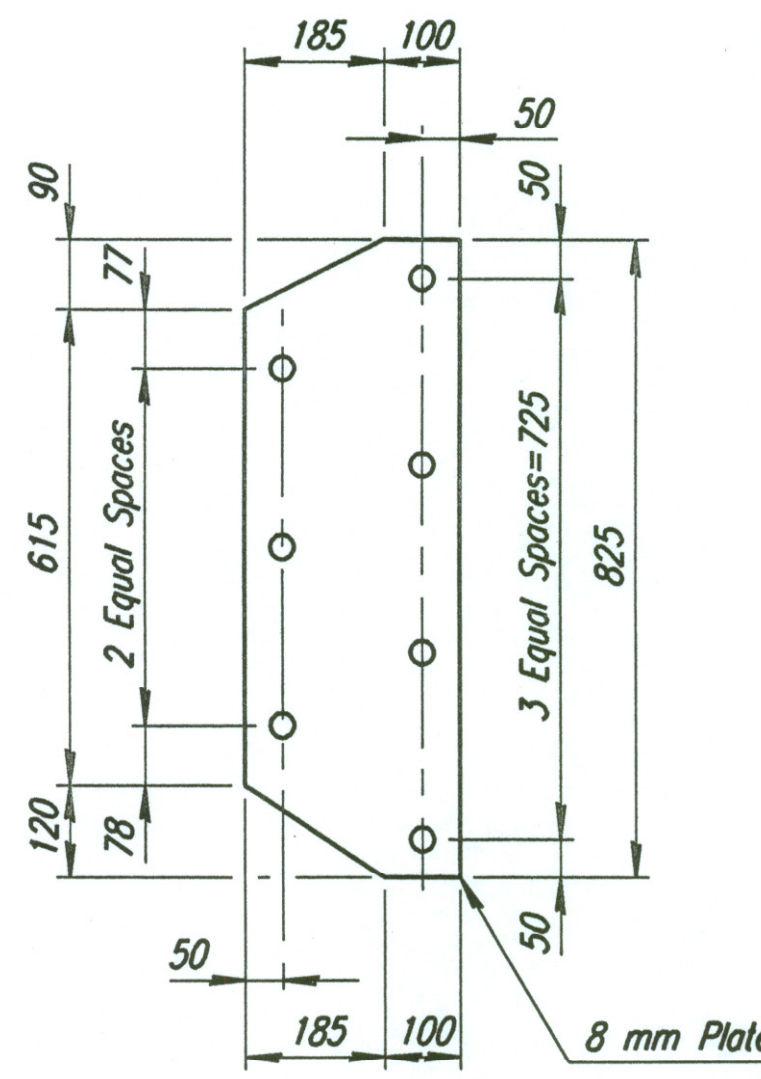
MANUAL AIR RELEASE
 Contractor shall insulate nipples, valve, and bends.



DETAIL A
 (24 Required)



DETAIL B



DETAIL C
 (24 Required)

Note:
 See Framing Plan for Diaphragm locations.
 Adjust waterline joint locations so that they do not conflict with diaphragms and threaded rod supports.
 20 mm Dia. Holes for 20 mm Dia. Bolts.

plotted by : drp 3-19-2002
 drawn by : will
 File: I:\997\97362\001\bridge\cowskin\westbound\pipesupp.dgn

No.	Revisions	By	Date
CITY OF WICHITA			
BR. NO. 54-87-19.32(495)F.W.B.		STA. 16+016.230	
WATERLINE DIAPHRAGM DETAILS W.B. FRONTAGE ROAD OVER COWSKIN CREEK			
SEDGWICK COUNTY			
Professional Engineering Consultants, P.A. 303 S. TOPEKA • WICHITA, KANSAS 67202 316-262-2691 • FAX 316-262-3003			
Designed by	RWA	Checked by	RAS
Drawn by	WLL	Date	April, 2002
		Job No.	97362