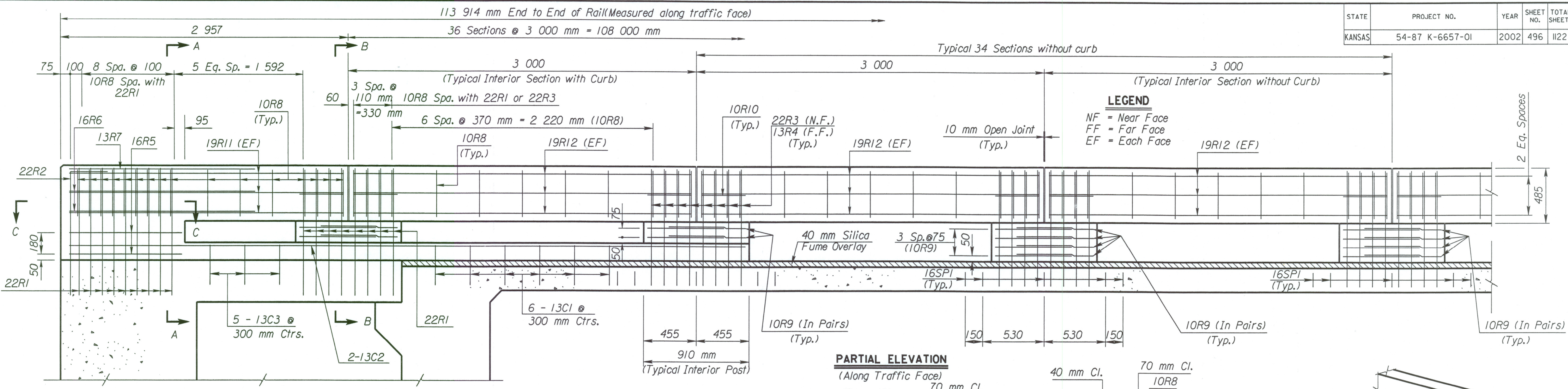
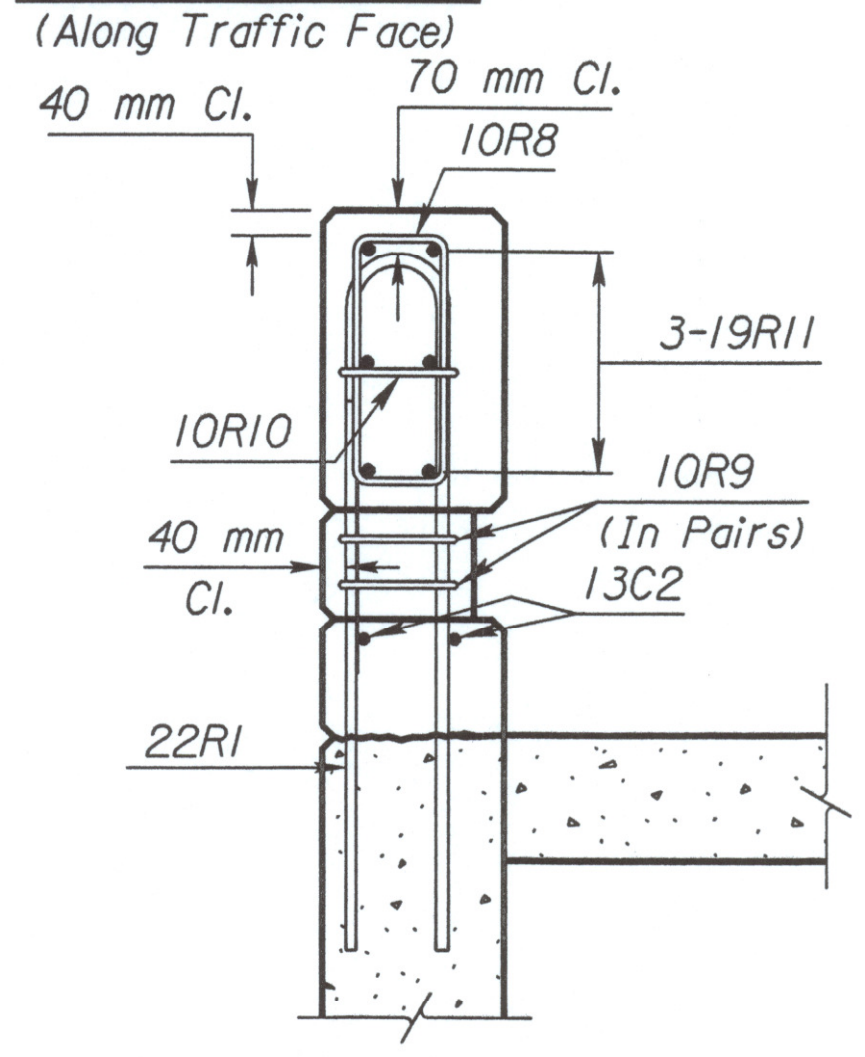


STATE	PROJECT NO.	YEAR	SHEET NO.	TOTAL SHEETS
KANSAS	54-87 K-6657-01	2002	496	1122

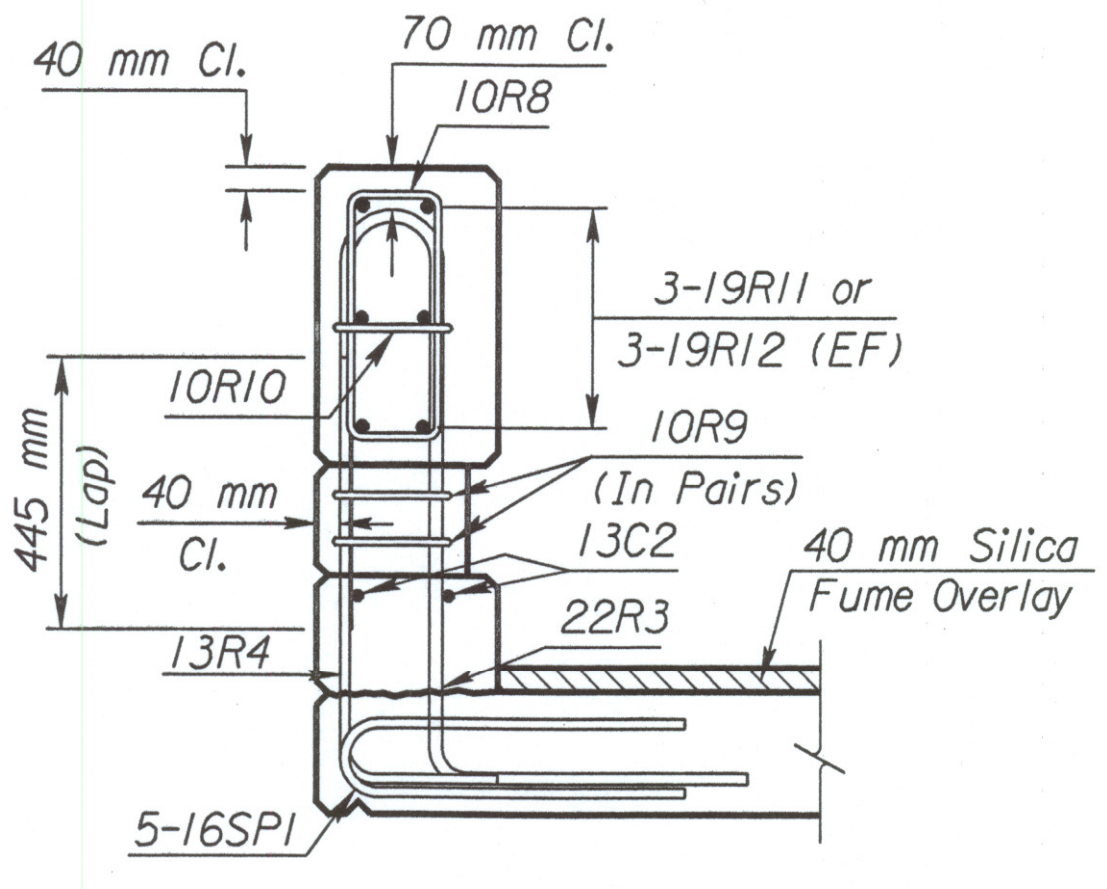


**LEGEND**  
 NF = Near Face  
 FF = Far Face  
 EF = Each Face

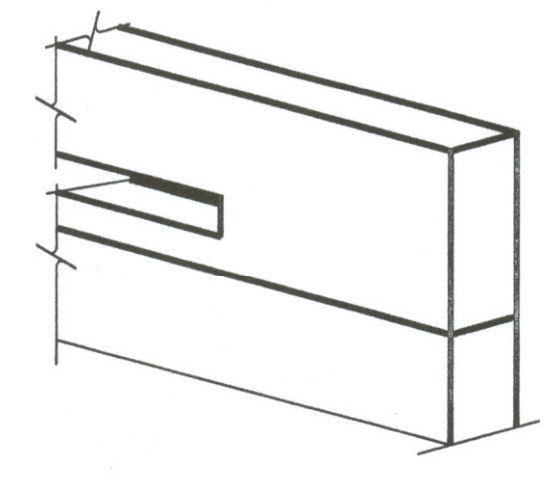
**PARTIAL ELEVATION**  
 (Along Traffic Face)



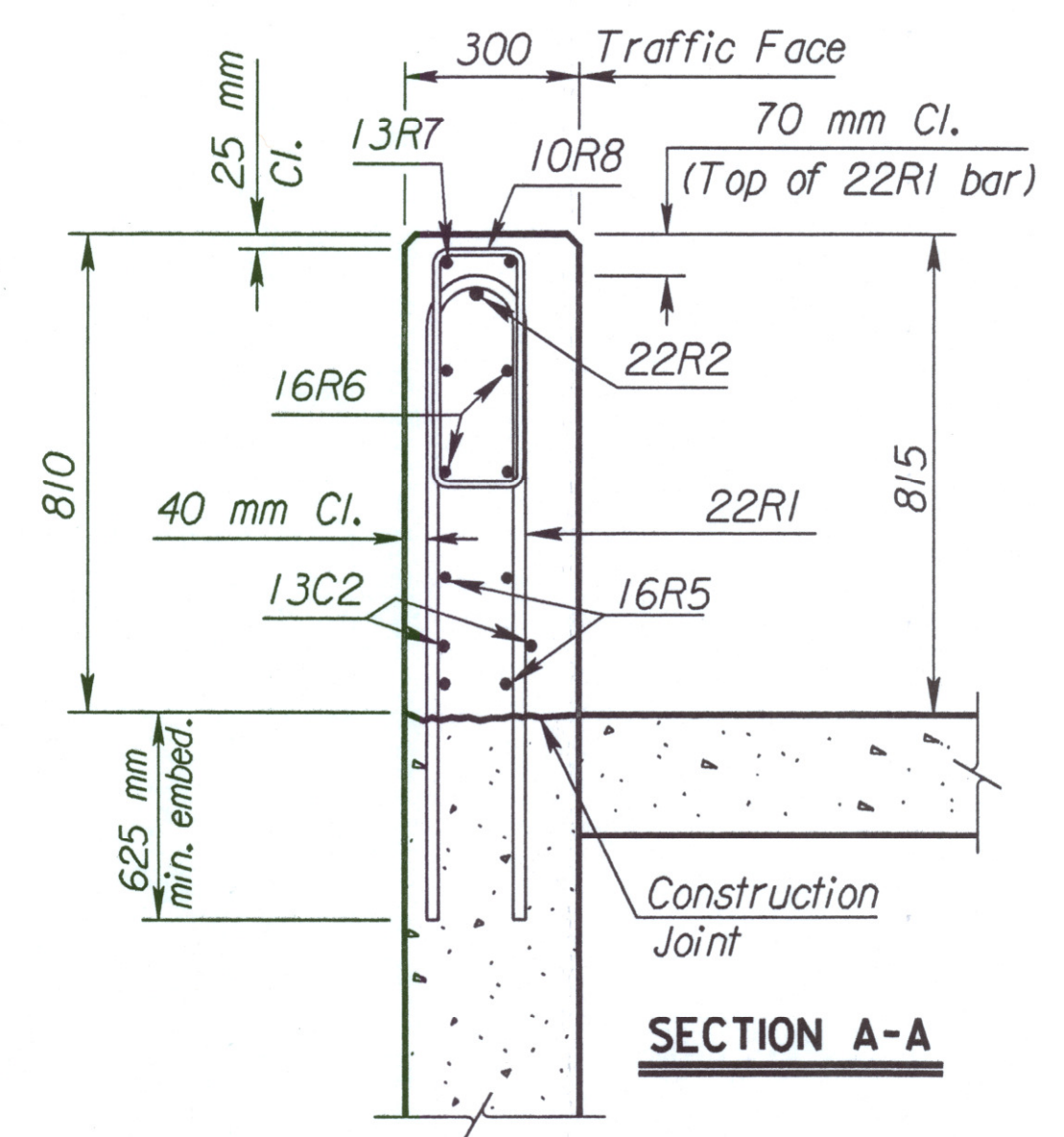
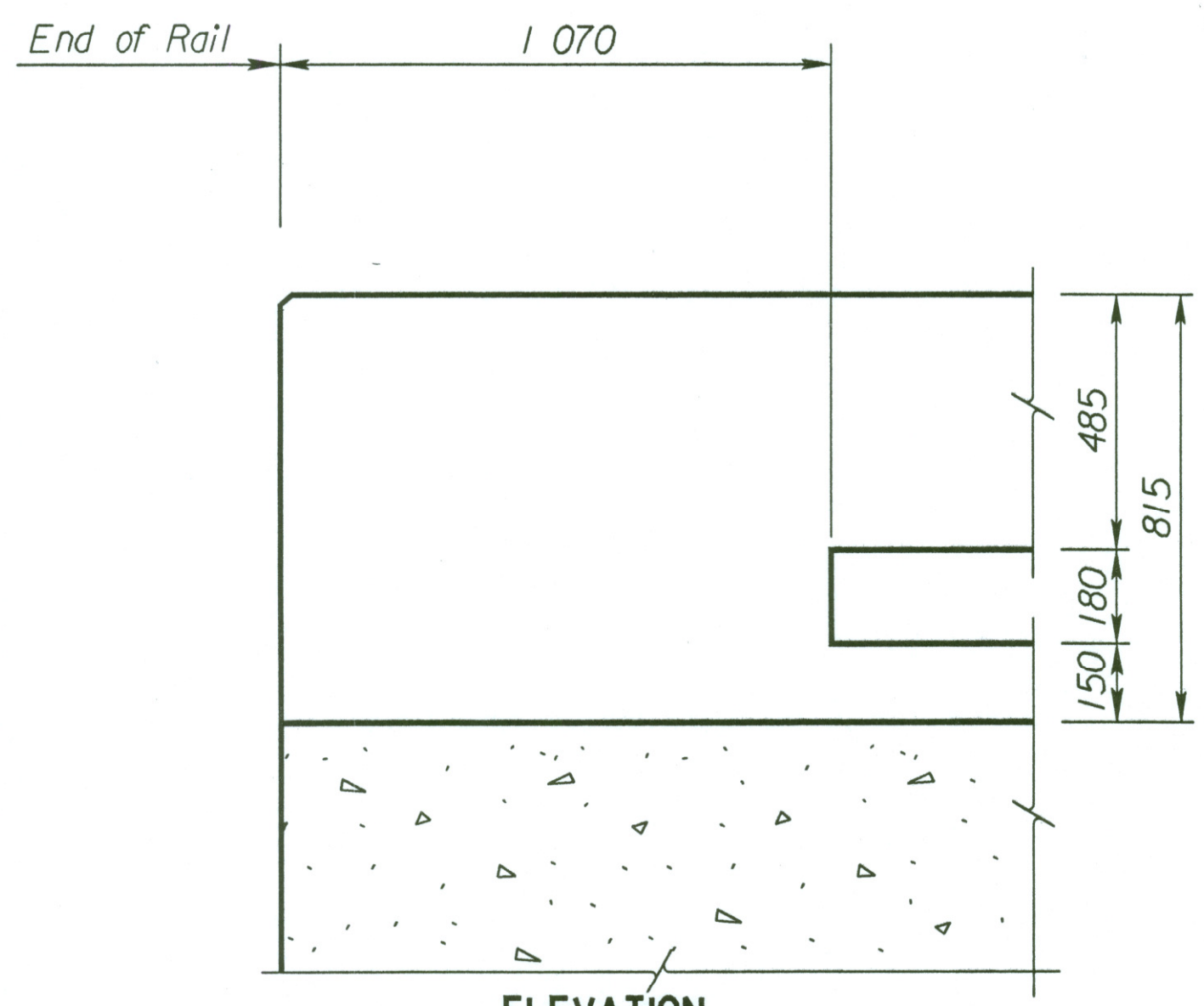
**SECTION B-B**



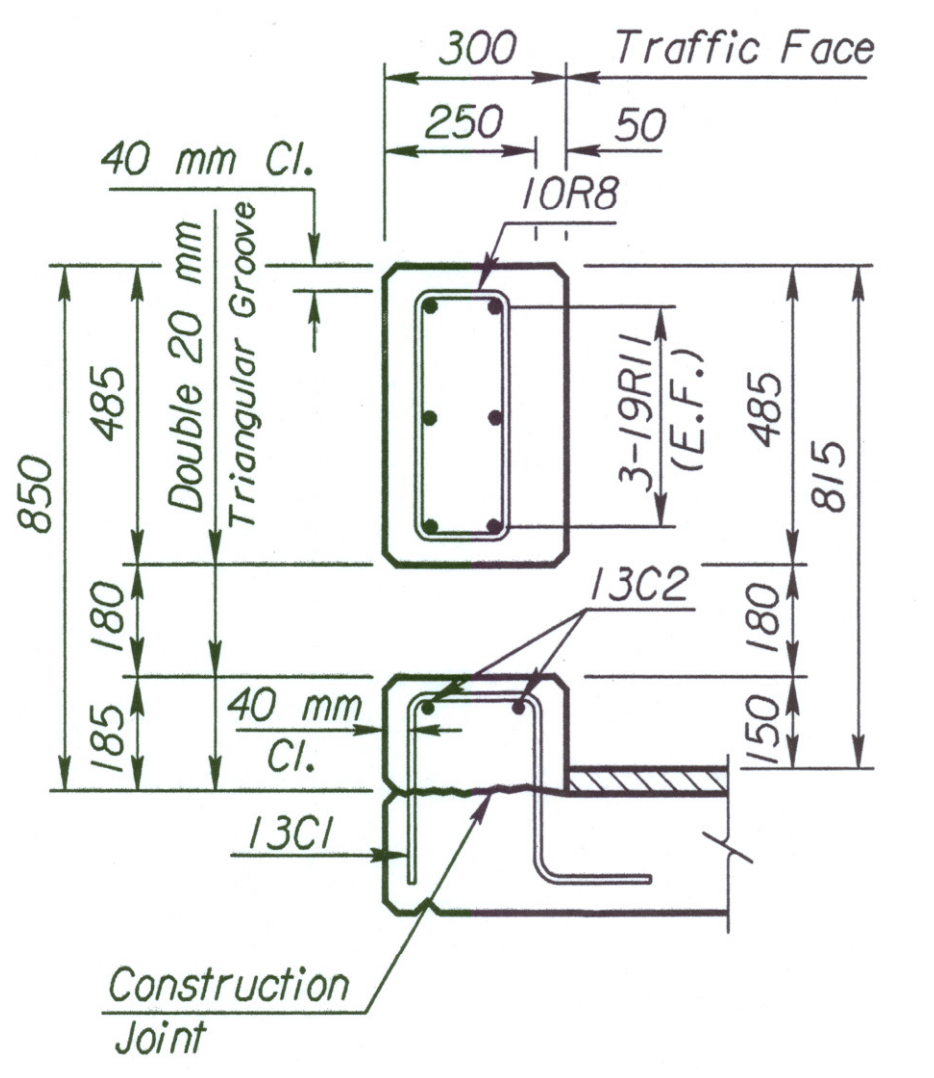
**SECTION THRU POST**  
 (With Curb)



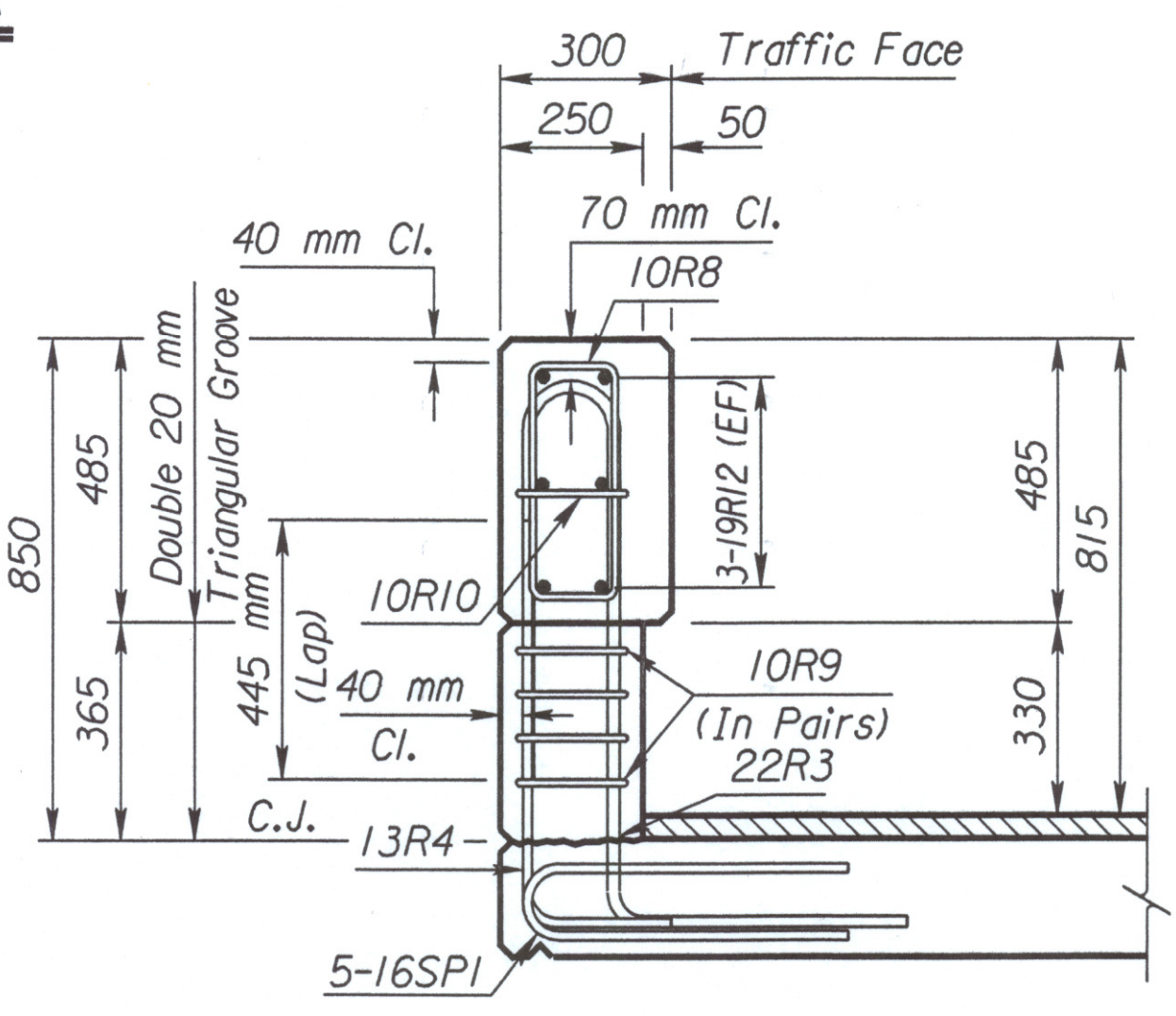
**RAIL END**



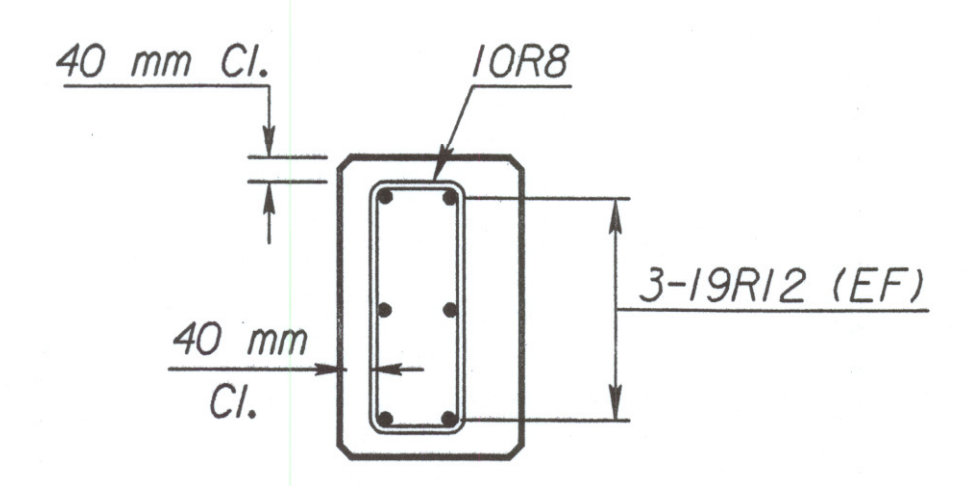
**SECTION A-A**



**TYPICAL SECTION BETWEEN POST**  
 (With Curb)



**SECTION THRU POST**  
 (Without Curb)



**TYPICAL SECTION BETWEEN POST**  
 (Without Curb)

Plotted By : RAS  
 Plot File : i:\997\97362\001\bridge\cowskin\WESTBOUND\SouthRail  
 Plot Date : 1-15-2002  
 Std. Base File :  
 Server File : usr2\stand\si\br182basi.dgn  
 Server : wch  
 View : PLOT 1

3				
2				
1	6-14-96	Current Release		
NO.	DATE	REVISIONS	BY	APP'D
CITY OF WICHITA				
Br. No. 54-87-19.32(495)F.W.B. Sta. 16+016.230				
815 mm KANSAS CORRAL RAIL WB Frontage Rd. South Rail				
Sedgwick Co.				
SHEET NO.	OF	SCALE	APP'D	
DESIGNED		DETAILED	QUANTITIES	CADD
DESIGN CK.		DETAIL CK.	QUAN. CK.	CADD CK.