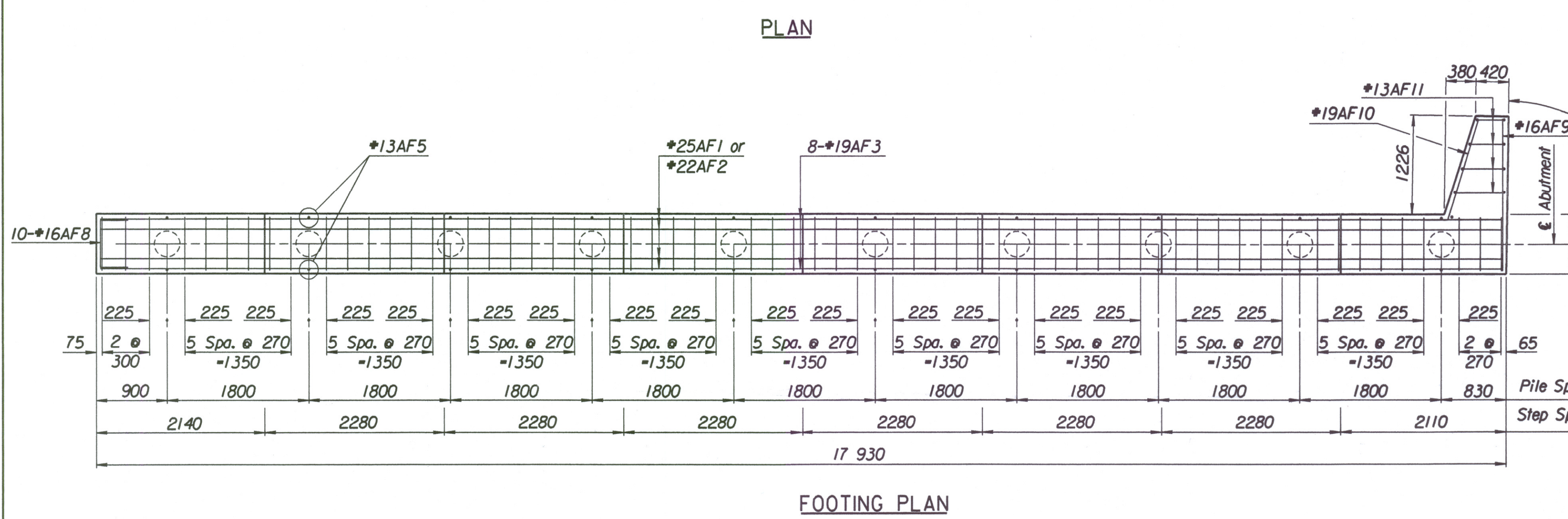
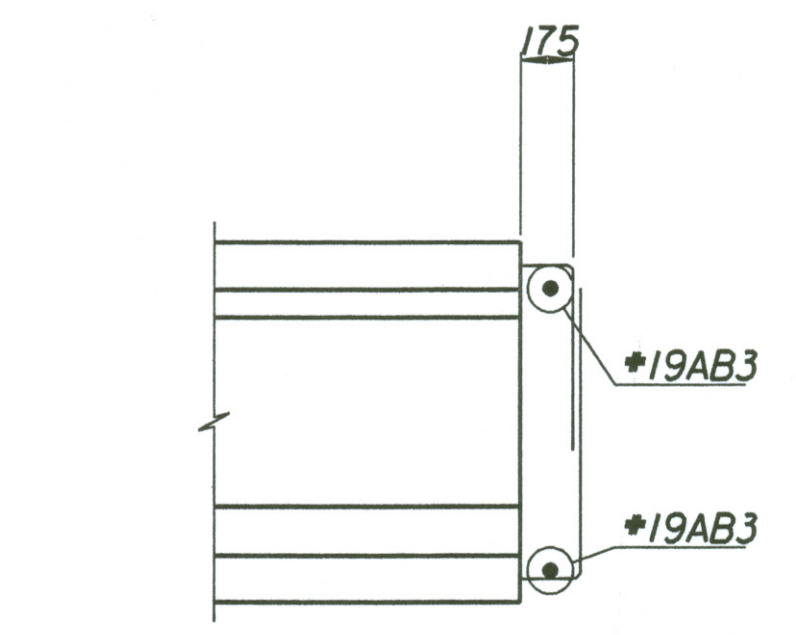
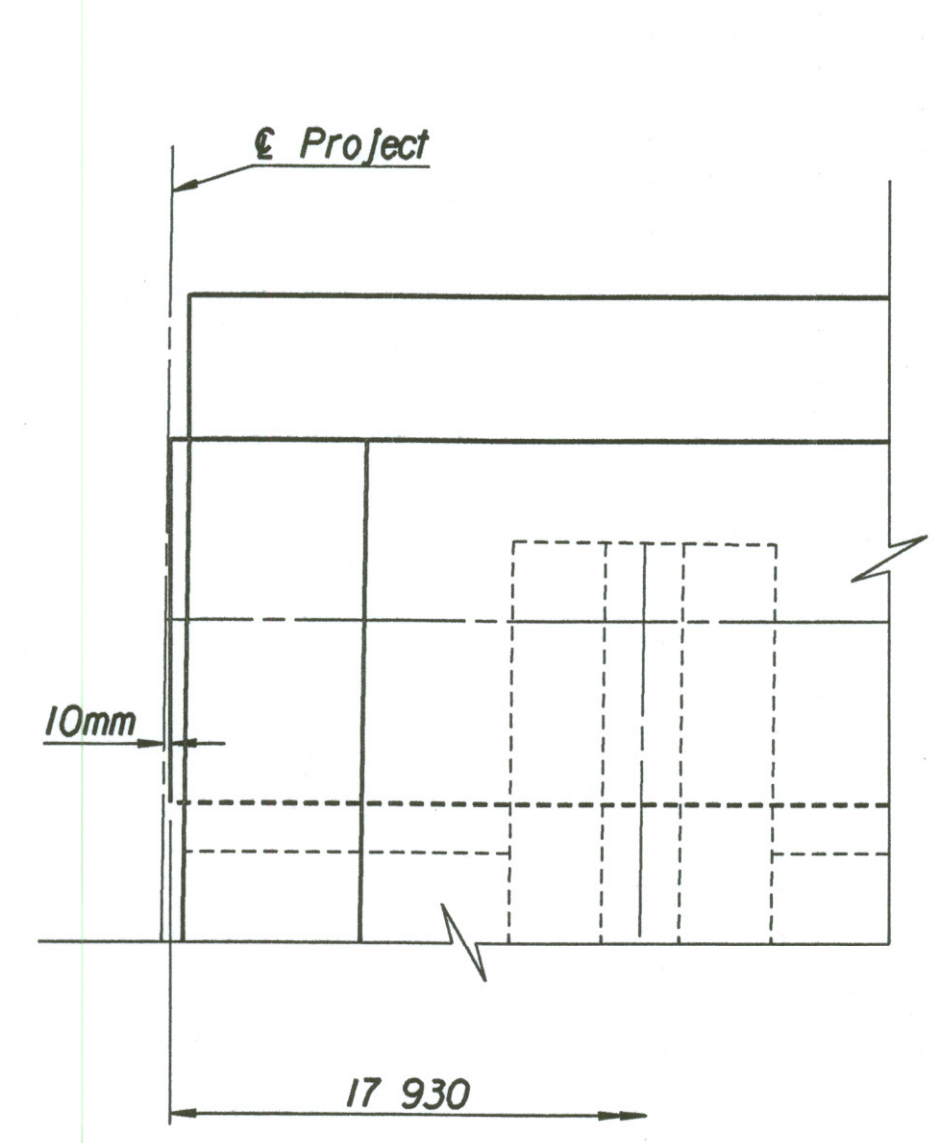
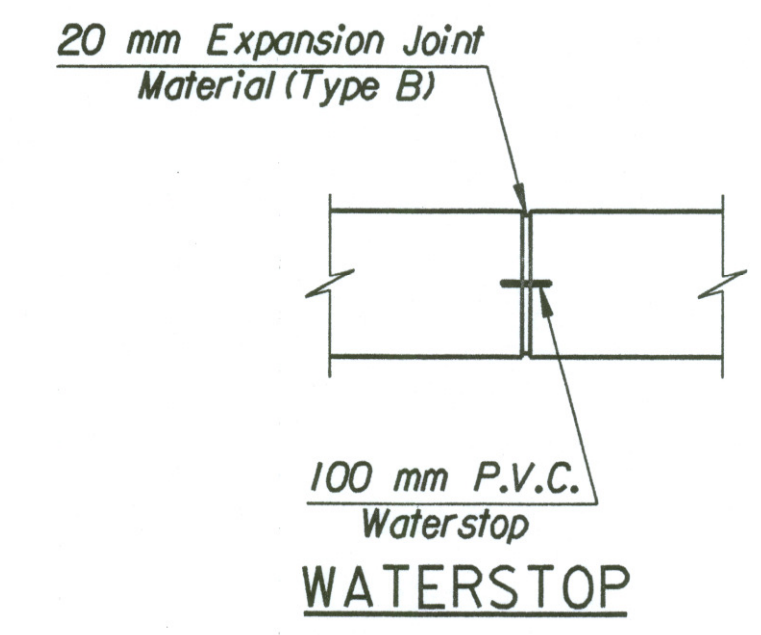


Location	Elevation
Elev. A	403.899
Elev. C	403.948
Elev. E	402.519
Elev. F	402.564
Elev. G	402.609
Elev. H	402.654
Elev. I	402.699
Elev. J	402.744
Elev. K	402.789
Elev. L	402.833
Elev. U	400.219
Elev. V	404.253
Elev. X	404.285

LEGEND:
 N.F. = Near Face
 F.F. = Far Face
 E.F. = Each Face



Group	Actual	Allowable
Group 1 Loading	432	440

No.	Revisions	By	Date
CITY OF WICHITA BR. NO. 54-87-19.3(494) W.B. STA. 16+011.650 WEST KELLOGG WESTBOUND MAINLINE OVER COWSKIN CREEK ABUTMENT NO. 1 DETAILS SEDGWICK COUNTY			
Professional Engineering Consultants, P.A. 303 S. TOPEKA - WICHITA, KANSAS 67202 316-262-2691 • FAX 316-262-9003			
Designed by	RAS	Checked by	RAS
Drawn by	RAS	Date	April, 2002
		Job No.	97362

Drawn By: ros
 Plotted By: drp 3-25-2002
 I:/1997/97362/001/bridge/cowskin/Mainline/abmt1wbml.dgn