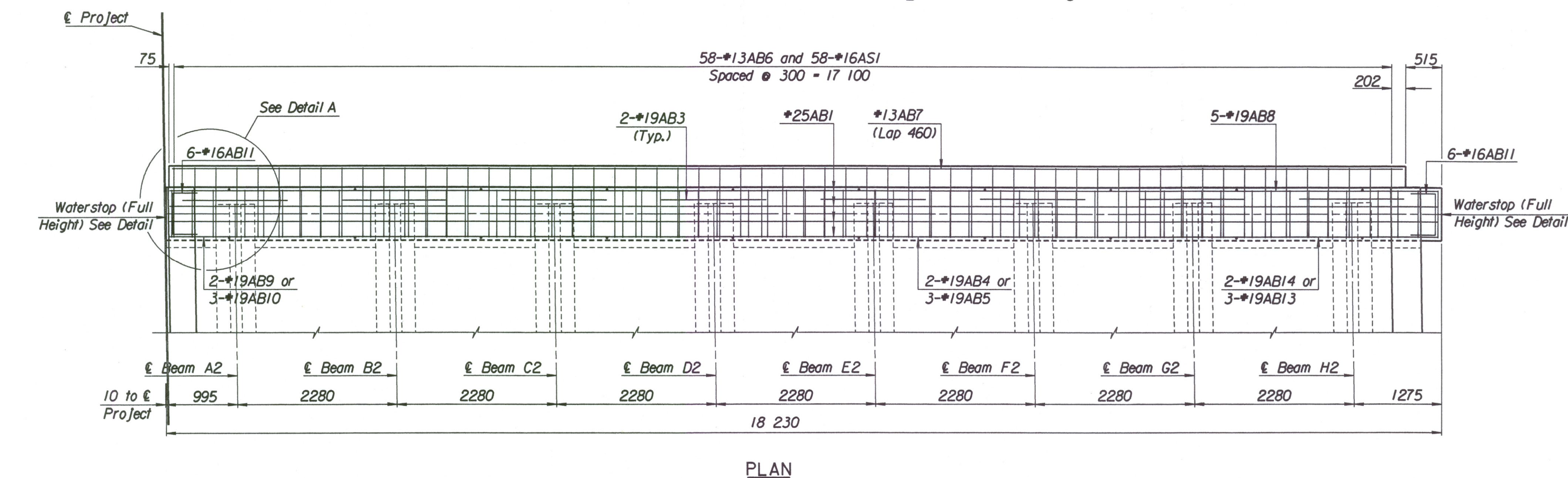
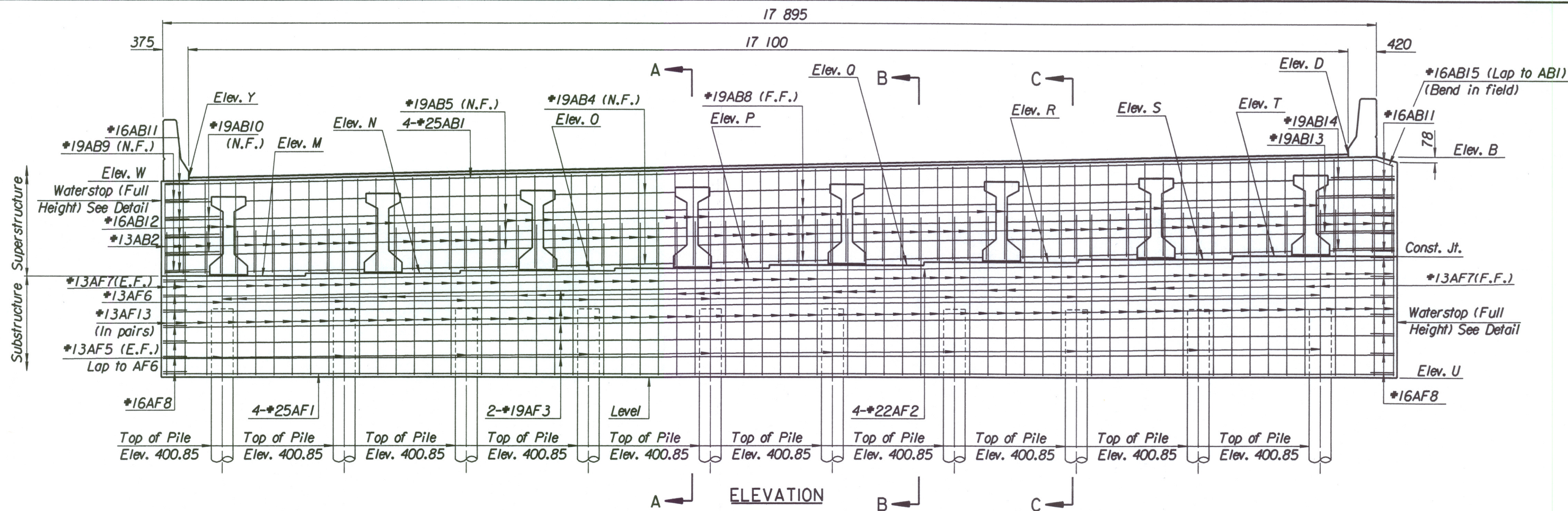
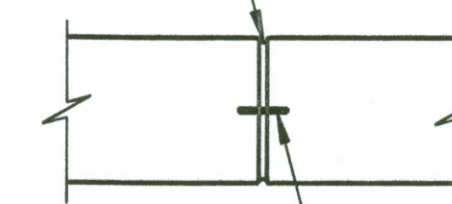


STATE	PROJECT NO.	YEAR	SHEET NO.	TOTAL SHEETS
KANSAS	54-87 K-6657-01	2002	511	1122

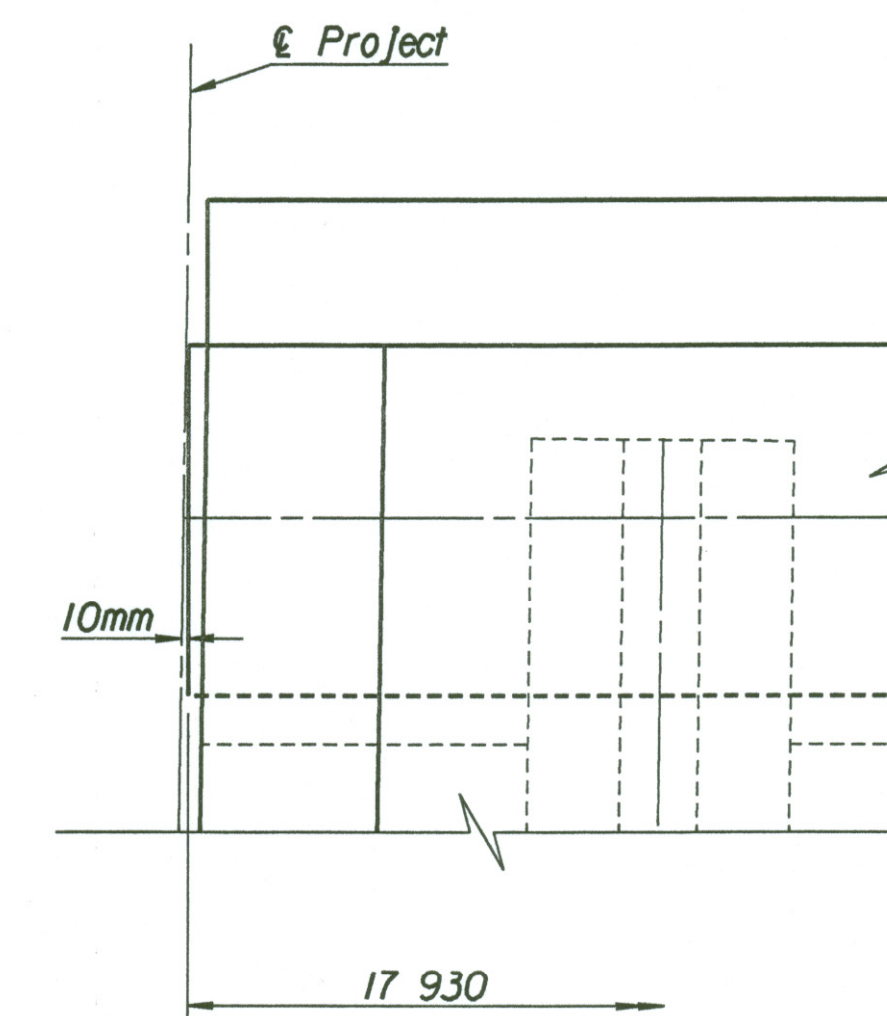


PLAN

20 mm Expansion Joint Material (Type B)



100 mm P.V.C. Waterstop
WATERSTOP

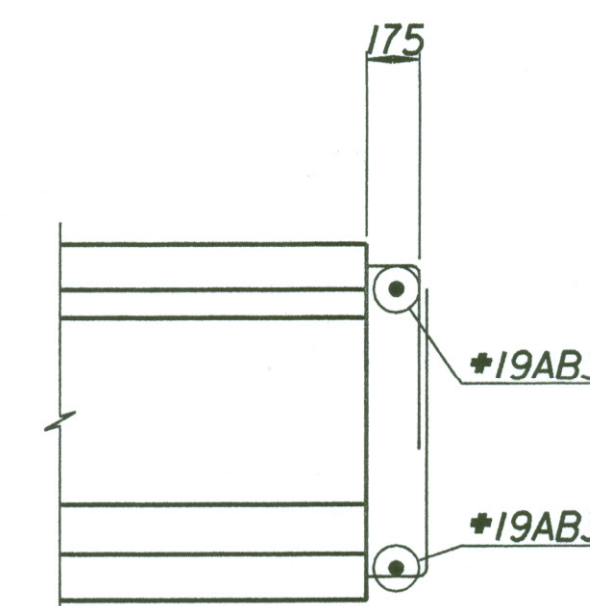


DETAIL A
(No Reinforcing shown for clarity)

TABLE OF ELEVATIONS

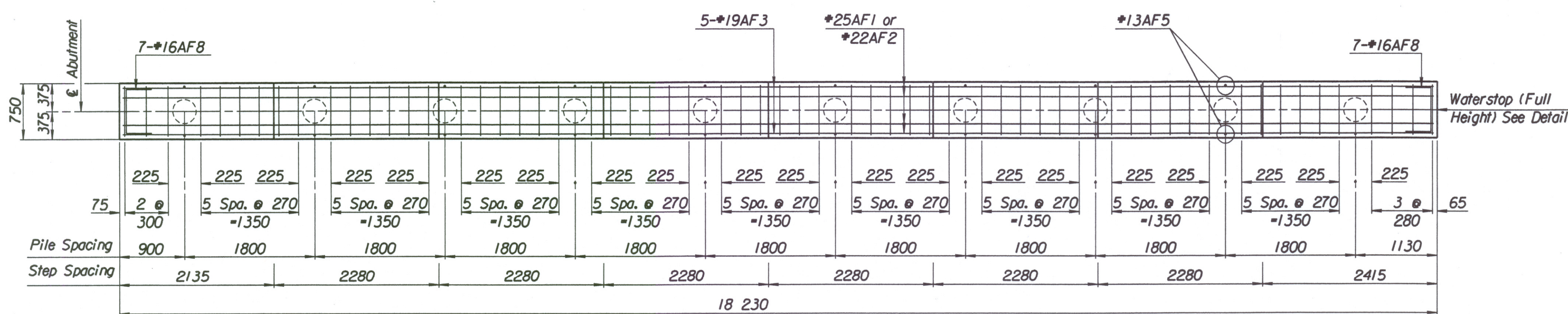
Location	Elevation
Elev. B	403.086
Elev. D	403.118
Elev. M	401.340
Elev. N	401.386
Elev. O	401.431
Elev. P	401.477
Elev. Q	401.523
Elev. R	401.569
Elev. S	401.615
Elev. T	401.661
Elev. U	399.850
Elev. W	402.721
Elev. Y	402.768

LEGEND:
N.F. = Near Face
F.F. = Far Face
E.F. = Each Face



K3 BEAM END ELEVATION

Abutment Pile Loadings (kN)		
	Actual	Allowable
Group I Loading	406	440



FOOTING PLAN

No.	Revisions	By	Date
CITY OF WICHITA			
BR. NO. 54-87-19.30(493) E.B.		STA. 16+011.650	
WEST KELLOGG EASTBOUND MAINLINE OVER COWSKIN CREEK			
ABUTMENT NO. 2 DETAILS			
SEDGWICK COUNTY			
Professional Engineering Consultants, P.A. 303 S. TOPEKA • WICHITA, KANSAS 67202 316-262-2691 • FAX 316-262-3003			
Designed by	R.A.S.	Checked by	R.A.S.
Drawn by	R.A.S.	Date	April, 2002
		Job No.	97362

Drawn By: ras
 Plotted By: drp 3-25-2002
 i:/1997/97362/001/bridge/cowskin/mainline/abmt2eeml.dgn