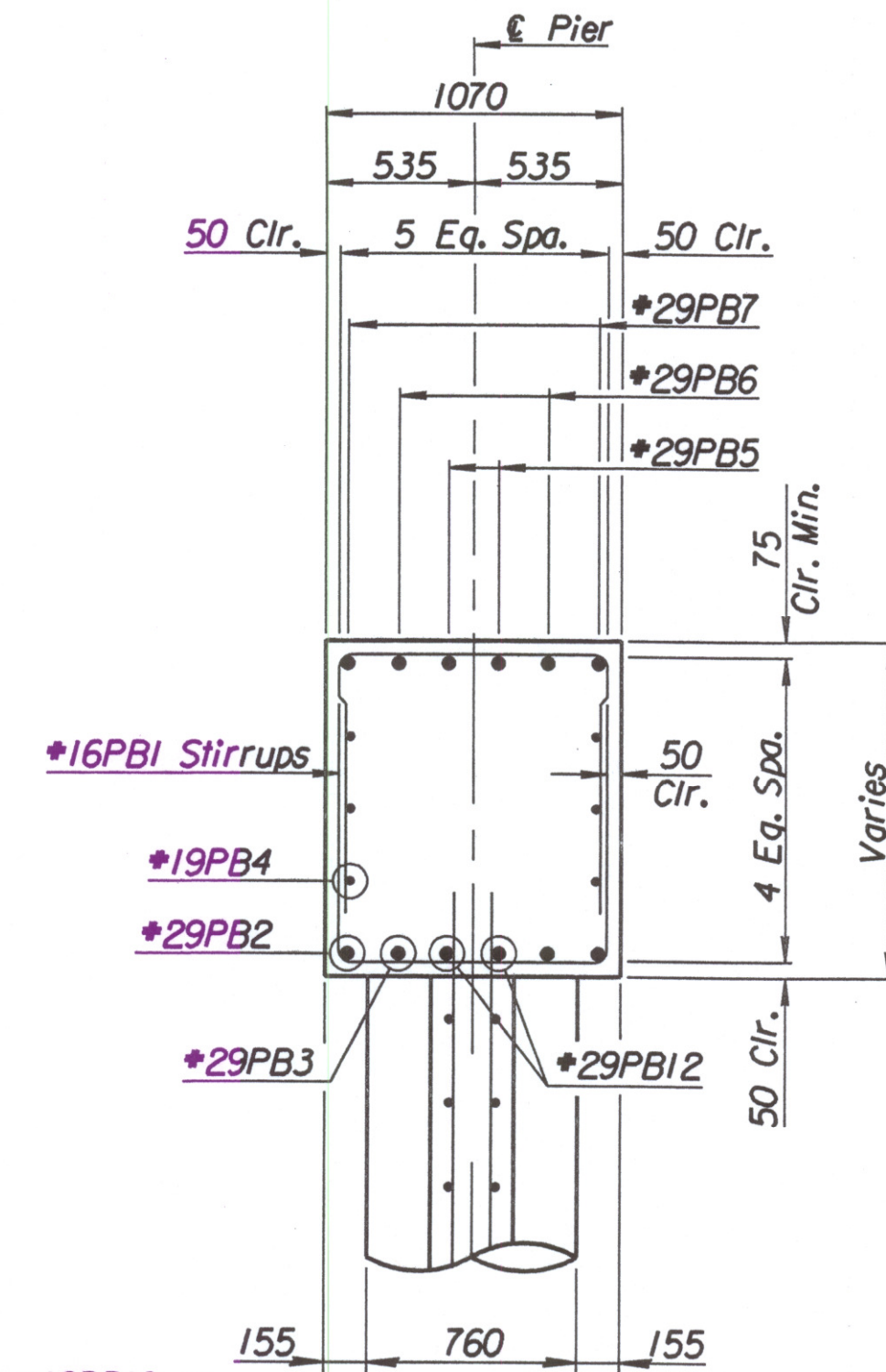
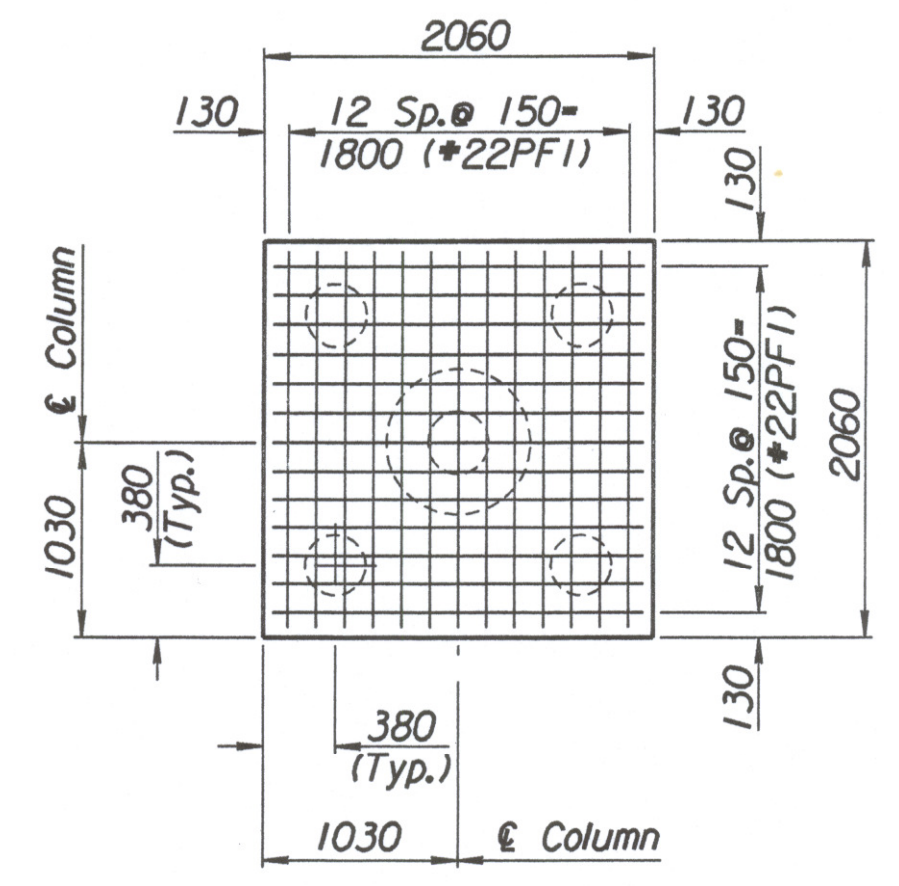


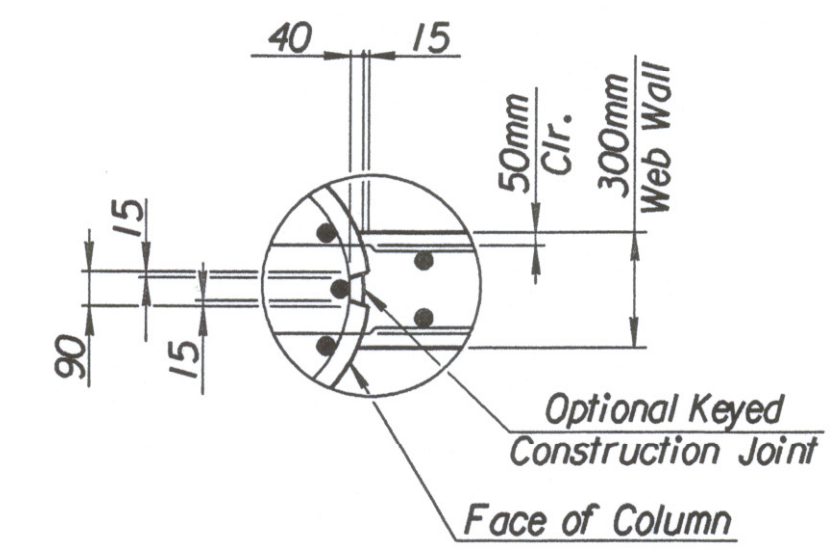
PLAN



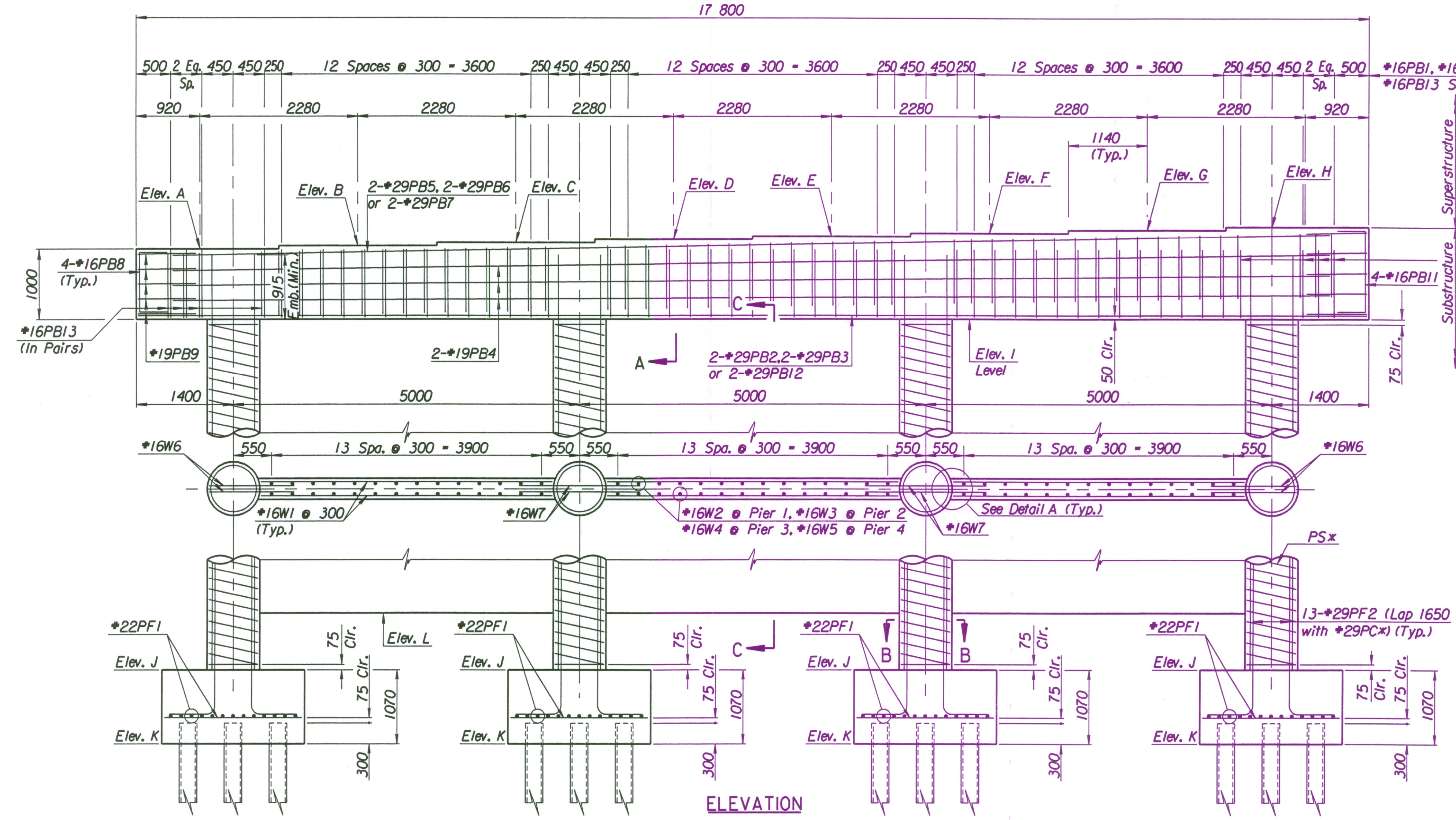
SECTION A-A



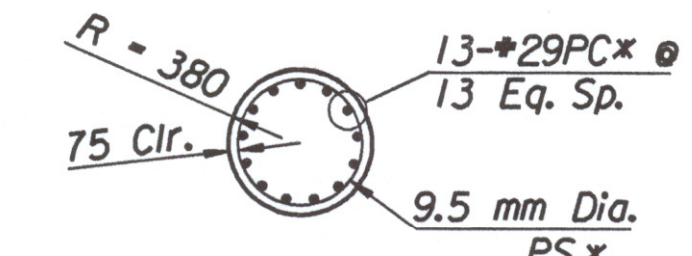
FOOTING PLAN



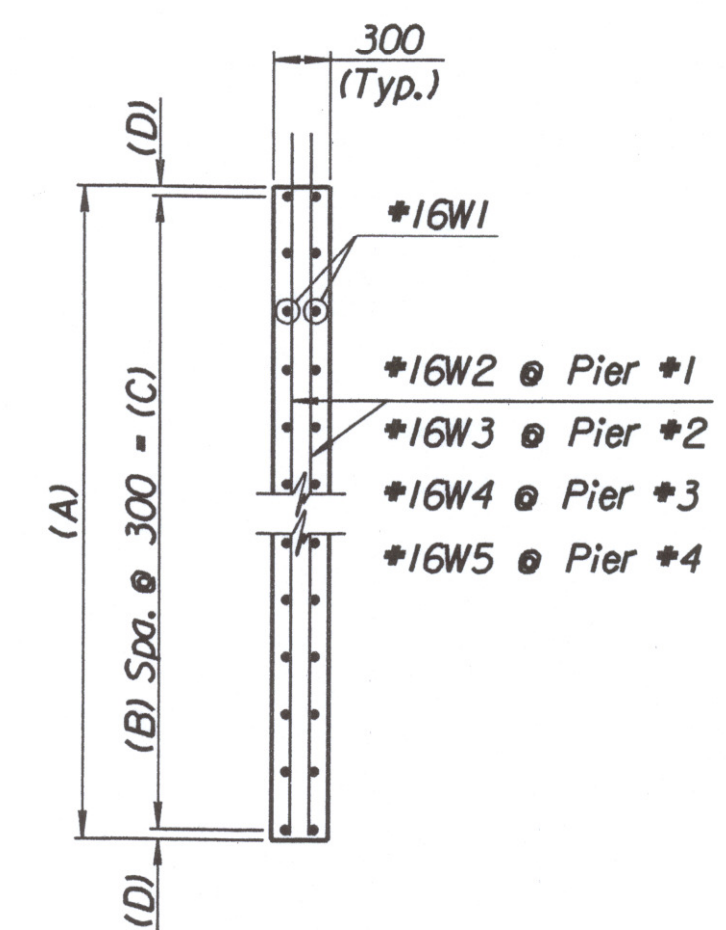
DETAIL A



ELEVATION



SECTION B-B
(Web Wall not Shown - See Elevation)



SECTION C-C

TABLE OF ELEVATIONS - 19.31 (611) (W.B.)

Location	Elev. A	Elev. B	Elev. C	Elev. D	Elev. E	Elev. F	Elev. G	Elev. H	Elev. I	Elev. J	Elev. K	Elev. L
Pier #1	402.094	402.140	402.186	402.231	402.277	402.322	402.368	402.414	401.094	395.404	394.334	397.294
Pier #2	401.731	401.777	401.822	401.868	401.914	401.959	402.005	402.050	400.731	394.841	393.771	396.731
Pier #3	401.427	401.473	401.518	401.564	401.609	401.655	401.701	401.746	400.427	394.837	393.767	396.727
Pier #4	401.182	401.228	401.273	401.319	401.364	401.410	401.456	401.501	400.182	395.392	394.322	397.282

WEB WALL INFORMATION

Location	A	B	C	D
Pier #1	3800	12	3600	100
Pier #2	4000	13	3900	50
Pier #3	3700	12	3600	50
Pier #4	2900	9	2700	100

COLUMN REINFORCING

Location	PSx	PCx
Pier #1	PS1	PC1
Pier #2	PS2	PC2
Pier #3	PS3	PC3
Pier #4	PS4	PC4

Pier Pile Loading (kN)

	Computed	Allowable
Group I Loading	429	440
Group III Loading	550	550
Group IV Loading	549	550
Group V Loading	561	616

Note: See Diaphragm Detail Sheet for Number and Location of #19PB14 bars.

Revisions				By	Date
CITY OF WICHITA					
BR. NO. 54-87-19.31(494)(W.B.)			STA. 16+01.650		
PIER DETAILS					
WEST KELLOGG (US-54) OVER COWSKIN CREEK SEDGWICK COUNTY					
Professional Engineering Consultants, P.A.					
303 S. TOPEKA - WICHITA, KANSAS 67202 316-262-2691 - FAX 316-262-9003					
Designed by	R.W.A.	Checked by	R.A.S.		
Drawn by	D.R.P.	Date	April, 2002	Job No. 97362	

DSNR: RWA OPER: DRP SCALE: 1:100
 I:\1997\97362\001\BRIDGE\COWSKIN\MAINLINE\PIERDETAIL.DGN 11-01-2001 10:53:26 LAST REV: 3-25-2002 BY: drp