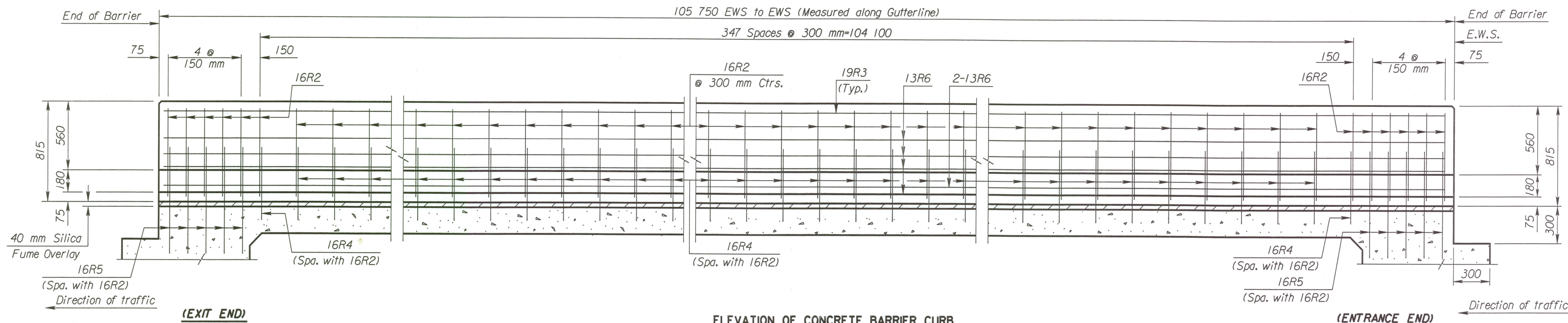
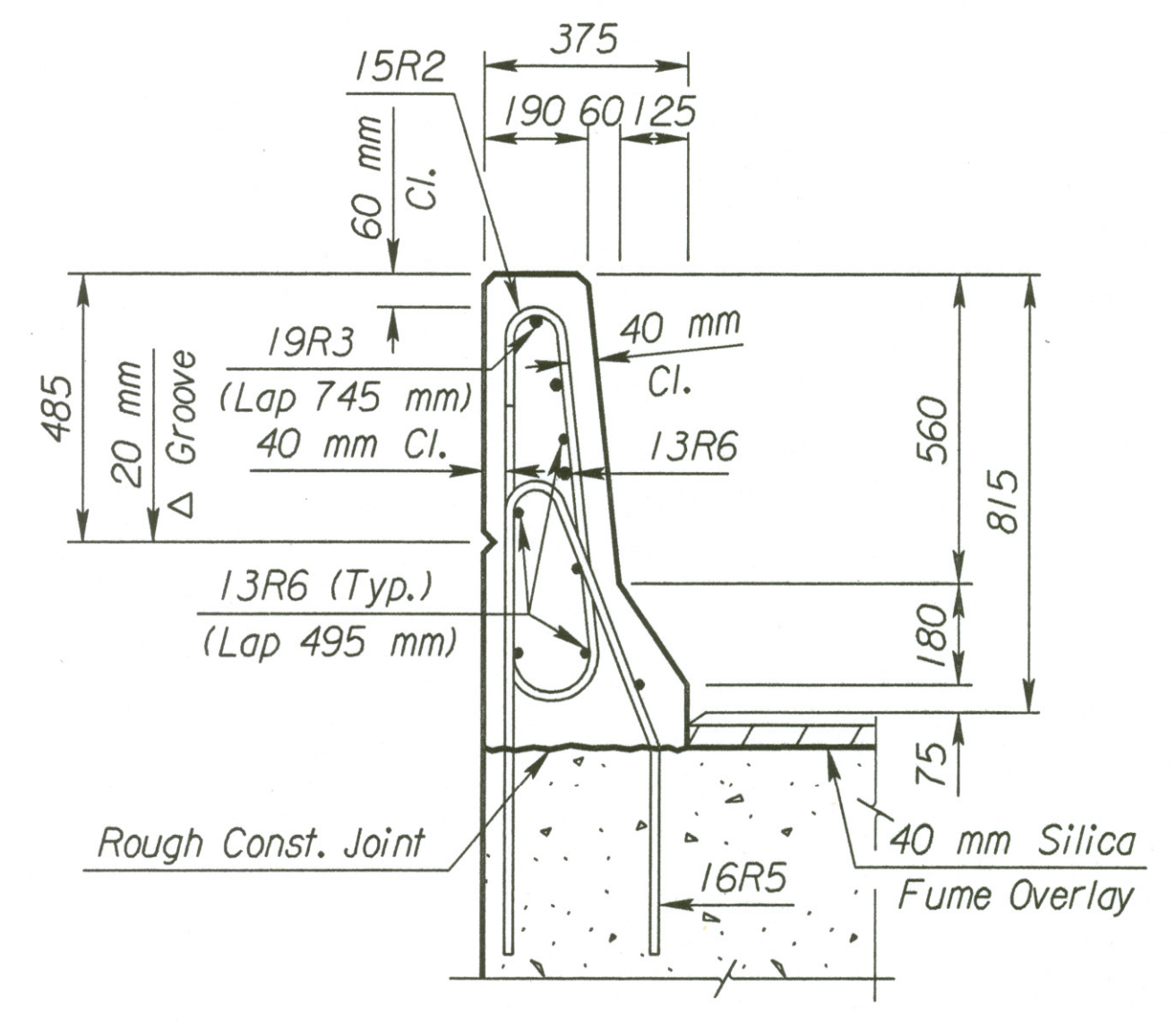


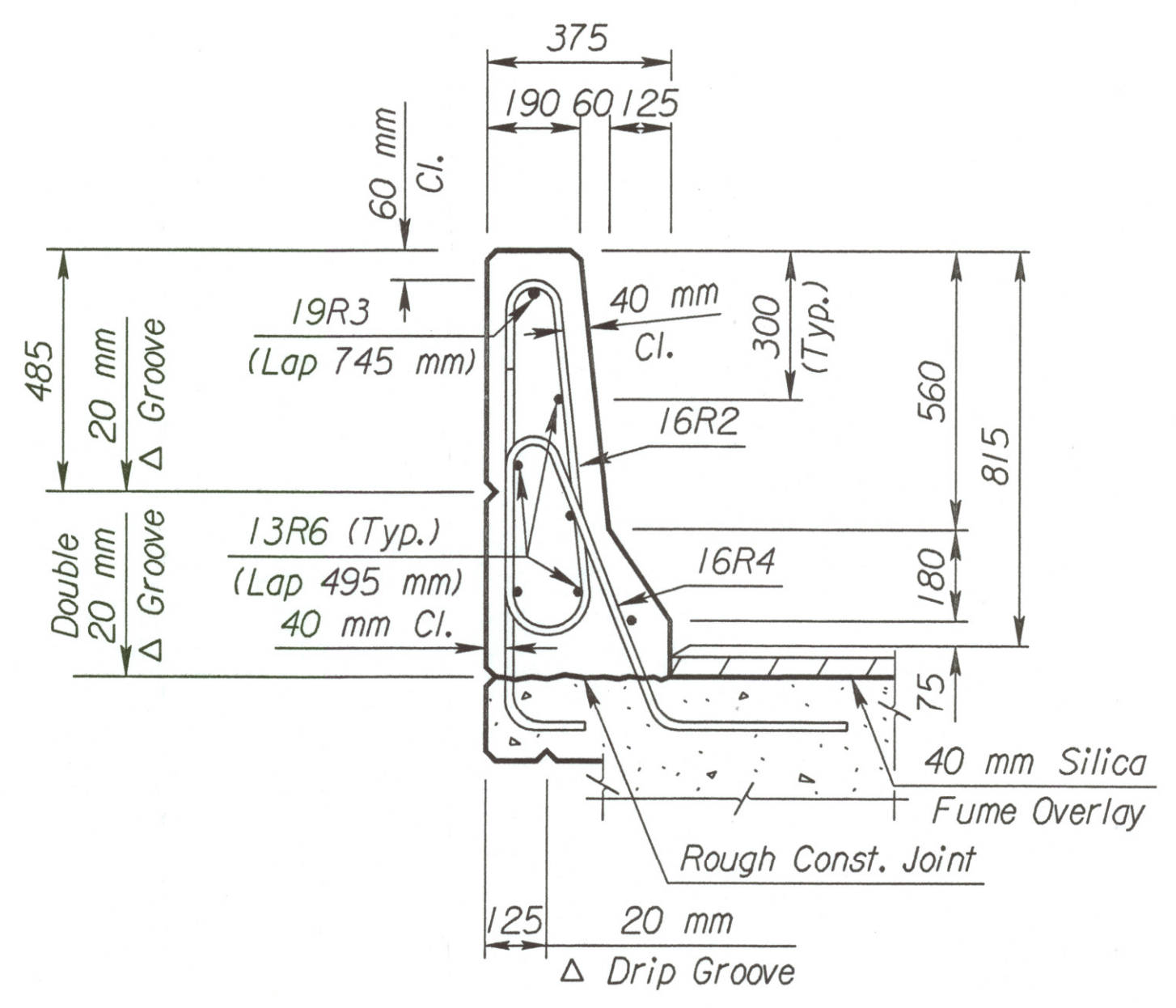
STATE	PROJECT NO.	YEAR	SHEET NO.	TOTAL SHEETS
KANSAS	54-87 K-6657-01	2002	527	1122



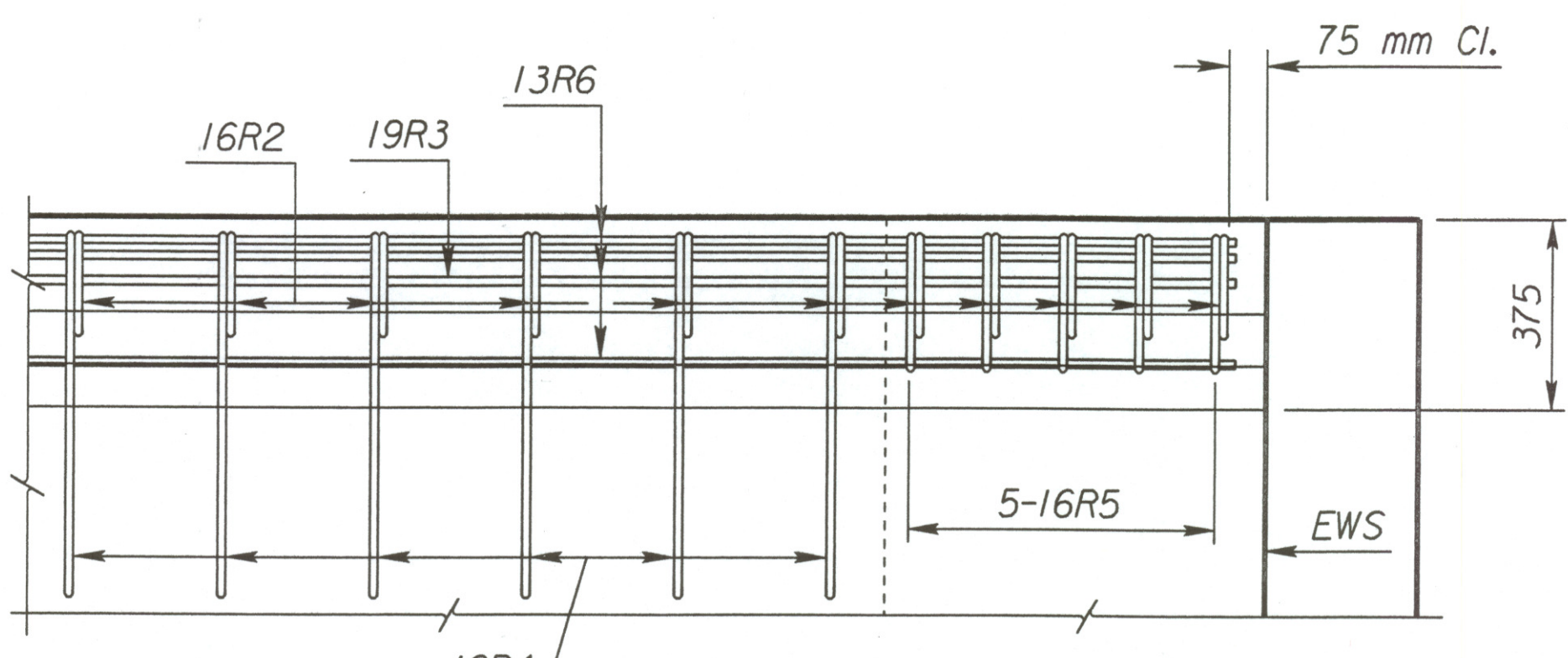
ELEVATION OF CONCRETE BARRIER CURB



**SECTION THRU BARRIER
EXIT TYPE END
(At abutment)**



SECTION THRU BARRIER



PLAN OF ENTRANCE TYPE END

Plotted By : DRP
 Plot File : i:\1997\97.362\001\bridge\cowskin\mainline\EBMainline\EBMainline.dgn
 Plot Date : 3-28-2002
 Server File : usr2\stand\si\br184csi.dgn
 Server : witch
 View = PLOT 1

3				
2				
1	11-30-99	Current Release		
NO.	DATE	REVISIONS	BY	APP'D
CITY OF WICHITA				
Br. No. 54-87-19.31(494) W.B.		Sta. 16+011.650		
Br. No. 54-87-19.30(493) E.B.		Sta. 16+011.650		
815 mm Interior Rail				
Sedgwick Co.				
SHEET NO.	OF	SCALE	APP'D	
DESIGNED		DETAILED	QUANTITIES	CADD
DESIGN CK.		DETAIL CK.	QUAN. CK.	CADD CK.