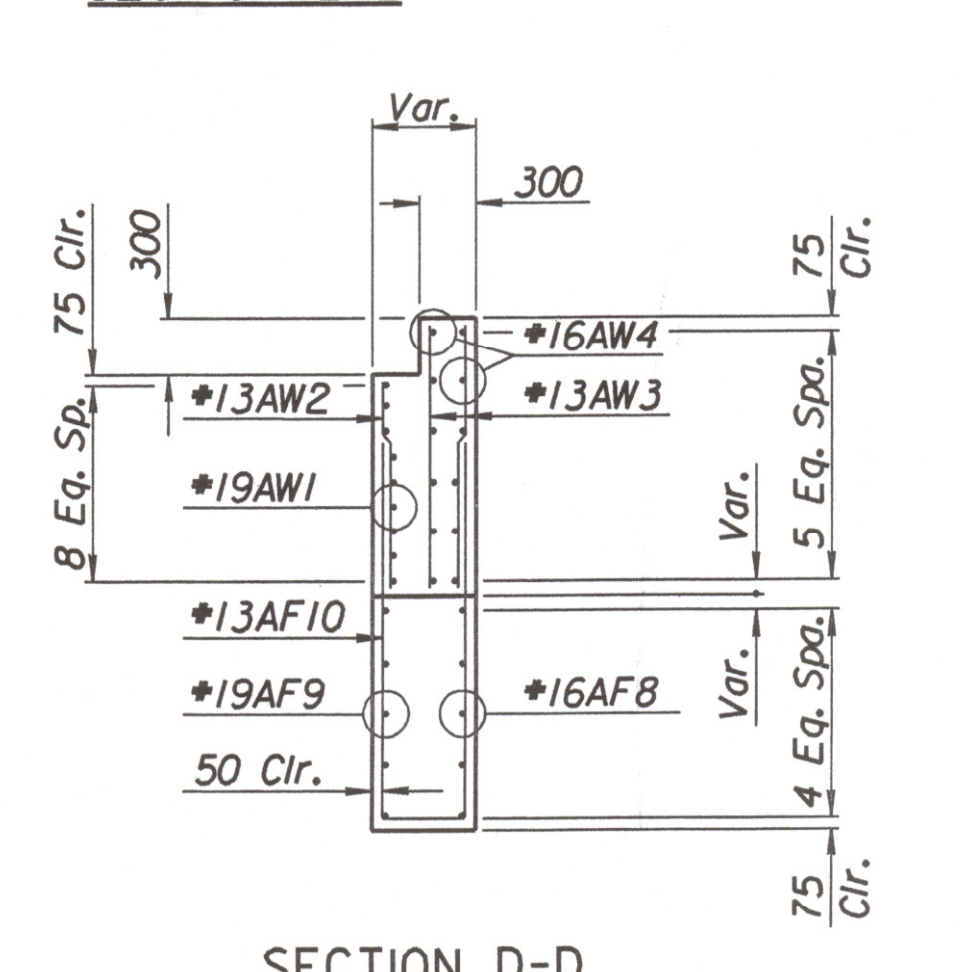
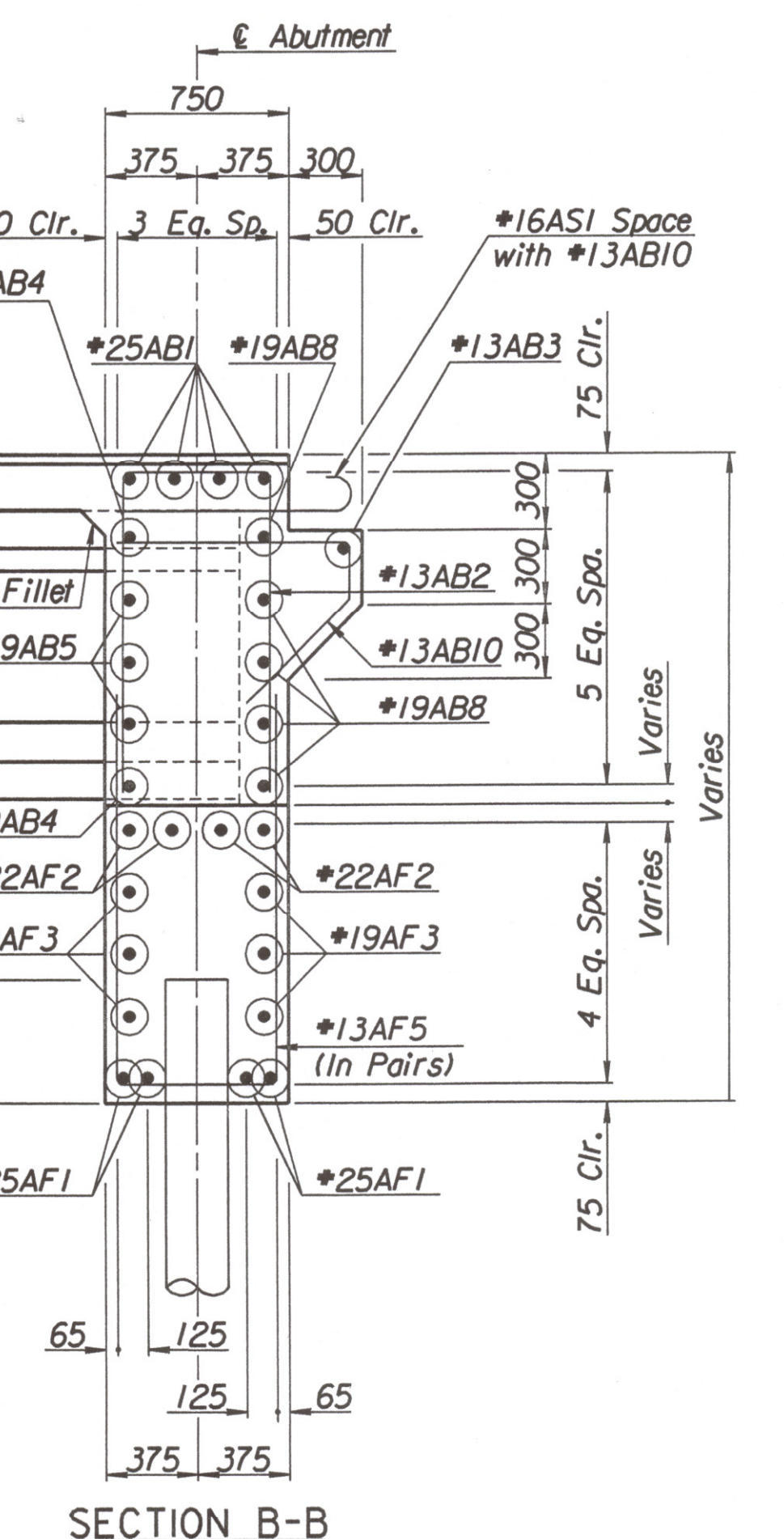


LEGEND:  
N.F. = Near Face  
F.F. = Far Face  
E.F. = Each Face

TABLE OF ELEVATIONS	
Location	Elevation
Abutment #1	
Elev. A	402.892
Elev. B	402.646
Elev. C	402.926
Elev. D	402.692
Elev. E	401.477
Elev. F	401.441
Elev. G	401.405
Elev. H	401.369
Elev. I	401.333
Elev. J	401.297
Elev. K	401.261
Elev. L	400.210
Elev. M	402.891
Elev. N	402.657
Elev. O	400.810



Abutment Pile Loadings (kN)		
Group I Loading	Actual	Allowable
	435	440

Revisions			
No.	By	Date	
CITY OF WICHITA			
BR. NO. 54-87-19.29 (492) F.E.B.		STA. 16+005.740	
WEST KELLOGG EASTBOUND FRONTAGE ROAD OVER COWSKIN CREEK			
ABUTMENT NO. 1 DETAILS			
SEDGWICK COUNTY			
Professional Engineering Consultants, P.A.			
303 S. TOPEKA • WICHITA, KANSAS 67202			
316-262-2691 • FAX 316-262-3003			
Designed by	RAS	Checked by	RAS
Drawn by	DRP	Date	Apr 11, 2002
		Job No.	97362

DSNR: RAS OPER. DRP SCALE: 1:100  
i:/1997/97362/001/BRIDGE/COWSKIN/EASTBOUND/ABUTMENTEBFR1.DGN 11-19-2001 6:40:37 LAST REV: 3-22-2002 BY: svb