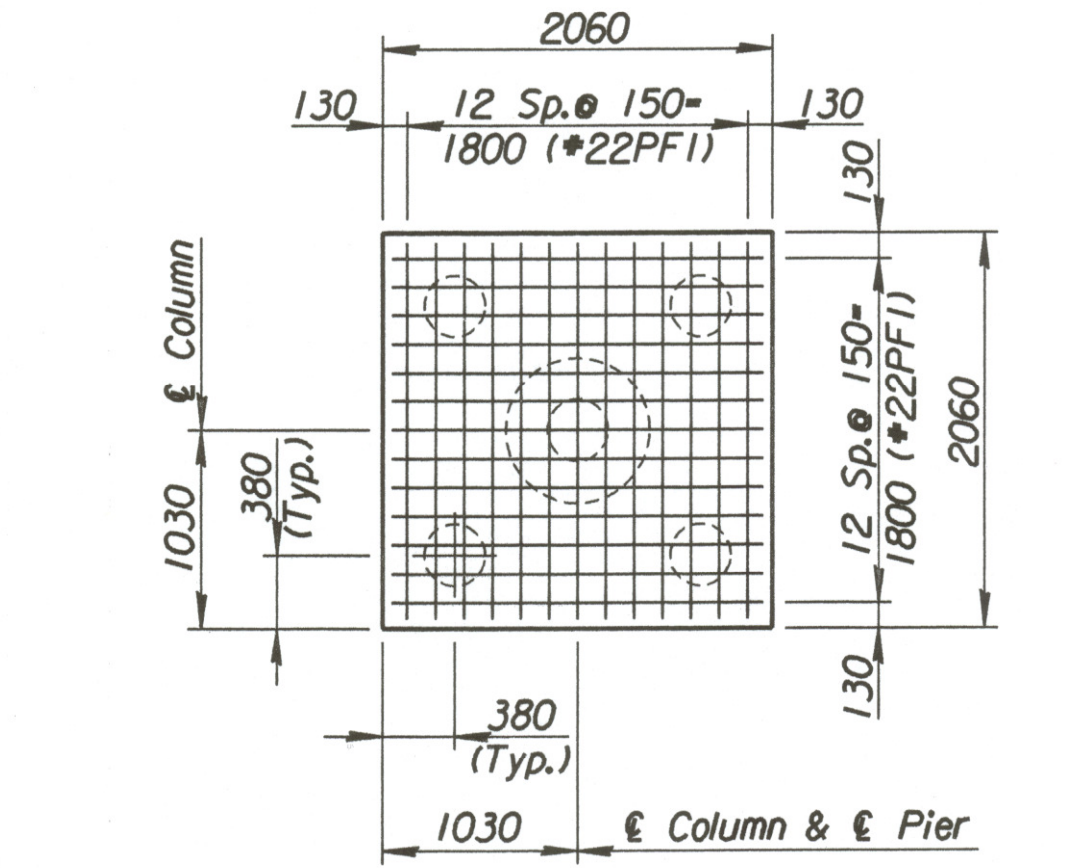
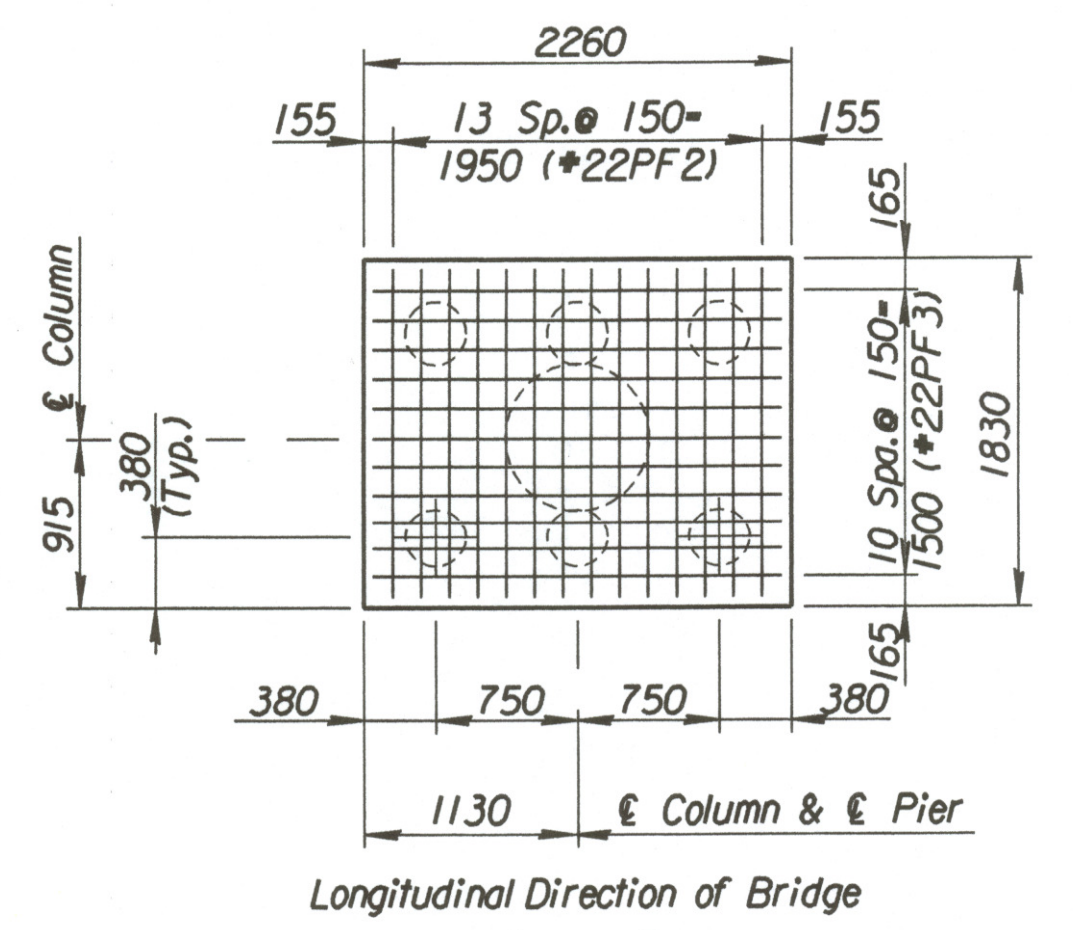
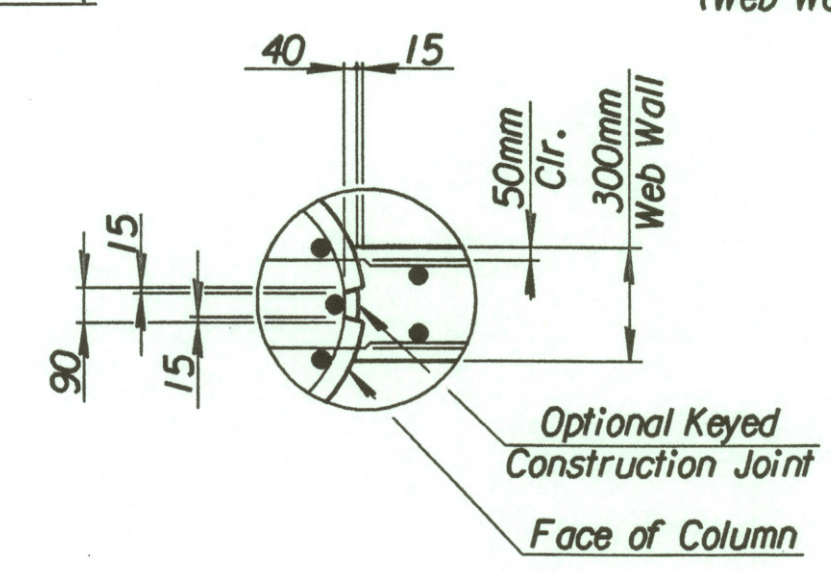
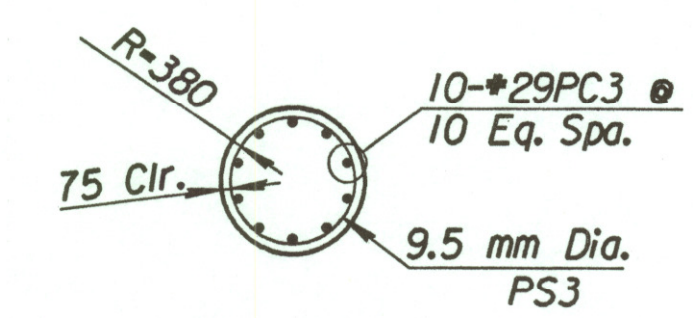
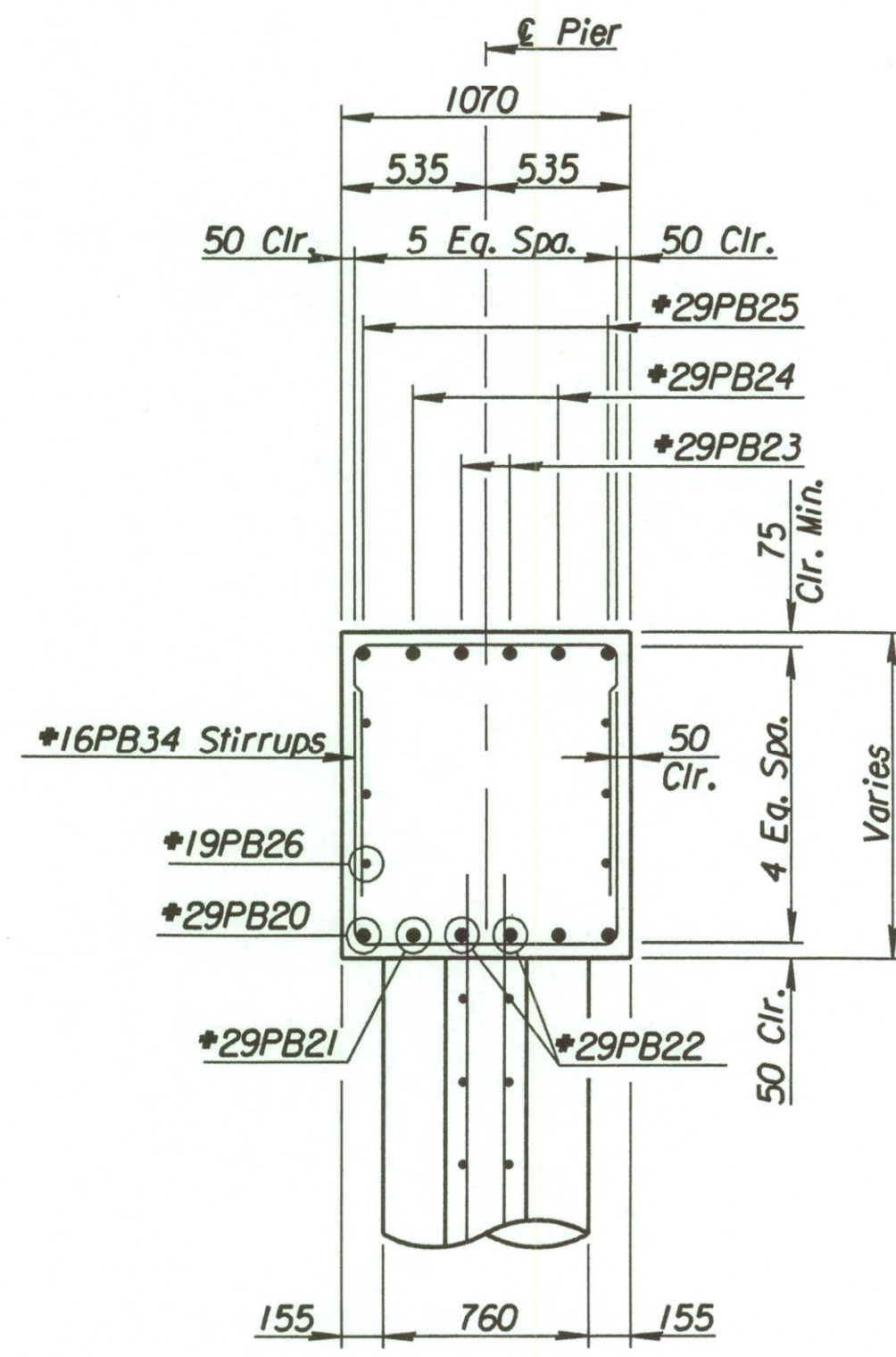
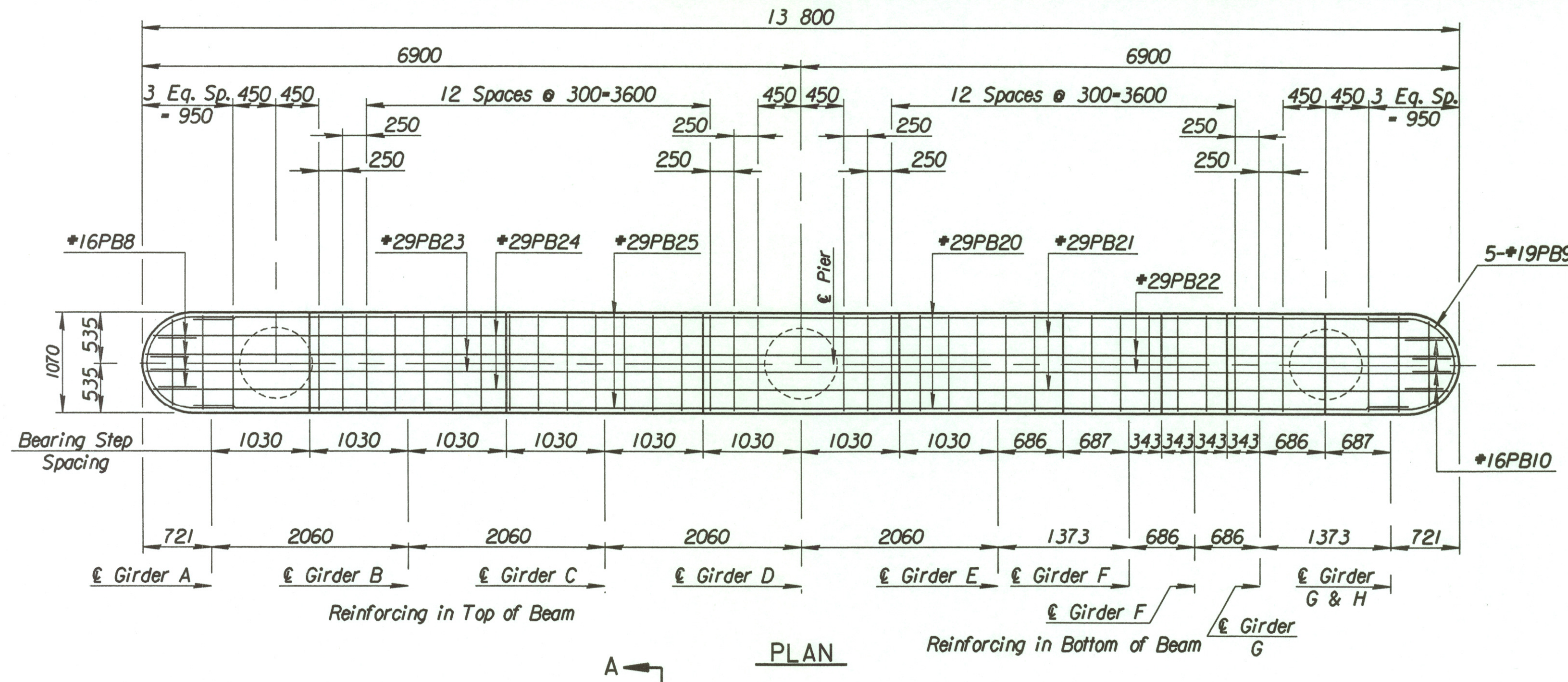
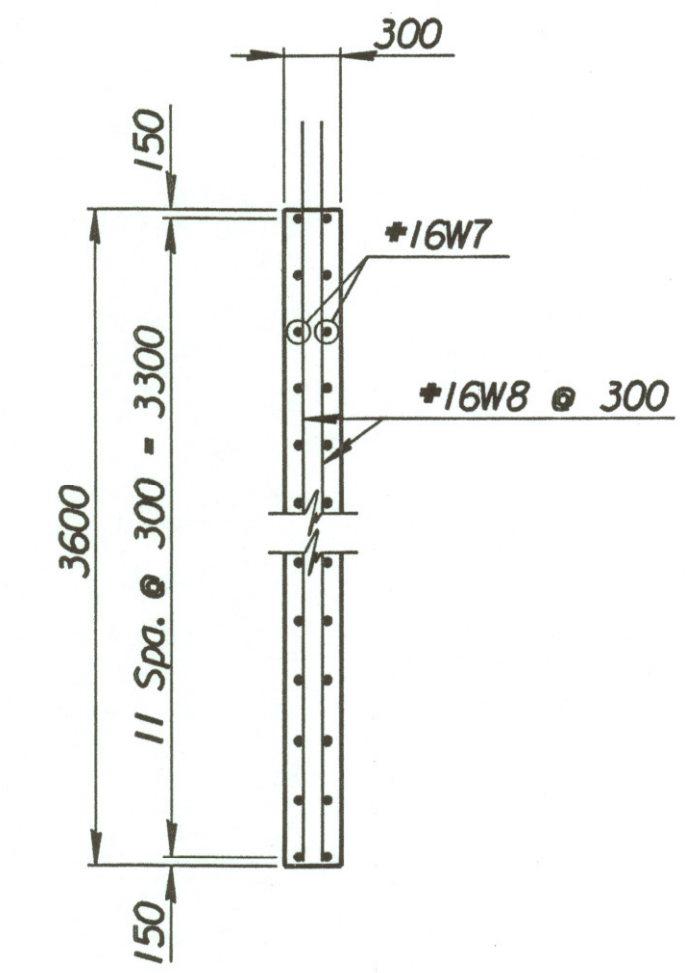
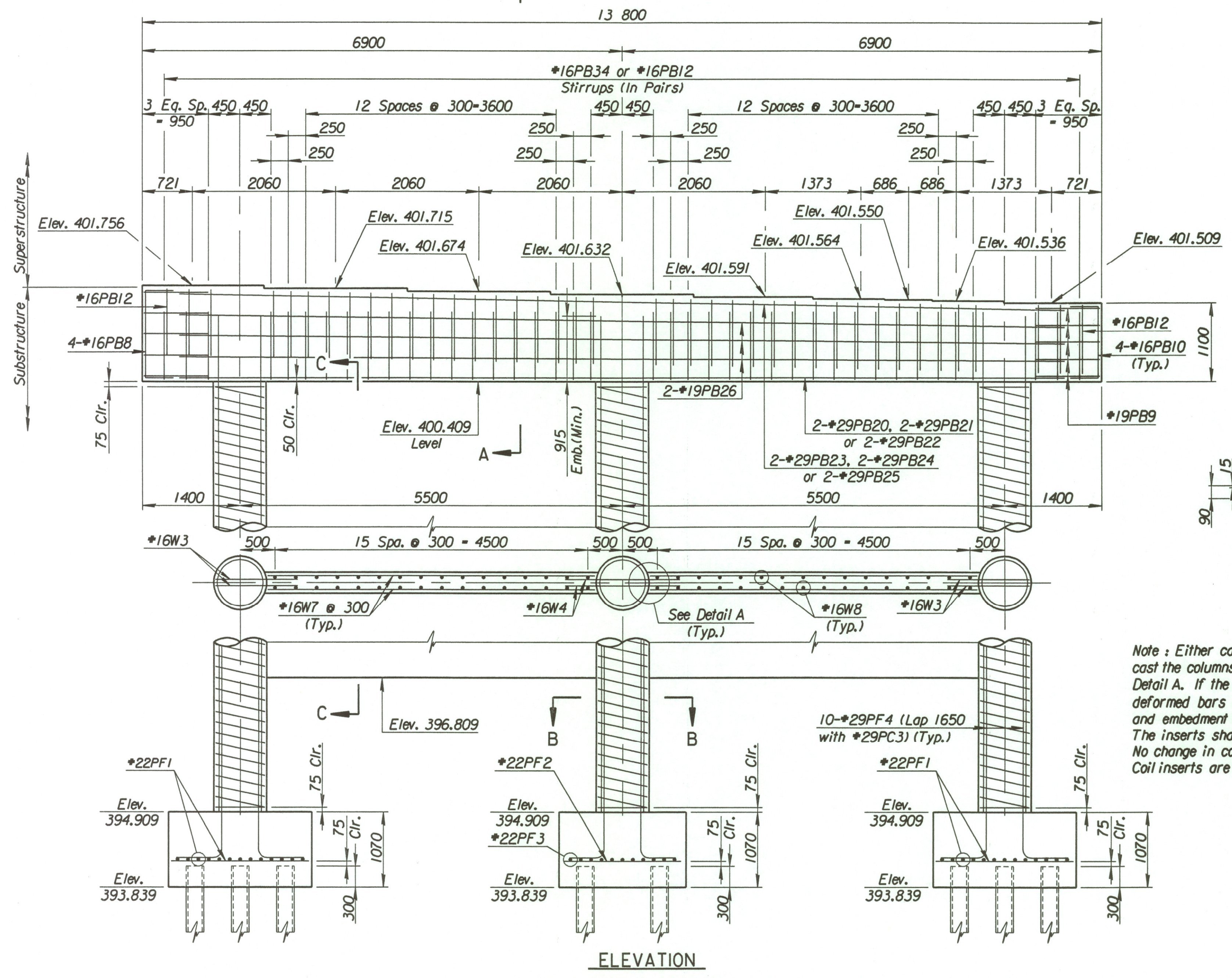


STATE	PROJECT NO.	YEAR	SHEET NO.	TOTAL SHEETS
KANSAS	54-87 K-6657-01	2002	541	1122



**Pier Pile Loading (kN)**

	Computed	Allowable
Group I Loading	436	440
Group III Loading	528	550
Group IV Loading	538	550
Group V Loading	469	616



Note: Either cast the columns and pier web monolithically or cast the columns separately using keyed joint as shown in Detail A. If the columns are cast separately, use threaded deformed bars in lieu of W3 & W4 dowel bars. Bar diameter and embedment length into the web wall shall be as designated. The inserts shall develop the full yield strength of the bars. No change in compensation is allowed with the use of inserts. Coil inserts are not allowed.

Note: See Diaphragm Detail Sheet for Number and Location of #19PB36 bars.

No.		Revisions	By	Date
CITY OF WICHITA BR. NO. 54-87-19.291492(F.E.B.) STA. 16+005.740 <b>PIER NO. 3 DETAILS</b> EAST BOUND FRONTAGE ROAD OVER COWSKIN CREEK SEDGWICK COUNTY				
<b>Professional Engineering Consultants, P.A.</b> 303 S. TOPEKA - WICHITA, KANSAS 67202 316-262-2691 • FAX 316-262-3003				
Designed by	R.W.A.	Checked by	R.A.S.	
Drawn by	GDR	Date	April, 2002	Job No. 97362