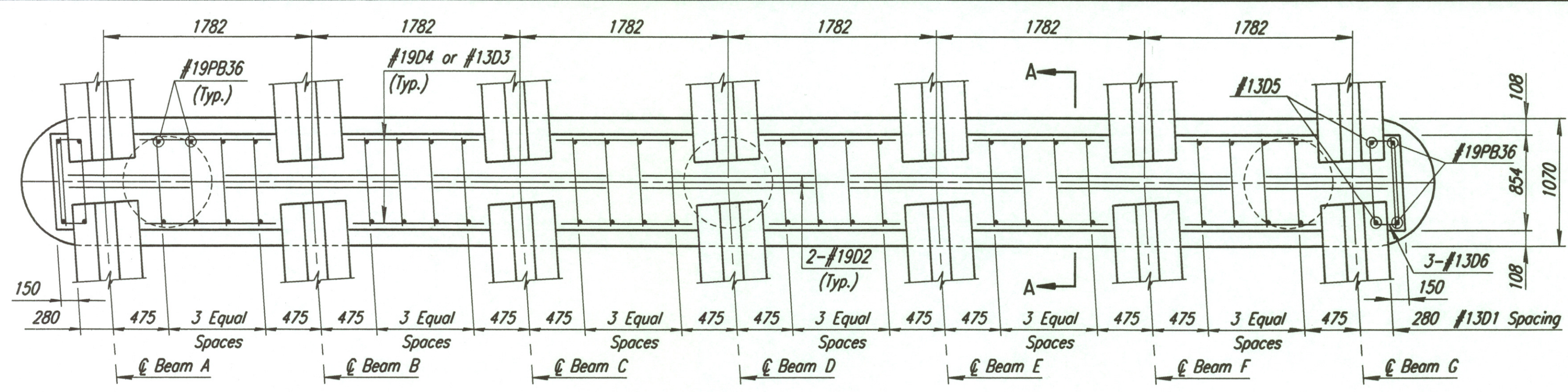
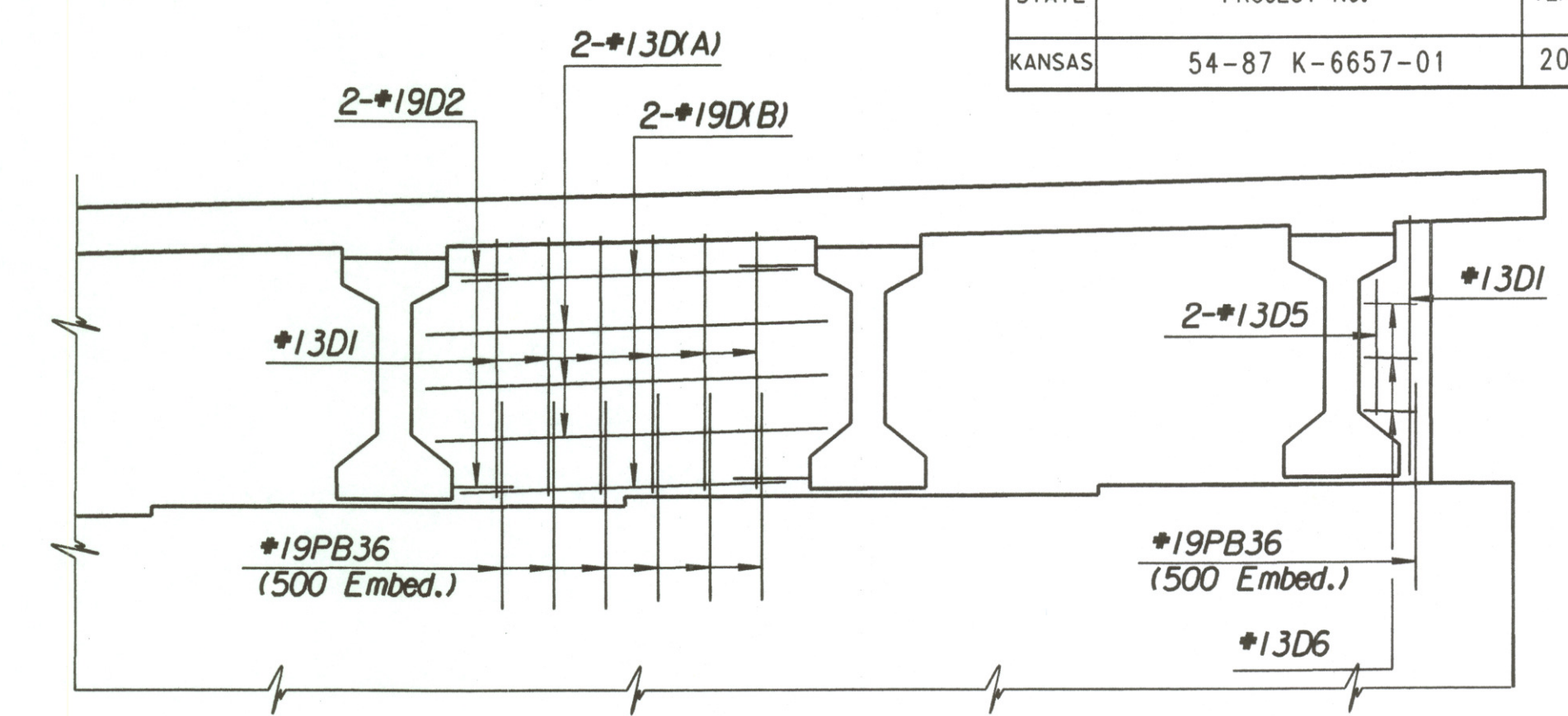


|        |                 |      |           |              |
|--------|-----------------|------|-----------|--------------|
| STATE  | PROJECT NO.     | YEAR | SHEET NO. | TOTAL SHEETS |
| KANSAS | 54-87 K-6657-01 | 2002 | 546       | 1122         |

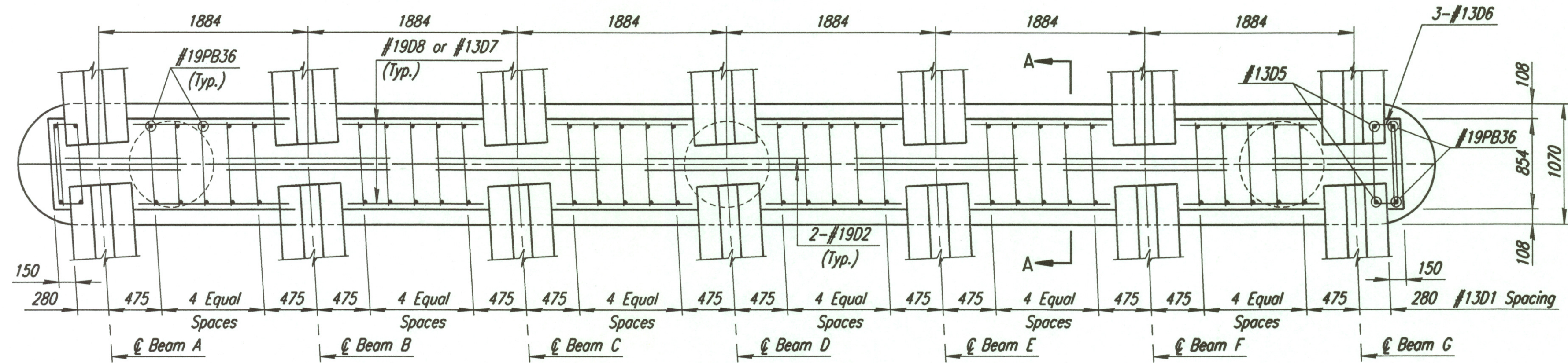


PLAN SECTION THRU PIER DIAPHRAGM  
PIER NO. 1

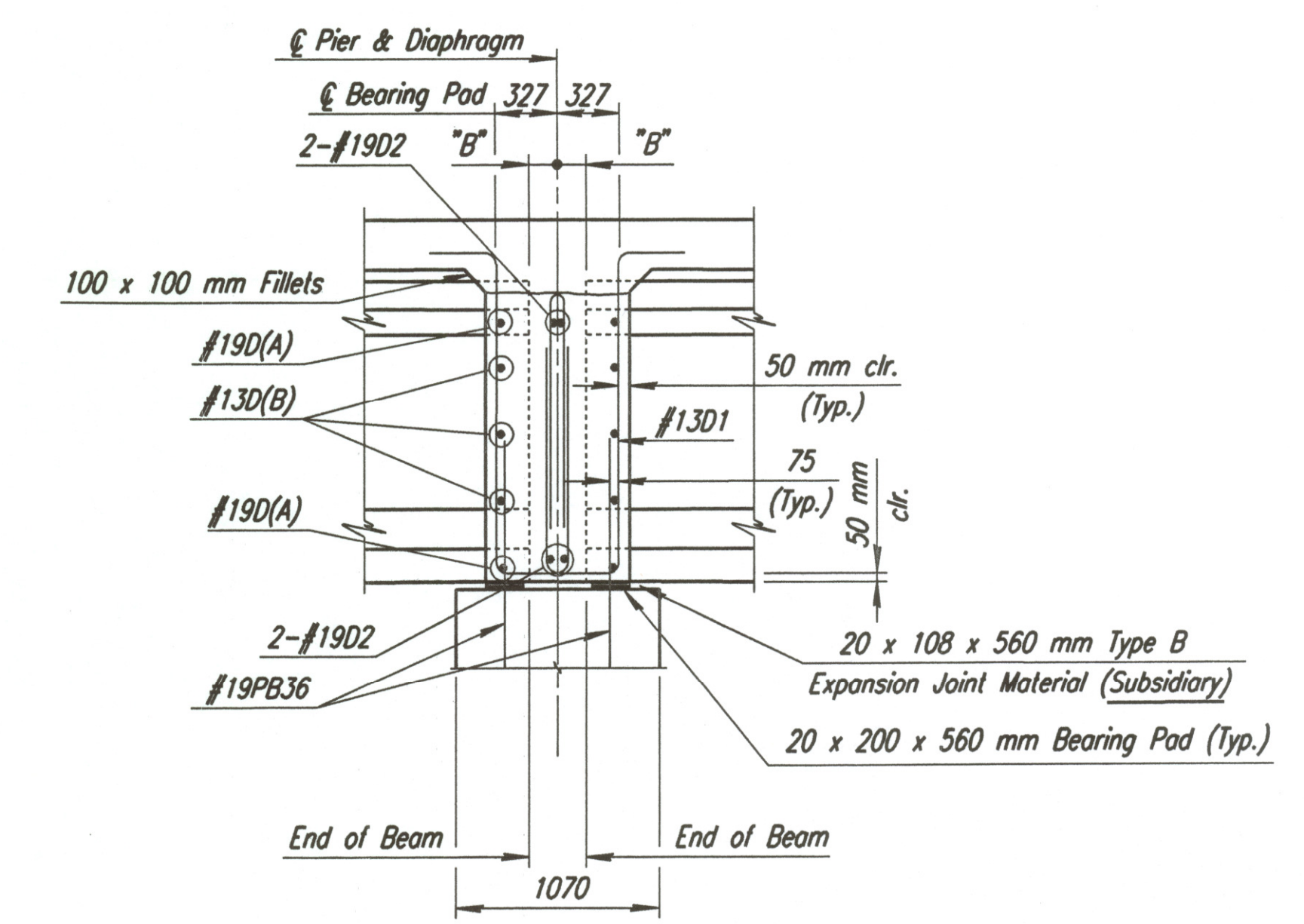


PIER DIAPHRAGM ELEVATION

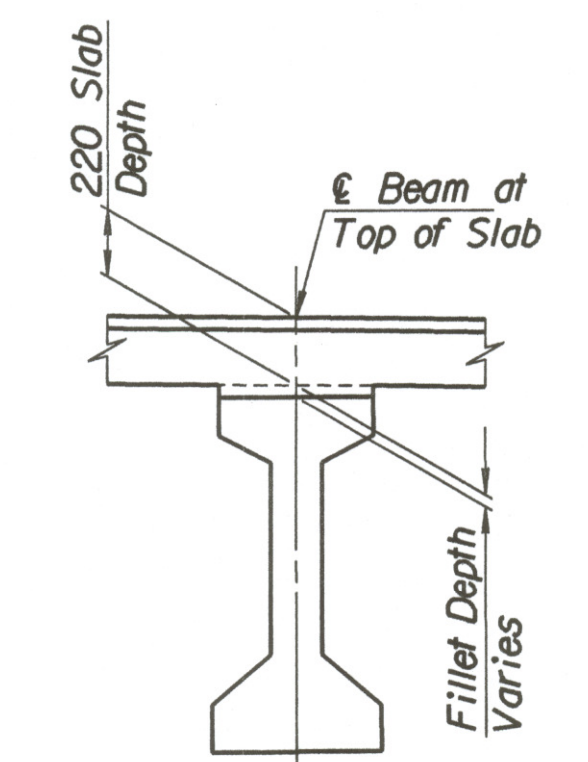
See Plan Sections for clarification of #13D(A) and #19D(B) bar callouts.



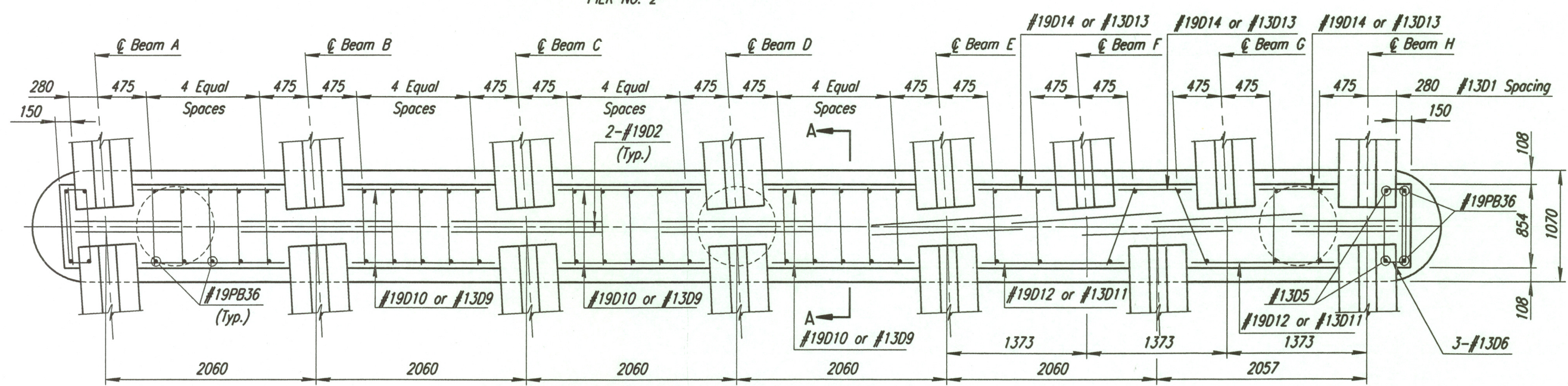
PLAN SECTION THRU PIER DIAPHRAGM  
PIER NO. 2



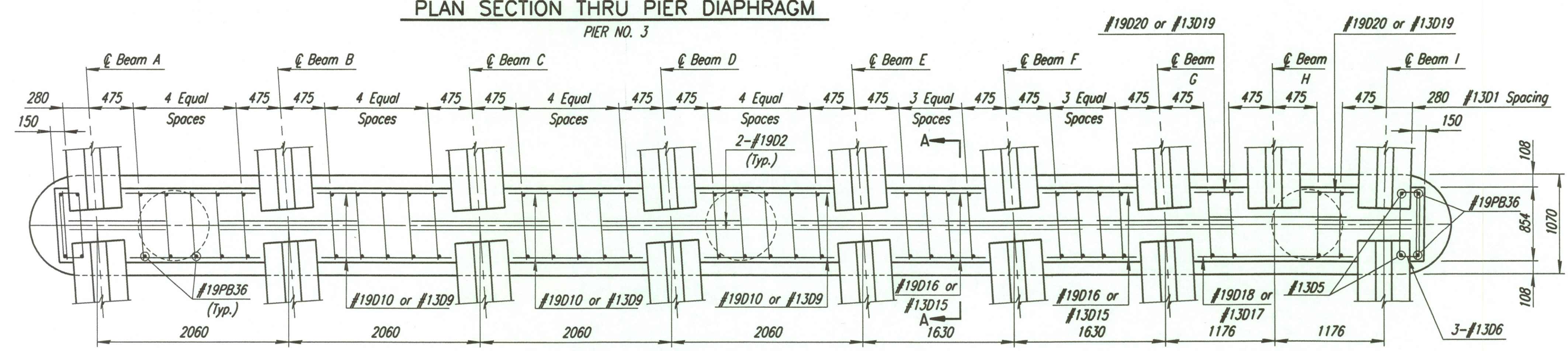
SECTION A-A



CONCRETE FILLET DETAIL



PLAN SECTION THRU PIER DIAPHRAGM  
PIER NO. 3



PLAN SECTION THRU PIER DIAPHRAGM  
PIER NO. 4

|   |           |            |             |
|---|-----------|------------|-------------|
| No.   | Revisions | By         | Date        |
| CITY OF WICHITA<br>BR. NO. 54-87-19.29(492) F.E.B. STA. 16+005.740  |           |            |             |
| <b>DIAPHRAGM DETAILS</b><br>EAST BOUND FRONTAGE ROAD<br>OVER COWSKIN CREEK<br>SEDGWICK COUNTY                                 |           |            |             |
| <b>Professional Engineering Consultants, P.A.</b><br>303 S. TOPEKA • WICHITA, KANSAS 67202<br>316-262-2691 • FAX 316-262-3003 |           |            |             |
| Designed by   | RAS       | Checked by | R.A.S.      |
| Drawn by  | GDR       | Date       | April, 2002 |
|   |           | Job No.    | 97362       |

Plotted by: svb 3-27-2002  
1z/1997/97362/001/bridge\_cowskin/eastbound/frtdiaphdgn