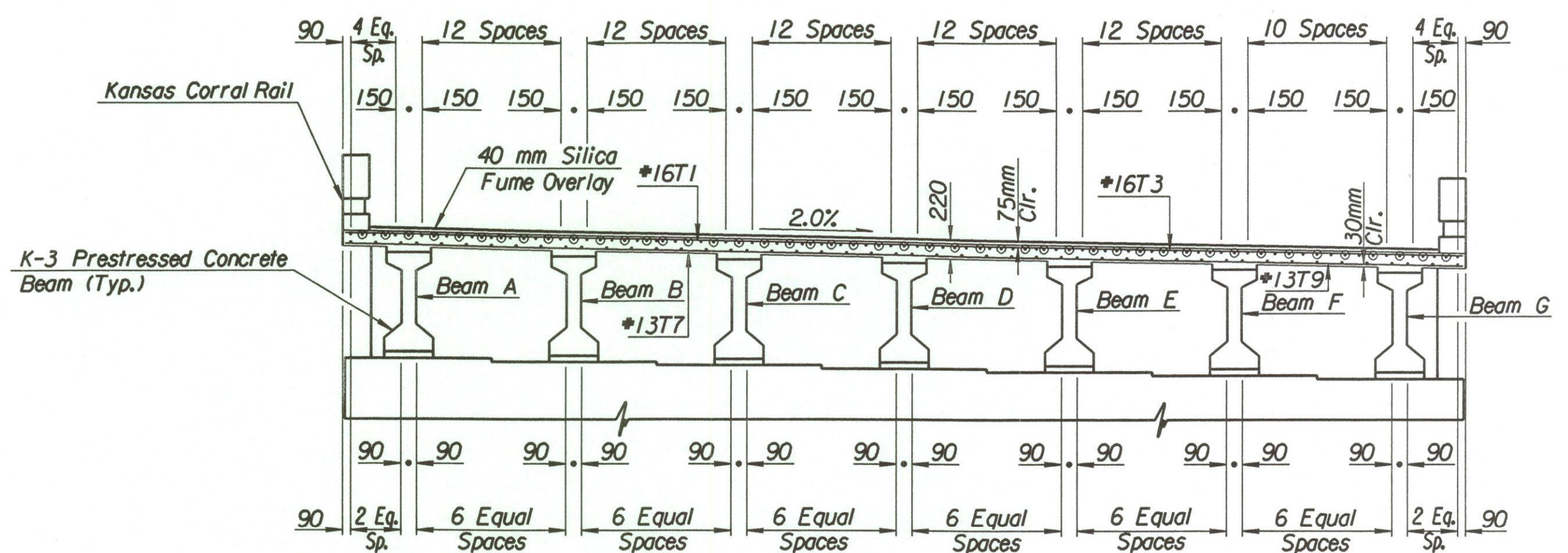
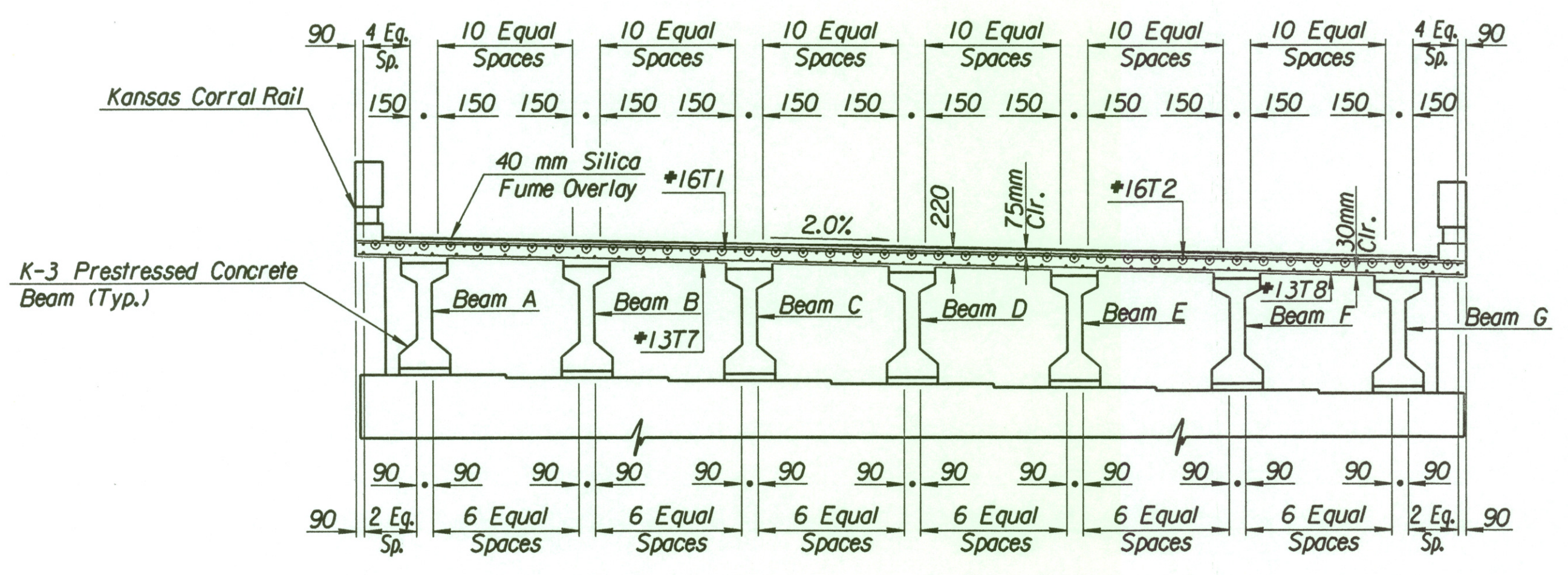


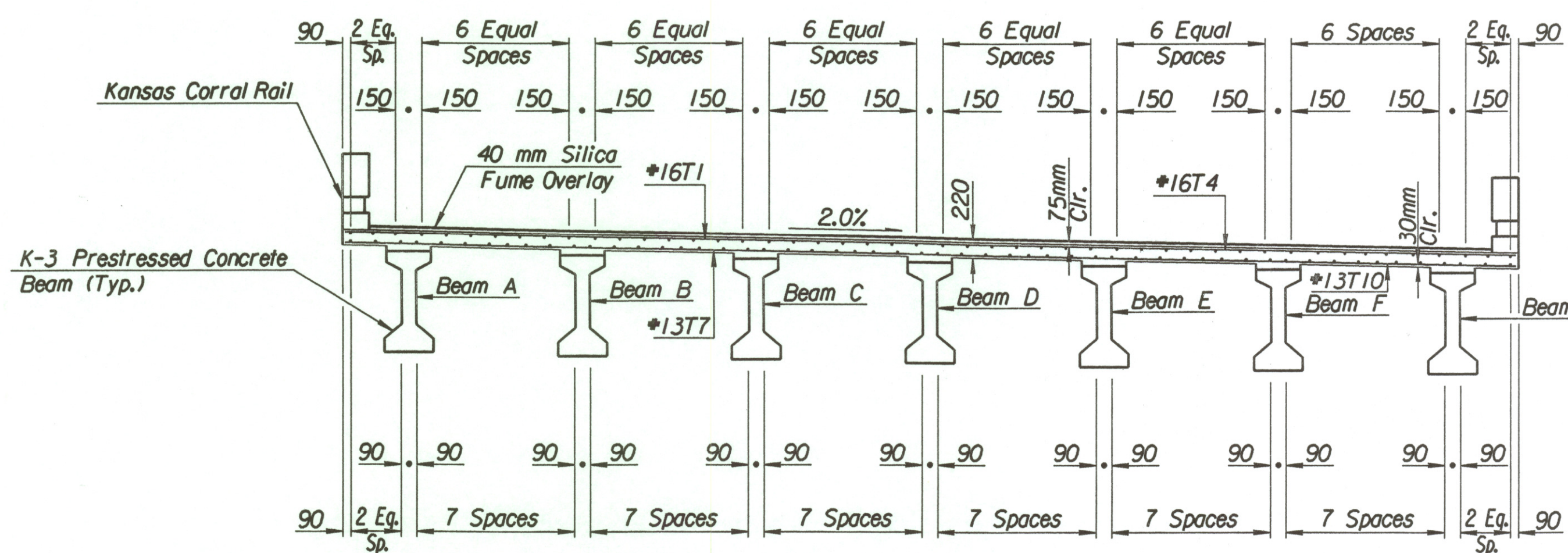
SECTION
(Center of Span 1)



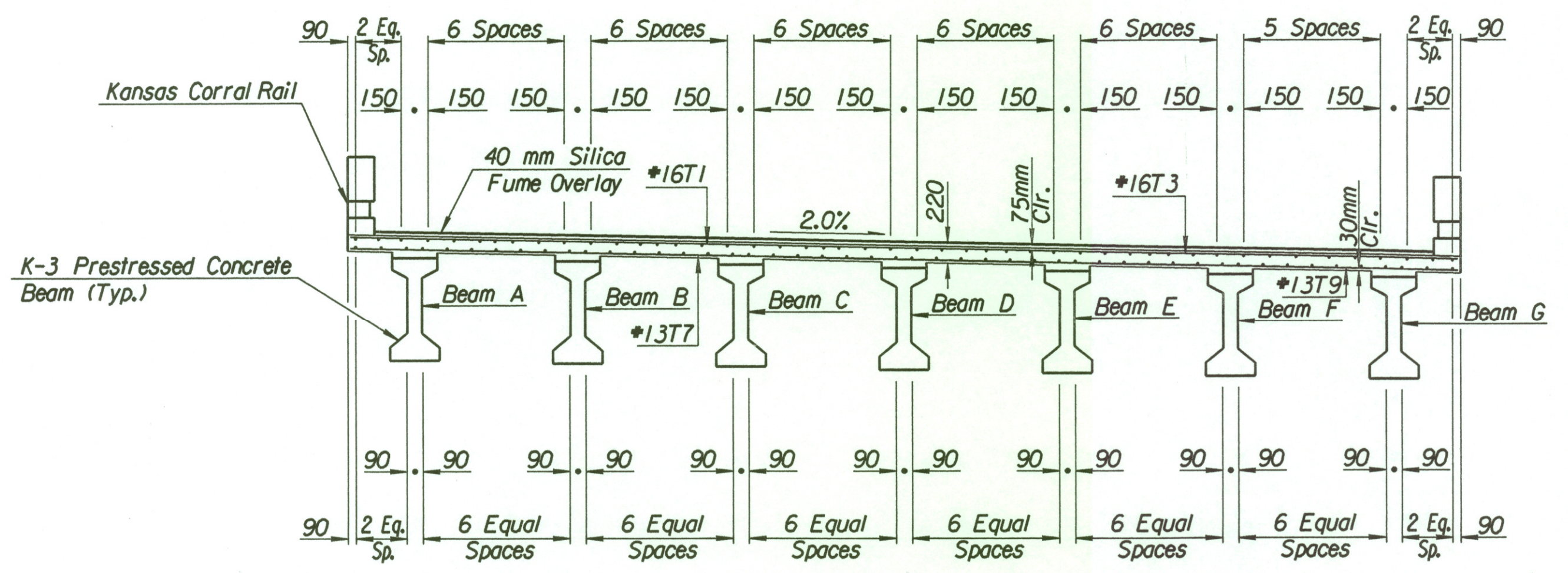
SECTION
(Near & Pier No. 2)



SECTION
(Near & of Pier 1)



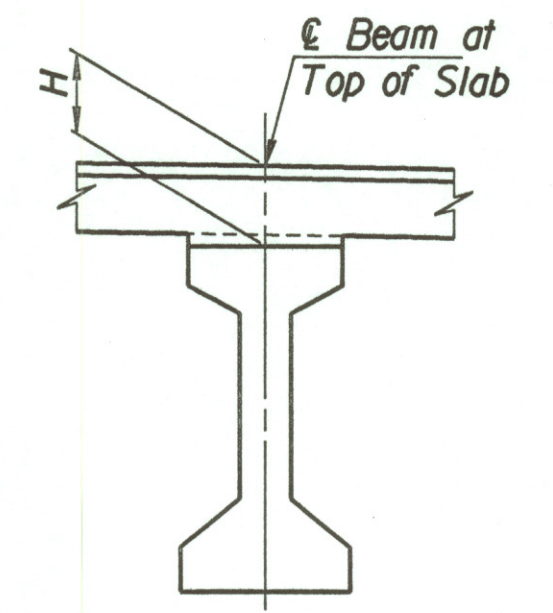
SECTION
(Center of Span 3)



SECTION
(Center of Span 2)

LEGEND:
S5 = ◯

Note:
All Dimensions are Perpendicular from & of Beam



H = 280 mm at & Abutments and Piers

CONCRETE FILLET DETAIL

Revisions		By	Date
CITY OF WICHITA			
BR. NO. 54-87-19.29(492) F.E.B.		STA. 16+005.740	
TYPICAL SECTIONS			
EAST BOUND FRONTAGE ROAD			
OVER COWSKIN CREEK			
SEDGWICK COUNTY			
Professional Engineering Consultants, P.A.			
303 S. TOPEKA • WICHITA, KANSAS 67202			
316-262-2691 • FAX 316-262-3003			
Designed by	RAS	Checked by	RAS
Drawn by	DRP	Date	Apr 11, 2002
		Job No.	97362

DSNR: RAS OPER: DRP SCALE: 1/1997/97362/001/BRIDGE/COWSKIN/EASTBOUND/TYPSECR.DGN 12-19-2001 13:26:07 LAST REV: 3-27-2002 BY: svb