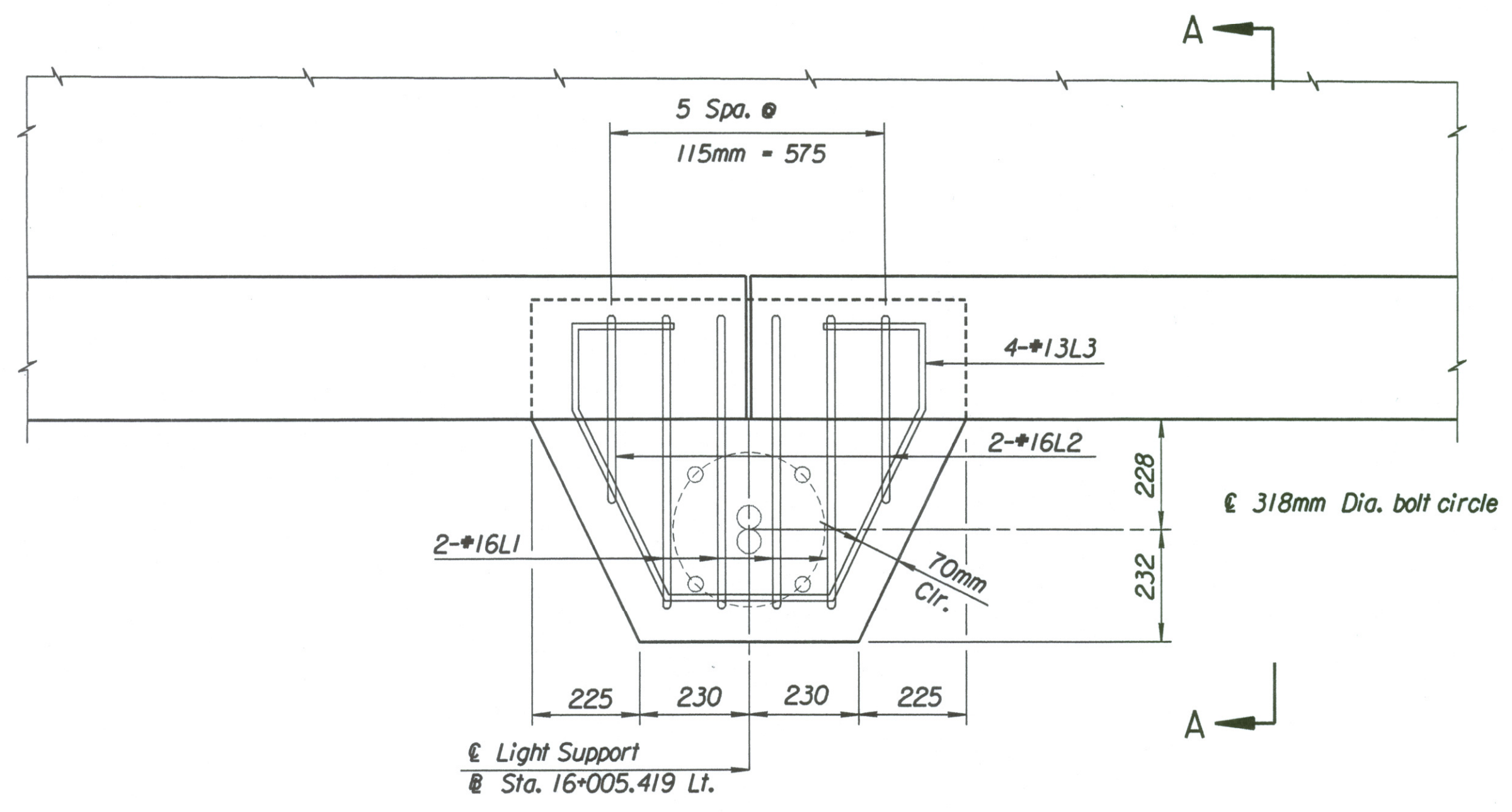
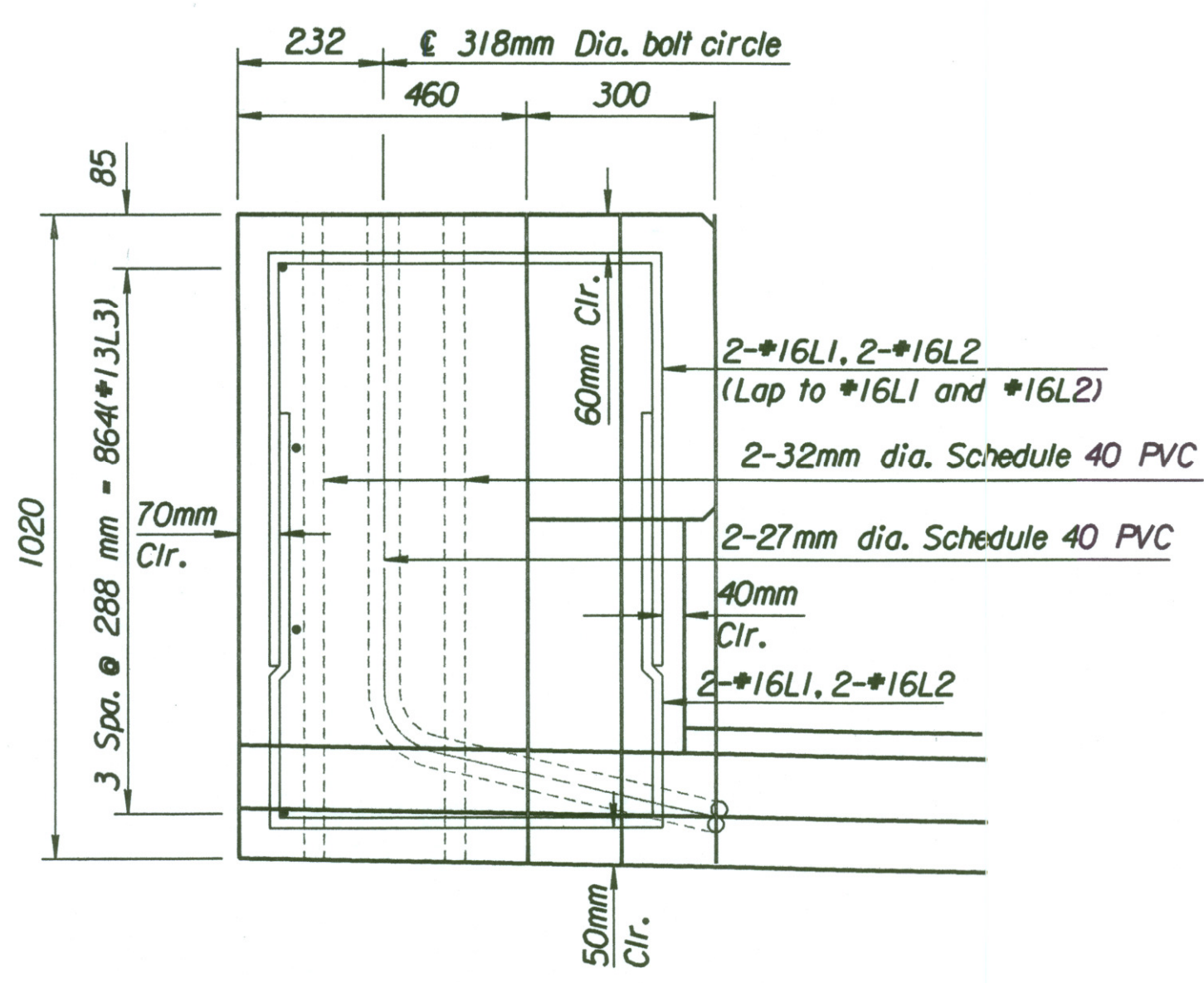


STATE	PROJECT NO.	YEAR	SHEET NO.	TOTAL SHEETS
KANSAS	54-87 K-6657-01	2002	560	1122



PLAN



(Reinforcing Steel in Barrier not shown)

SECTION A-A

Note: 1-27mm dia. PVC for conductor use
 1-27mm dia. PVC for ground use
 See Lighting Details for location.

Drawn by: ras
 Plotted by: svb 3-27-2002
 I:\1997\97362\001\bridge\cowskin\eastbound\lightfeb.dgn

No.	Revisions	By	Date
CITY OF WICHITA BR. NO. 54-87-19.29 (492) F.E.B. STA. 16+005.740			
MISCELLANEOUS RAIL DETAIL KELLOGG (US-54) OVER COWSKIN CREEK SEDGWICK COUNTY			
Professional Engineering Consultants, P.A. 303 S. TOPEKA • WICHITA, KANSAS 67202 316-262-2691 • FAX 316-262-3003			
Designed by	RAS	Checked by	RAS
Drawn by	BJS	Date	April, 2002 Job No. 97362