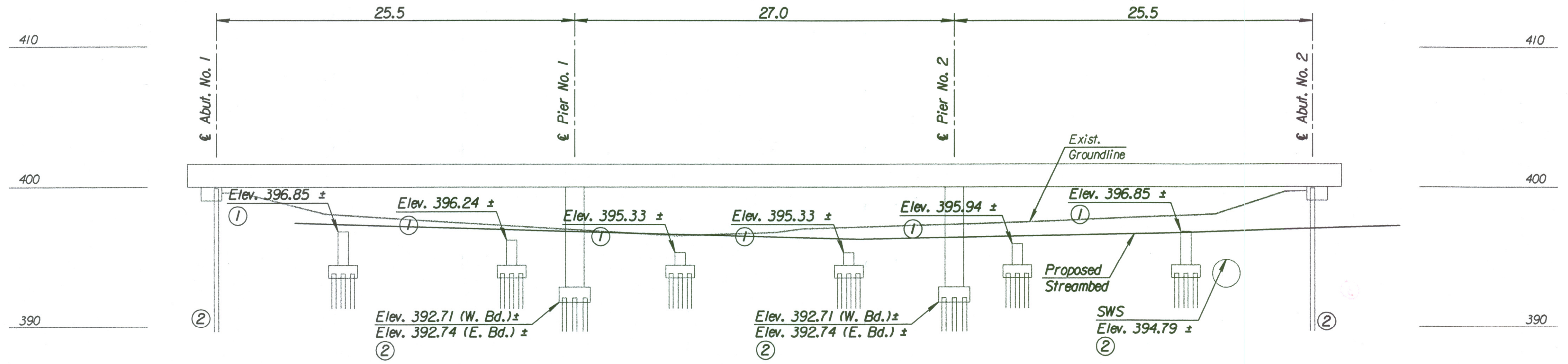


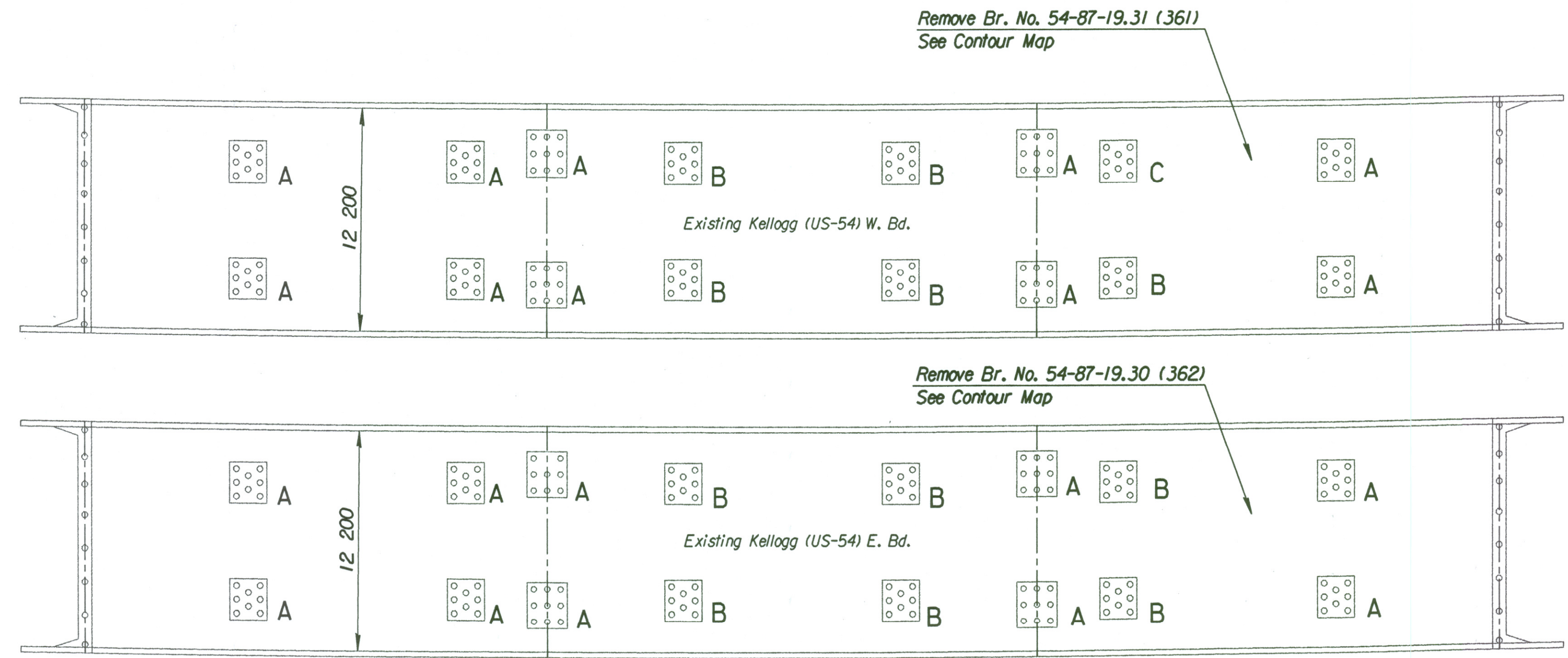
STATE	PROJECT NO.	YEAR	SHEET NO.	TOTAL SHEETS
KANSAS	54-87 K-6657-01	2002	564	1122



TYPICAL EXISTING KELLOGG BRIDGE OVER COWSKIN CREEK

- LEGEND**
- ① 1952 Substructure (Not Removed)
 - ② 1990 Bridge (Existing)

Note: 1990 Bridge is required to be removed as per this project. 1952 substructure is shown for information only and will also be required to be removed only if it is in conflict with the proposed bridge construction.



PLAN OF EXISTING BRIDGES

19.31 (361)

QUANTITIES FOR EXISTING BRIDGE *	
LOCATION	QUANTITY
Abutment #1	14 Cu. m.
Pier #1 (Above Footing)	18 Cu. m.
Pier #2 (Above Footing)	18 Cu. m.
Abutment #2	14 Cu. m.
Superstructure	283 Cu. m.
Prestress Beams	462 m

19.30 (362)

QUANTITIES FOR EXISTING BRIDGE *	
LOCATION	QUANTITY
Abutment #1	14 Cu. m.
Pier #1 (Above Footing)	18 Cu. m.
Pier #2 (Above Footing)	18 Cu. m.
Abutment #2	14 Cu. m.
Superstructure	283 Cu. m.
Prestress Beams	462 m

* Listed for Information Only
Quantities shown are approximate.

REMOVAL OF EXISTING STRUCTURE: THE CONTRACTOR SHALL REMOVE THE EXISTING STRUCTURE AS A MINIMUM IN ACCORDANCE WITH THE STANDARD SPECIFICATIONS FOR STATE ROAD AND BRIDGE CONSTRUCTION. CONCRETE AND REINFORCEMENT FROM THE REMOVAL OF THE EXISTING BRIDGE SHALL BE REMOVED FROM THE SITE AND DISPOSED OF AT A LOCATION APPROVED BY THE ENGINEER.

PLANS FOR THE EXISTING STRUCTURE ARE ON FILE IN THE K.D.O.T. BUREAU OF DESIGN STATE BRIDGE OFFICE AND ARE AVAILABLE FOR INSPECTION BY QUALIFIED BIDDERS.

- A: REMOVE TO A MINIMUM OF 600 mm BELOW STREAMBED.
- B: REMOVE TO TOP OF EXISTING FOOTING.
- C: TOTAL REMOVAL INCLUDING PILING REQUIRED.

Note: Removal of Existing Bridges are included in the bid item "Removal of Existing Structures."

No.	Revisions	By	Date
CITY OF WICHITA BR. NO. 54-87-19.31 (361) W.B. & BR. NO. 54-87-19.30 (362) E.B.			
REMOVAL PLAN WEST & EAST BOUND KELLOGG (US-54) OVER COWSKIN CREEK SEDGWICK COUNTY			
Professional Engineering Consultants, P.A. 303 S. TOPEKA • WICHITA, KANSAS 67202 316-262-2691 • FAX 316-262-3003			
Designed by	RAS	Checked by	RAS
Drawn by	DRP	Date	April, 2002
		Job No.	97362

DSNR: RAS OPER: DRP SCALE: 1:200
4/1997/97362/001/BRIDGE/COWSKIN/REMOVAL.DGN 10-30-2001 10:45:16 LAST REV: 3-27-2002 BY: svb