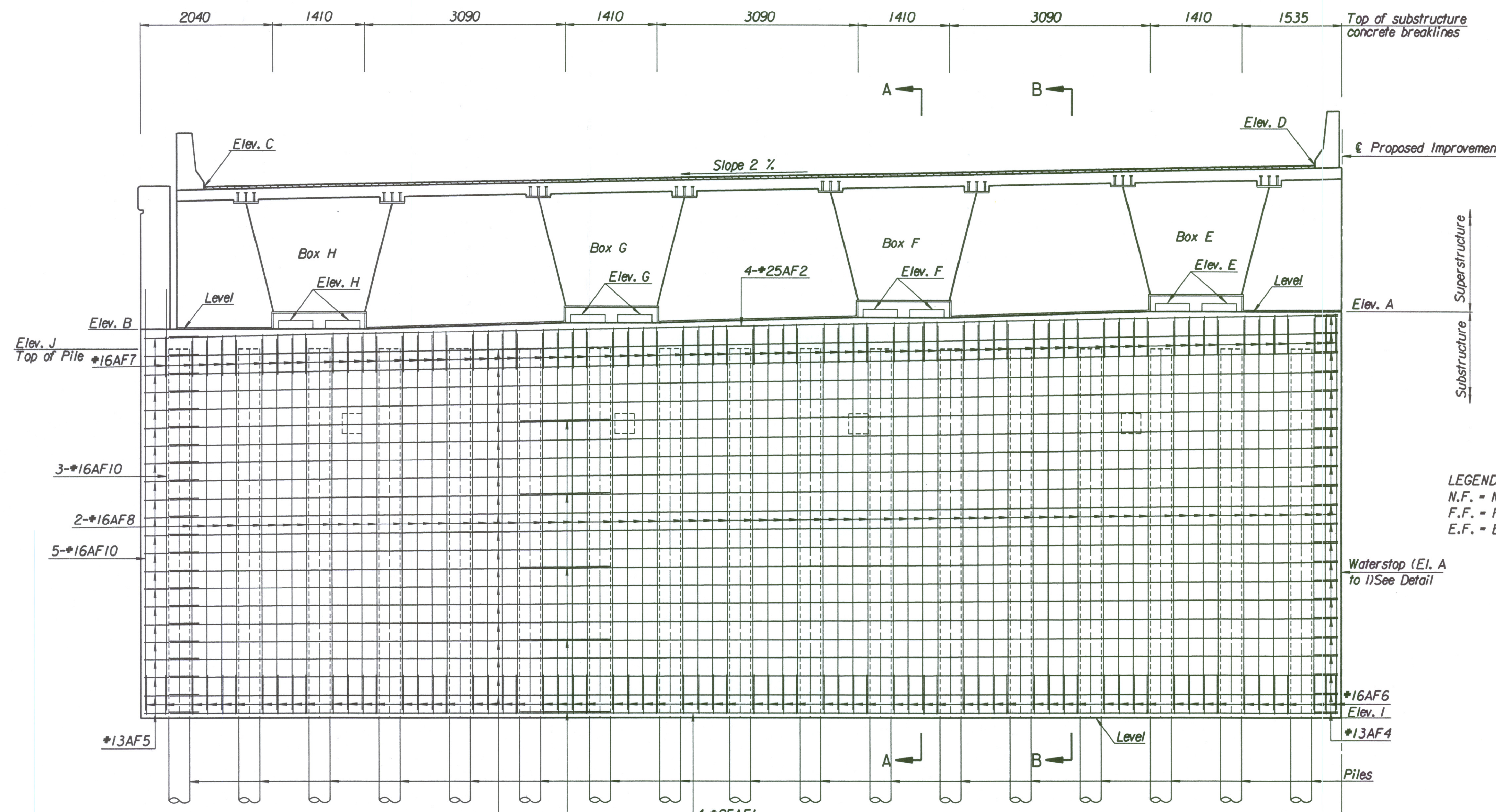
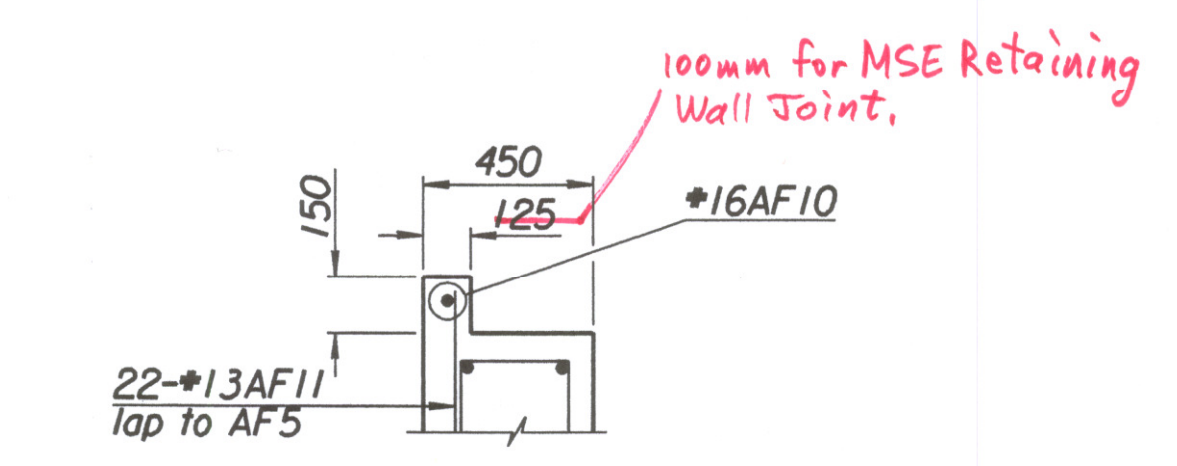
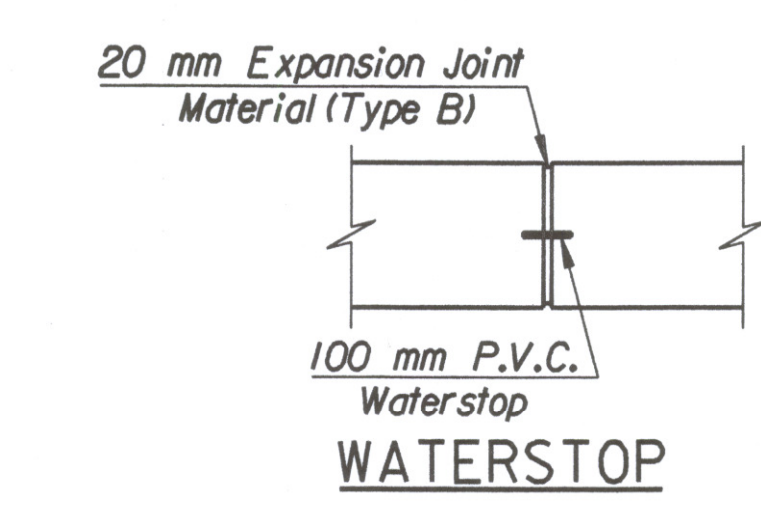


STATE	PROJECT NO.	YEAR	SHEET NO.	TOTAL SHEETS
KANSAS	54-87 K-6657-01	2002	575	1122



LEGEND:
 N.F. = Near Face
 F.F. = Far Face
 E.F. = Each Face



PARTIAL PLAN

This detail complies with the Alt. No. 2.
 NOTE: For Alt. No. 1 detail see plan this sheet.
 Additional reinforcing required for Alt. No. 2 bid is 1-#16AF10 and 22-#13AF11. Additional concrete and reinforcing are considered subsidiary.

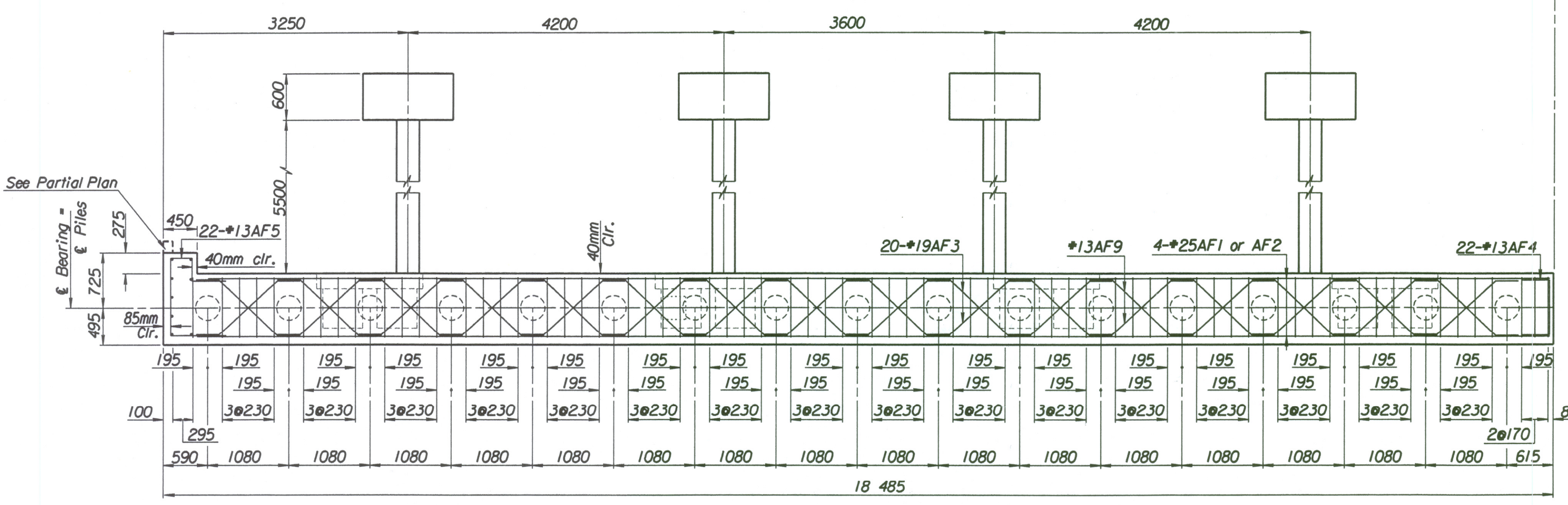
ELEVATION
 Abutment No. 1 shown looking backstation
 Abutment No. 2 similar mirrored about & Brg.

Location	Abut. #1 Elevation	Abut. #2 Elevation
Elev. A	410.135	410.101
Elev. B	409.865	409.831
Elev. C	412.063	412.029
Elev. D	412.405	412.371
Elev. E	410.261	410.227
Elev. F	410.171	410.137
Elev. G	410.081	410.047
Elev. H	409.991	409.957
Elev. I	403.930	403.896
Elev. J	409.565	409.531

410.217
 410.127
 410.037
 409.947

410.183
 410.093
 410.003
 409.913

Group / Loading	Actual	Allowable
Group 1 Loading	420	440



PLAN

Drawn By: ras
 Plotted By: drp 4-10-2002
 I:/1997/07362/001/bridge/tylernd/abut1eb.dgn

No.	Revisions	By	Date
CITY OF WICHITA			
BR. NO. 54-87-20.1(2497) E.B.		STA. 17+332.607	
KELLOGG OVER TYLER ROAD ABUTMENT DETAILS			
SEDGWICK COUNTY			
Professional Engineering Consultants, P.A.			
303 S. TOPEKA - WICHITA, KANSAS 67202 316-262-2691 • FAX 316-262-3003			
Designed by	RAS	Checked by	RAS
Drawn by	RAS	Date	April, 2002
		Job No.	97362