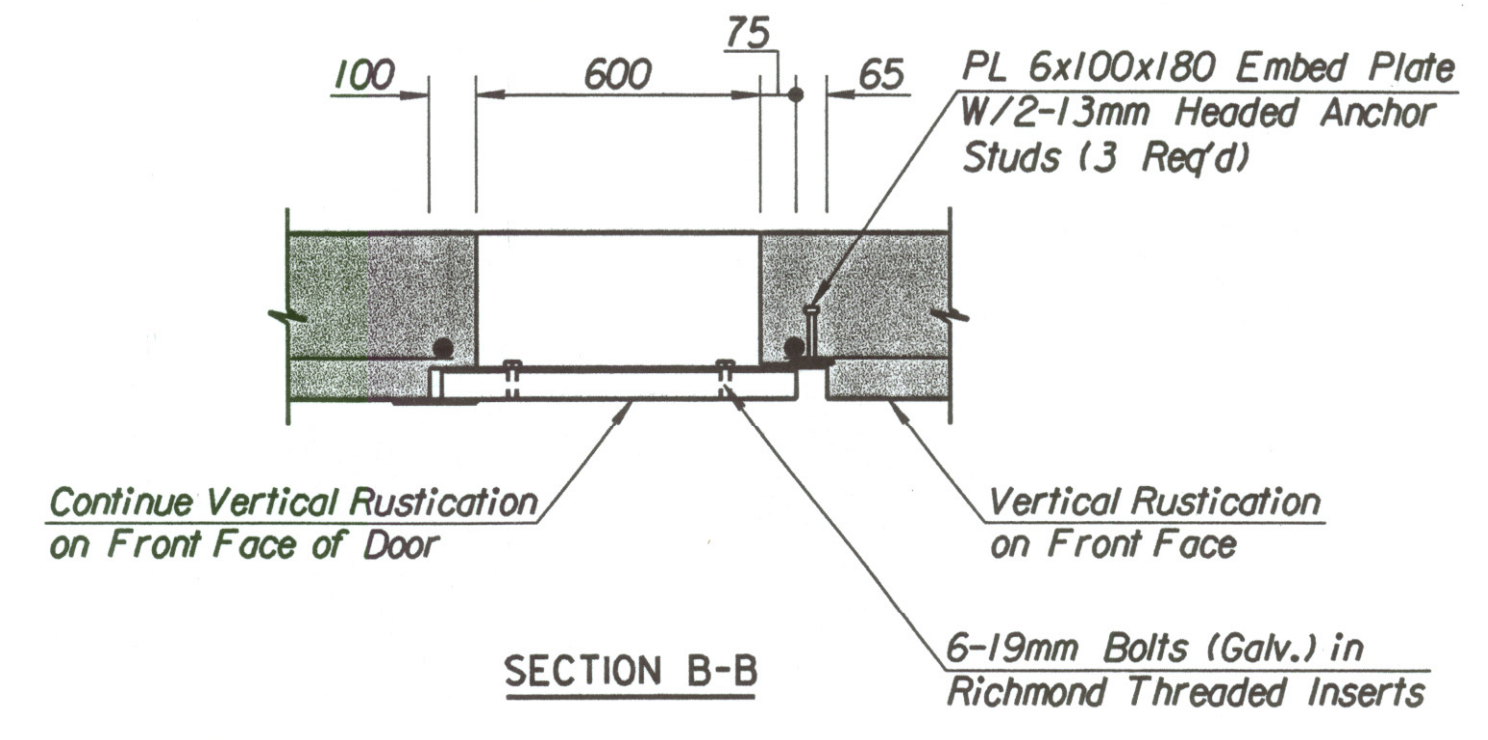
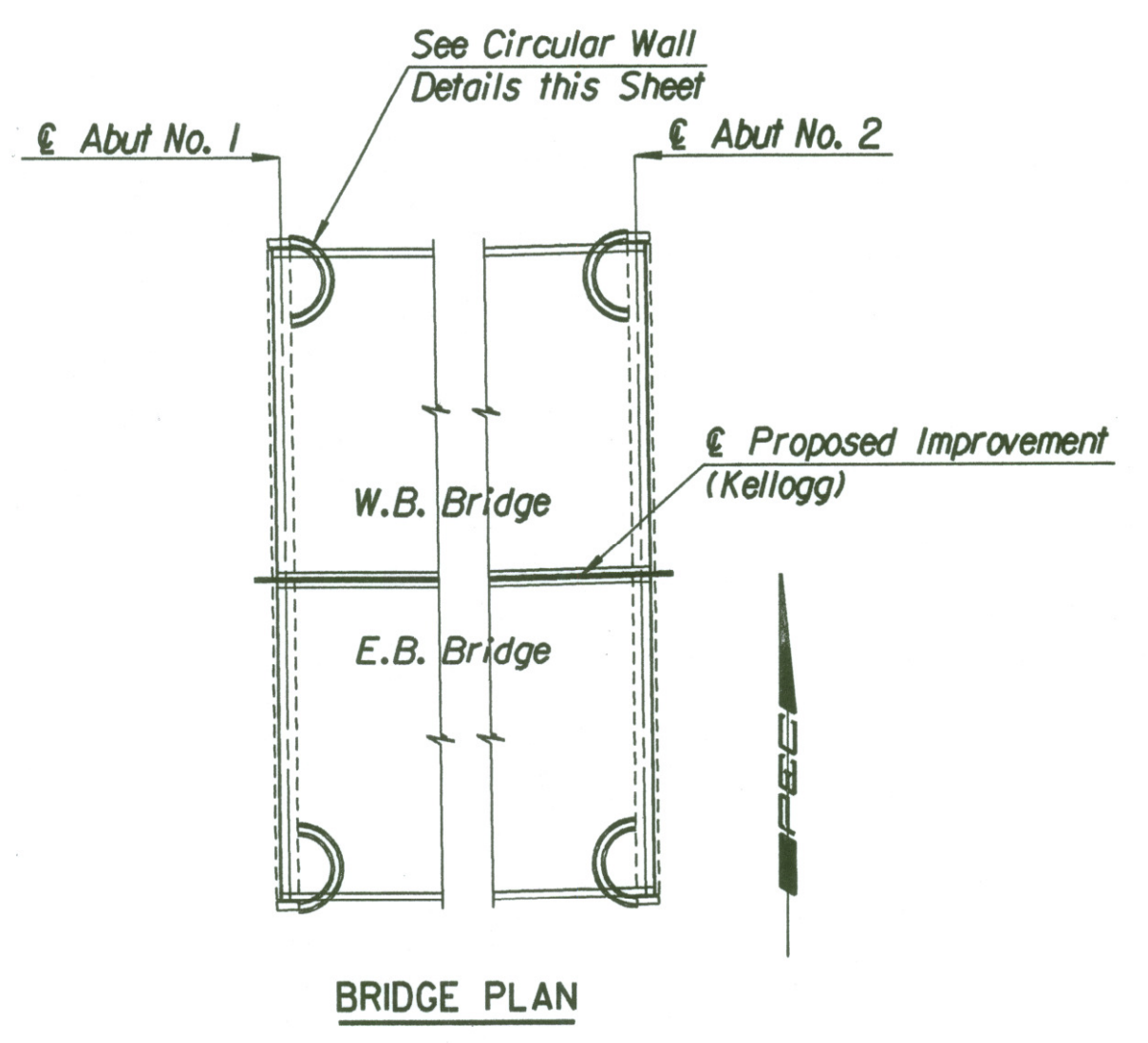
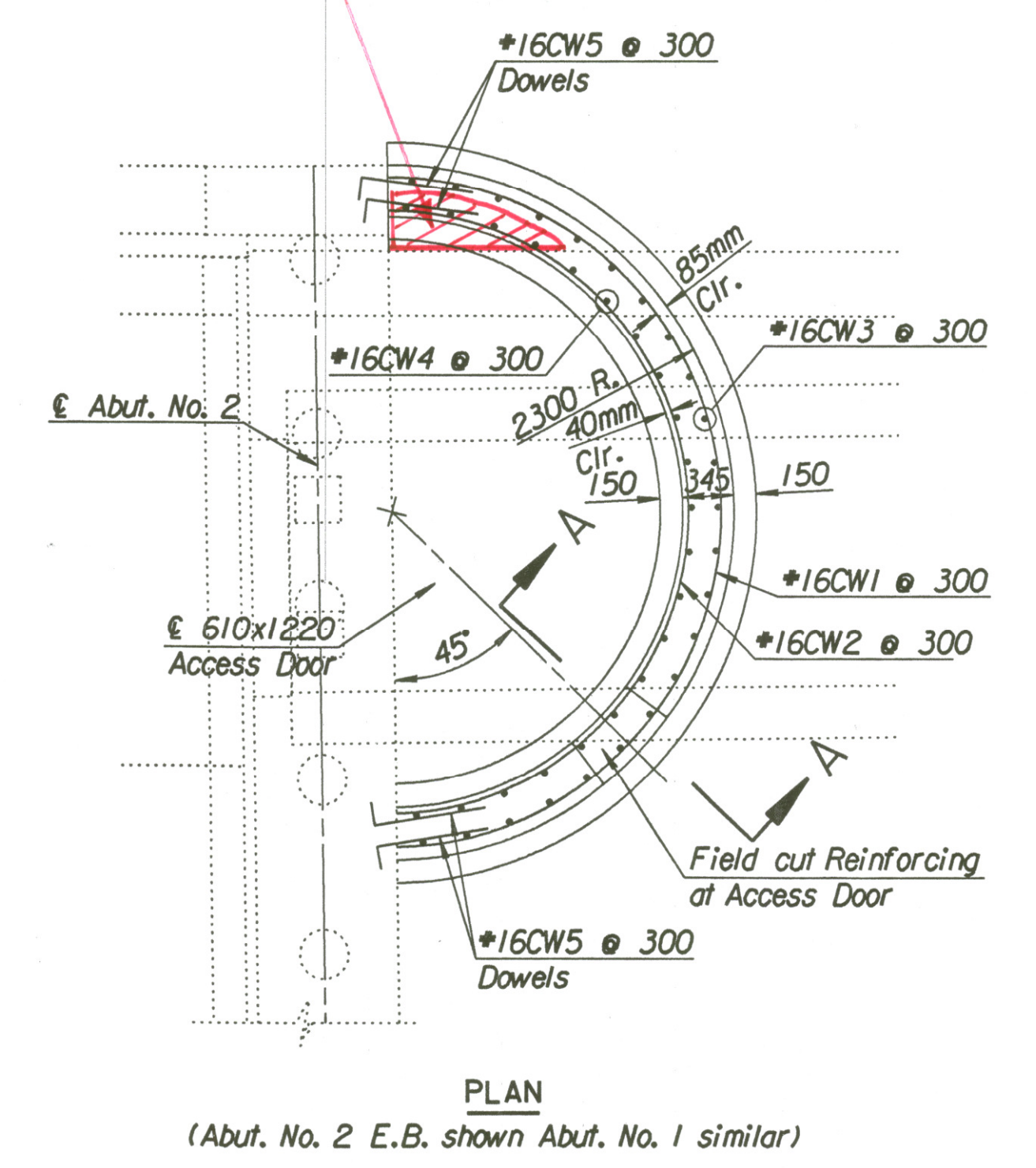
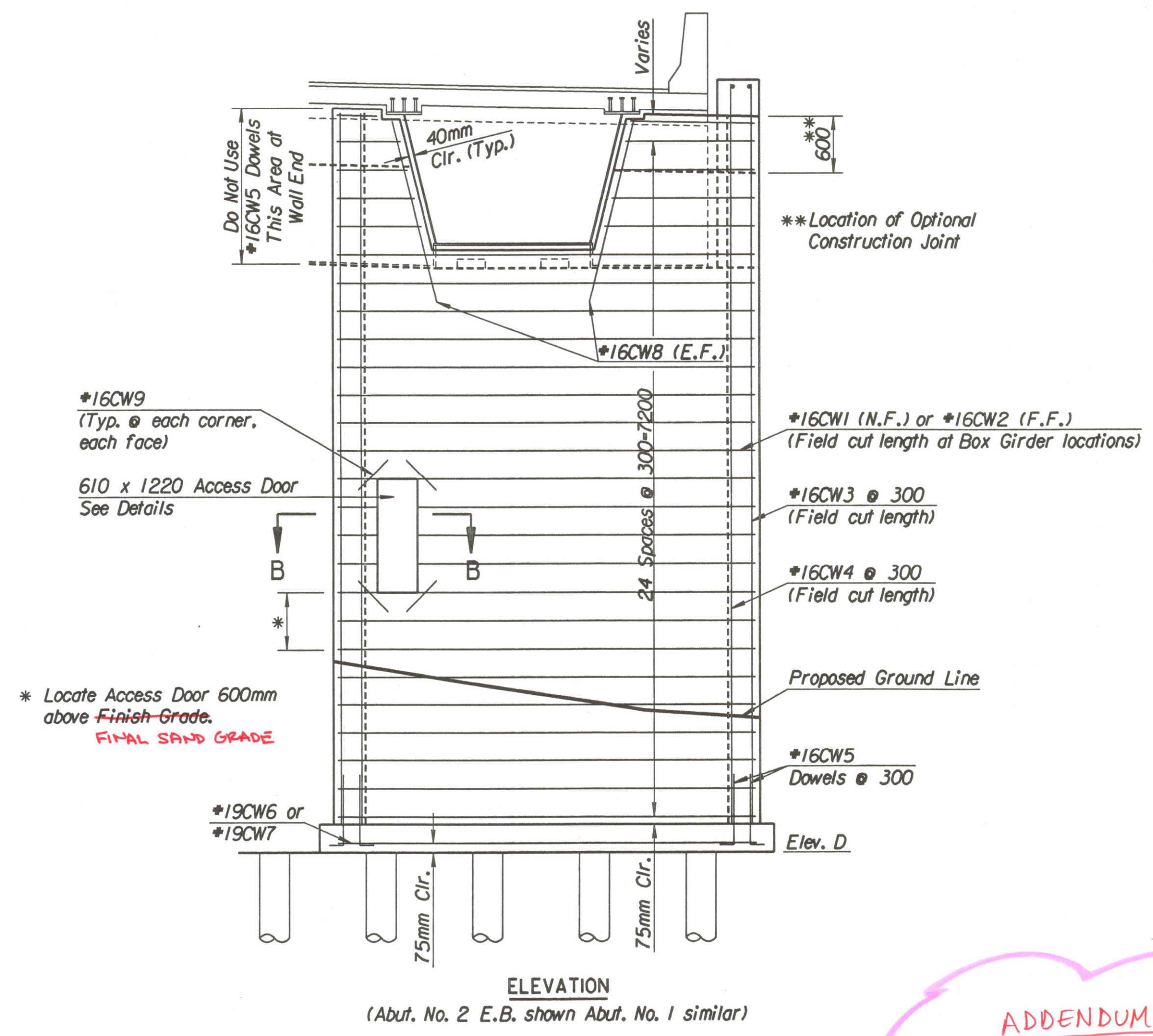
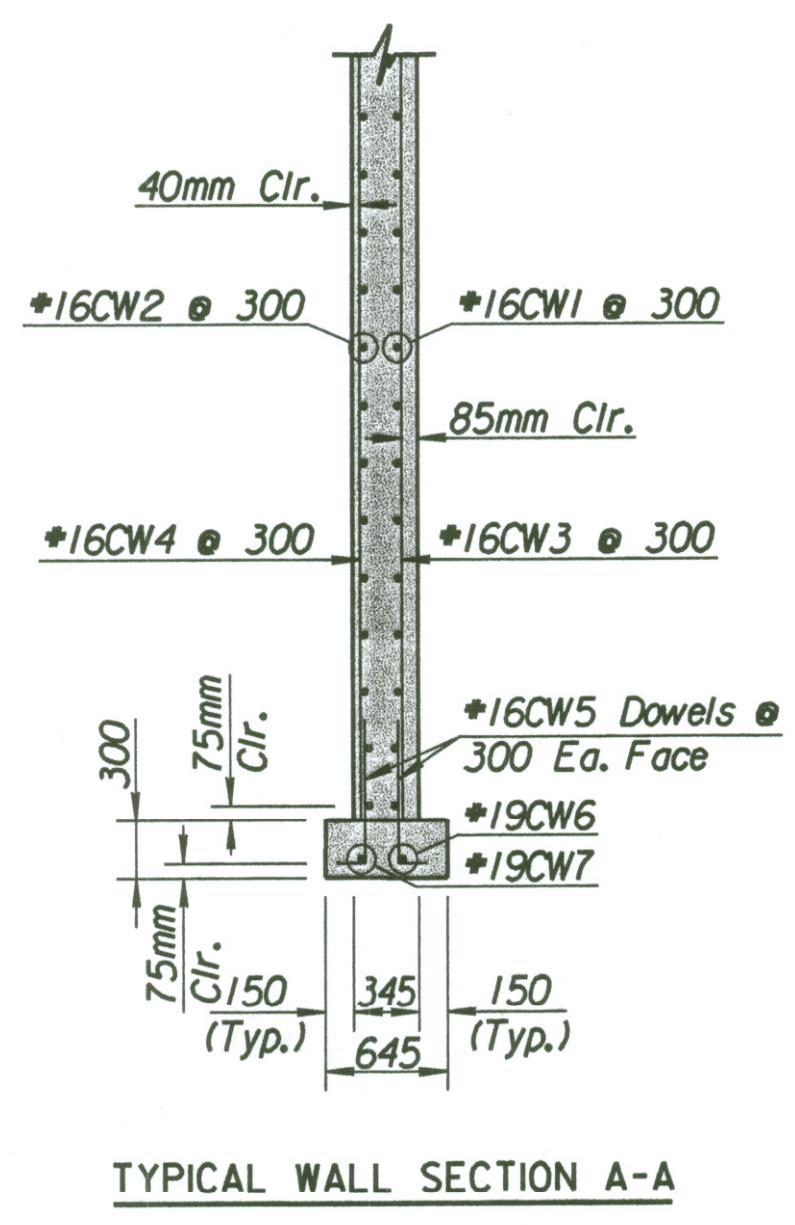


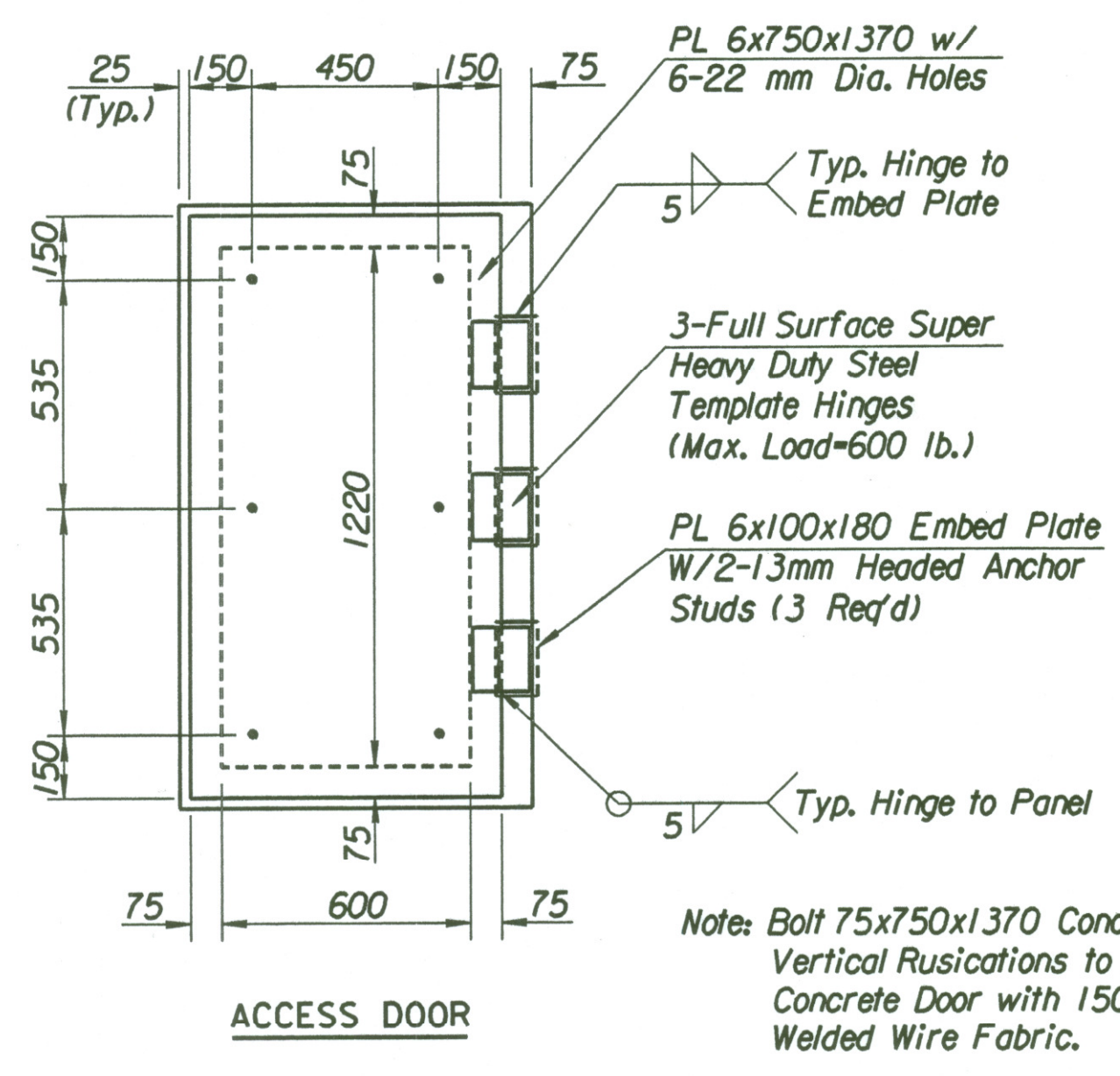
DATE	
BY	
REFERENCES NOTED	
REFERENCES CHECKED	



NOTE:
 Bridge contractor field fitted and attached an angled, galvanized metal strip to cover exposed opening at top of semi-circular room to restrict excessive moisture gaining access to room. Metal strip was attached with screws and sealing compound in a manner that allowed some flexibility of metal strip during bridge structure movement. One (1) metal strip attached per semi-circular room location [four (4) total]. See Field Order 6-14-04.



Access Door at Circular Wall locations is subsidiary to bid item Reinforced Concrete-Circular Walls. Quantities for Circular Walls are listed in the Substructure Quantities on the General Notes sheets. No deductions in Concrete and Reinforcing were made for Access Door openings.



Note: Bolt 75x750x1370 Concrete Panel with Vertical Rustications to PL 6x750x1370. Reinforce Concrete Door with 150x150-MW10xMW10 Welded Wire Fabric.

ADDENDUM #1:
 Sheet 449 and Sheet 579 Add the following notes:
 1. The exterior exposed face of the circular walls including the access door shall be a smooth textured surface and stined with the "Surface Coating Finish" in accordance with the specifications. Circular walls shall be measured and paid for at the unit price bid for "Concrete (Grade 30)(AE) and Reinforcing Steel(Gr. 420). Quantities are included in the Substructure Quantities.

See Circular Wall Dimensions Sheet for Dimensions and Elevations.

DSNR: RWA OPER: DRP SCALE: 40:1
 I:/1997/07362/001/BRIDGE/TYLERRD/CIRCULARWALL.DGN 2-26-2002 11:53:02 LAST REV: 3-21-2002 BY: DRP

Revisions		By	Date
No.			
CITY OF WICHITA			
BR. NO. 54-87-20.J3 (496) W.B.		STA. 17+332.607	
BR. NO. 54-87-20.J2 (497) E.B.		STA. 17+332.607	
CIRCULAR WALL DETAILS			
TYLER ROAD			
SEDGWICK COUNTY			
Professional Engineering Consultants, P.A.			
303 S. TOPEKA • WICHITA, KANSAS 67202 316-262-2691 • FAX 316-262-3003			
Designed by	RWA	Checked by	RAS
Drawn by	DRP	Date	April, 2002
		Job No.	97362