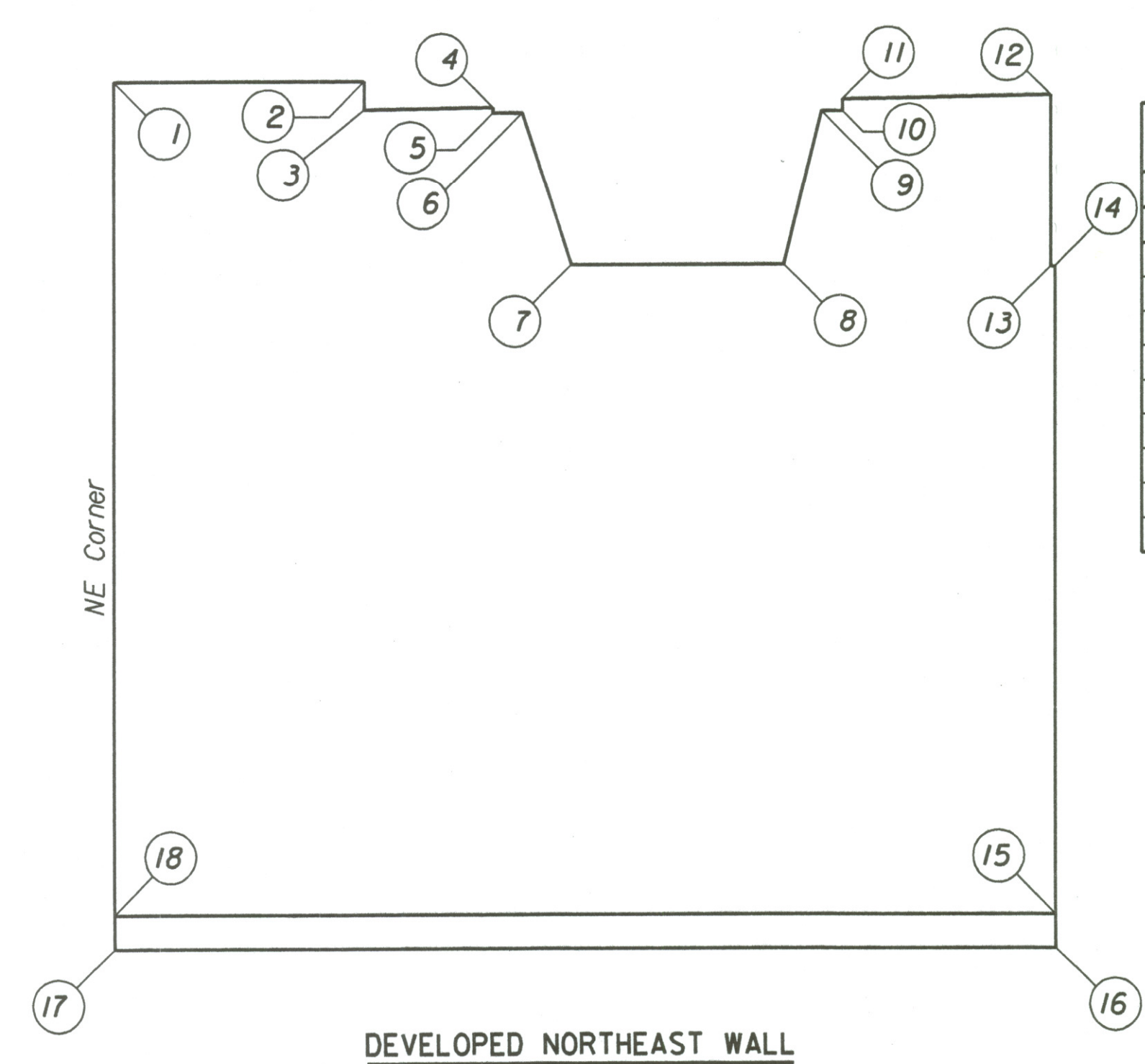
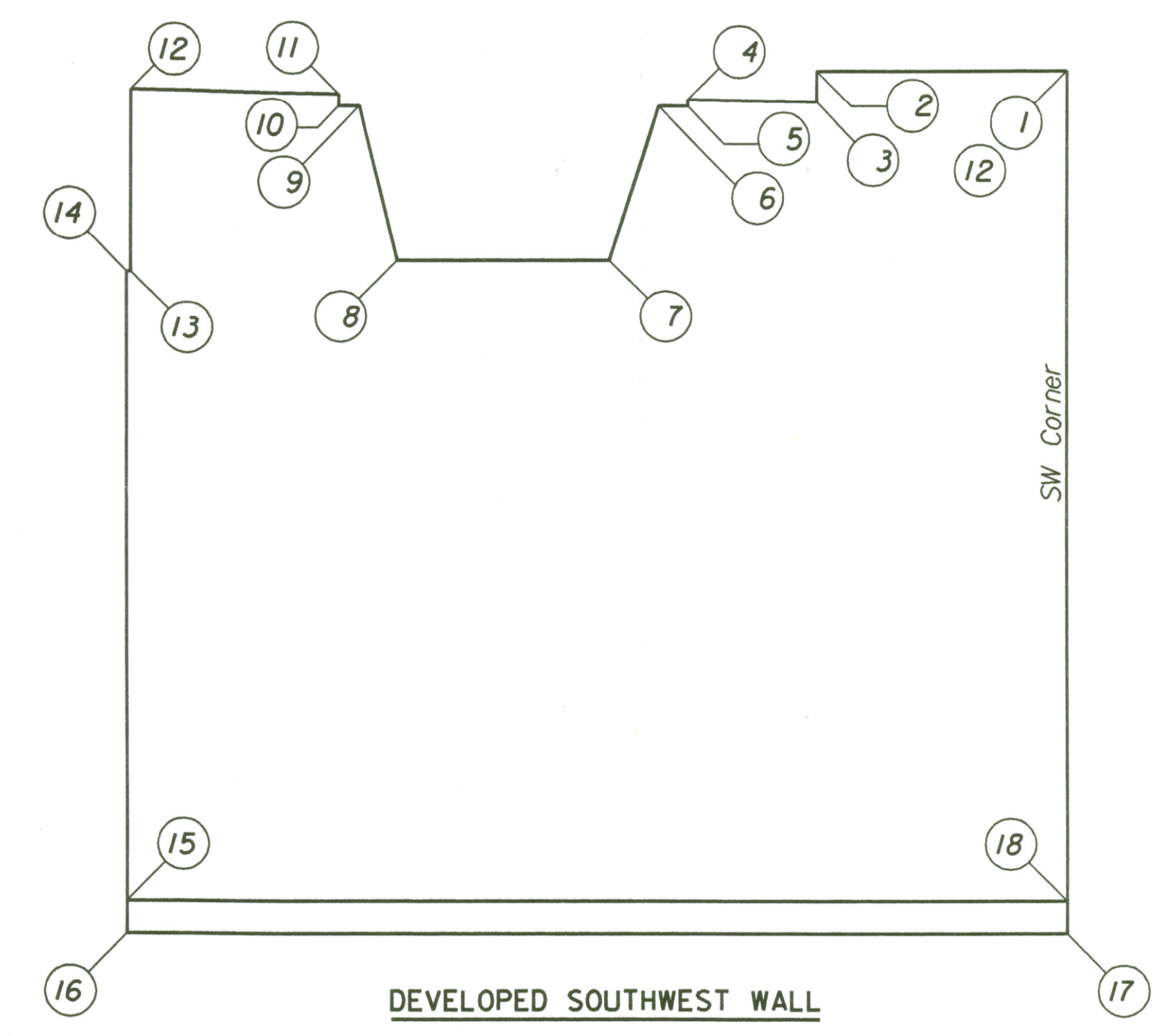


HORIZONTAL DEVELOPED WALL DISTANCES			
NEAR FACE		FAR FACE	
LINK	DISTANCE	LINK	DISTANCE
1-2	1.568	1-2	0.796
3-4	1.097	3-4	1.302
5-6	0.214	5-6	0.221
6-7	0.431	6-7	0.436
7-8	1.551	7-8	1.582
8-9	0.533	8-9	0.616
9-10	0.300	9-10	0.429
11-12	1.490	11-12	0.692
13-14	0.040	13-14	0.040

TABLE OF ELEVATIONS	
POINT	ELEV.
1	412.823
2	412.823
3	412.516
4	412.503
5	412.399
6	412.399
7	410.702
8	410.702
9	412.395
10	412.395
11	412.446
12	412.426
13	410.400
14	410.400
15	404.230
16	403.930
17	403.930
18	404.230

TABLE OF ELEVATIONS	
POINT	ELEV.
1	412.109
2	412.109
3	411.799
4	411.820
5	411.769
6	411.769
7	410.072
8	410.072
9	411.765
10	411.765
11	411.869
12	411.869
13	409.900
14	409.900
15	404.230
16	403.930
17	403.930
18	404.230

HORIZONTAL DEVELOPED WALL DISTANCES			
NEAR FACE		FAR FACE	
LINK	DISTANCE	LINK	DISTANCE
1-2	1.568	1-2	0.796
3-4	1.097	3-4	1.302
5-6	0.214	5-6	0.221
6-7	0.431	6-7	0.436
7-8	1.551	7-8	1.582
8-9	0.533	8-9	0.616
9-10	0.300	9-10	0.429
11-12	1.490	11-12	0.692
13-14	0.040	13-14	0.040

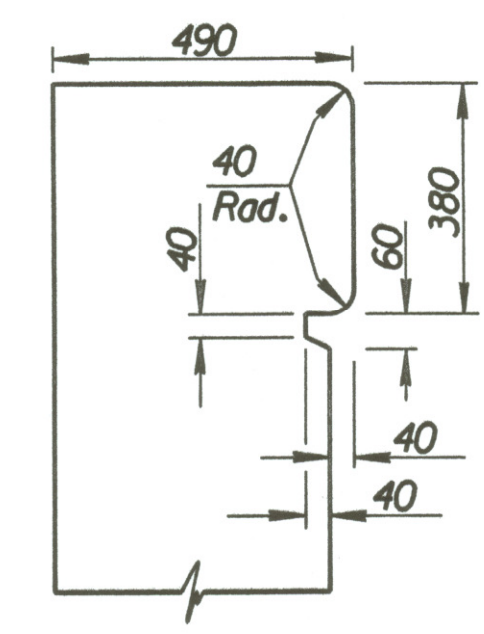
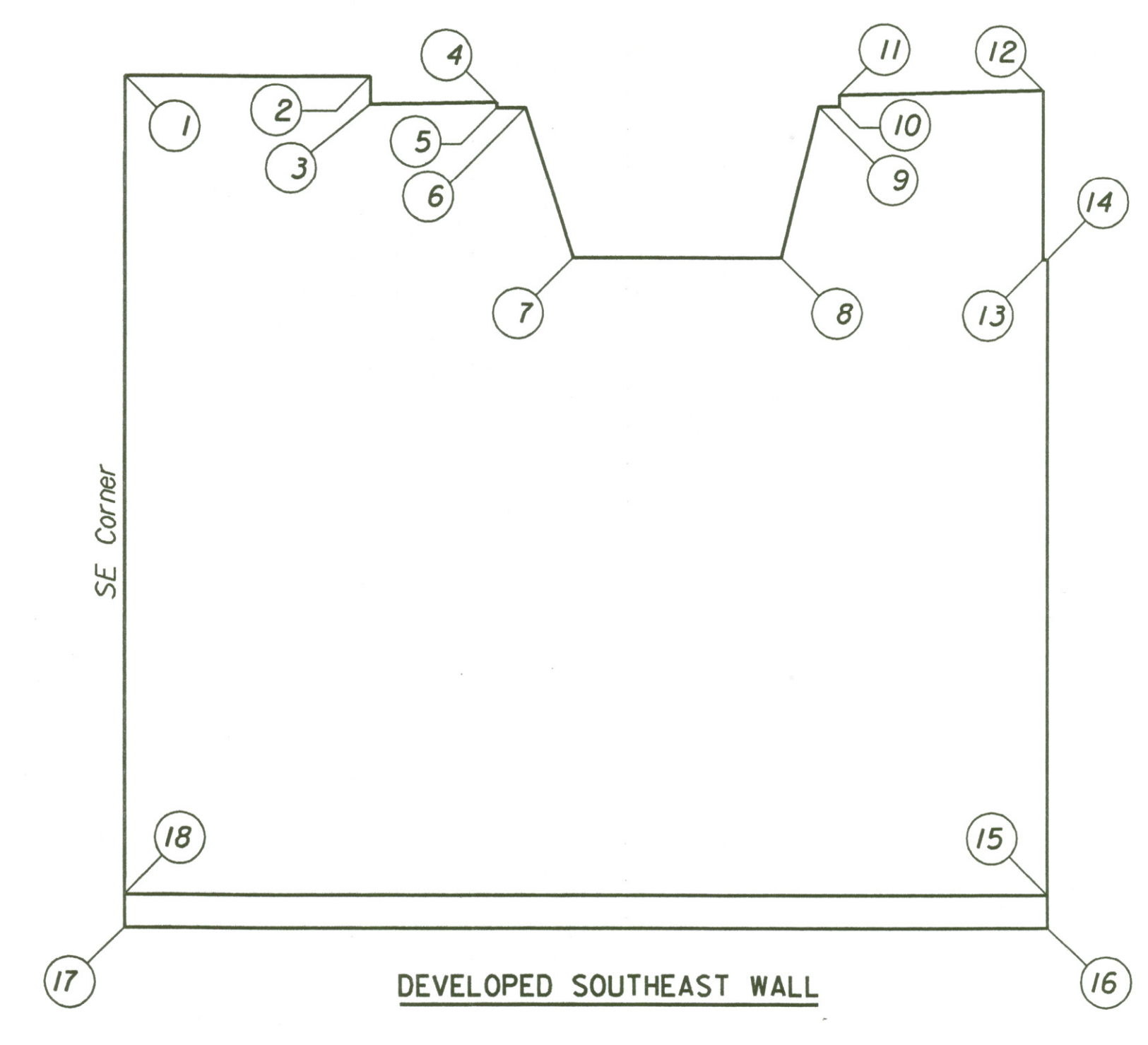


HORIZONTAL DEVELOPED WALL DISTANCES			
NEAR FACE		FAR FACE	
LINK	DISTANCE	LINK	DISTANCE
1-2	1.568	1-2	0.796
3-4	1.097	3-4	1.302
5-6	0.214	5-6	0.221
6-7	0.431	6-7	0.436
7-8	1.551	7-8	1.582
8-9	0.533	8-9	0.616
9-10	0.300	9-10	0.429
11-12	1.490	11-12	0.692
13-14	0.040	13-14	0.040

TABLE OF ELEVATIONS	
POINT	ELEV.
1	412.789
2	412.789
3	412.484
4	412.470
5	412.366
6	412.366
7	410.669
8	410.669
9	412.362
10	412.362
11	412.413
12	412.393
13	410.250
14	410.250
15	404.196
16	403.896
17	403.896
18	404.196

TABLE OF ELEVATIONS	
POINT	ELEV.
1	412.075
2	412.075
3	411.766
4	411.787
5	411.736
6	411.736
7	410.039
8	410.039
9	411.732
10	411.732
11	411.836
12	411.836
13	409.800
14	409.800
15	404.196
16	403.896
17	403.896
18	404.196

HORIZONTAL DEVELOPED WALL DISTANCES			
NEAR FACE		FAR FACE	
LINK	DISTANCE	LINK	DISTANCE
1-2	1.568	1-2	0.796
3-4	1.097	3-4	1.302
5-6	0.214	5-6	0.221
6-7	0.431	6-7	0.436
7-8	1.551	7-8	1.582
8-9	0.533	8-9	0.616
9-10	0.300	9-10	0.429
11-12	1.490	11-12	0.692
13-14	0.040	13-14	0.040



WALL CAP  
Typical  
Link 1-2

DSNR: RWA OPER: DRP SCALE: 1/1997/97362/001/BRIDGE/TYLERRD/CIRCULARWALL.DGN 2-26-2002 11:53:02 LAST REV: 3-21-2002 BY: svb

No.		Revisions		By	Date
CITY OF WICHITA					
BR. NO. 54-87-20.13(496) W.B.			STA. 17+332.607		
BR. NO. 54-87-20.12(497) E.B.			STA. 17+332.607		
<b>CIRCULAR WALL DIMENSIONS</b>					
TYLER ROAD					
SEDGWICK COUNTY					
<b>Professional Engineering Consultants, P.A.</b>					
303 S. TOPEKA • WICHITA, KANSAS 67202					
316-262-2691 • FAX 316-262-3003					
Designed by	RWA	Checked by	RAS		
Drawn by	DRP	Date	April, 2002	Job No.	97362