

STATE	PROJECT NO.	YEAR	SHEET NO.	TOTAL SHEETS
KANSAS	54-87 K-6657-01	2002	582	1122

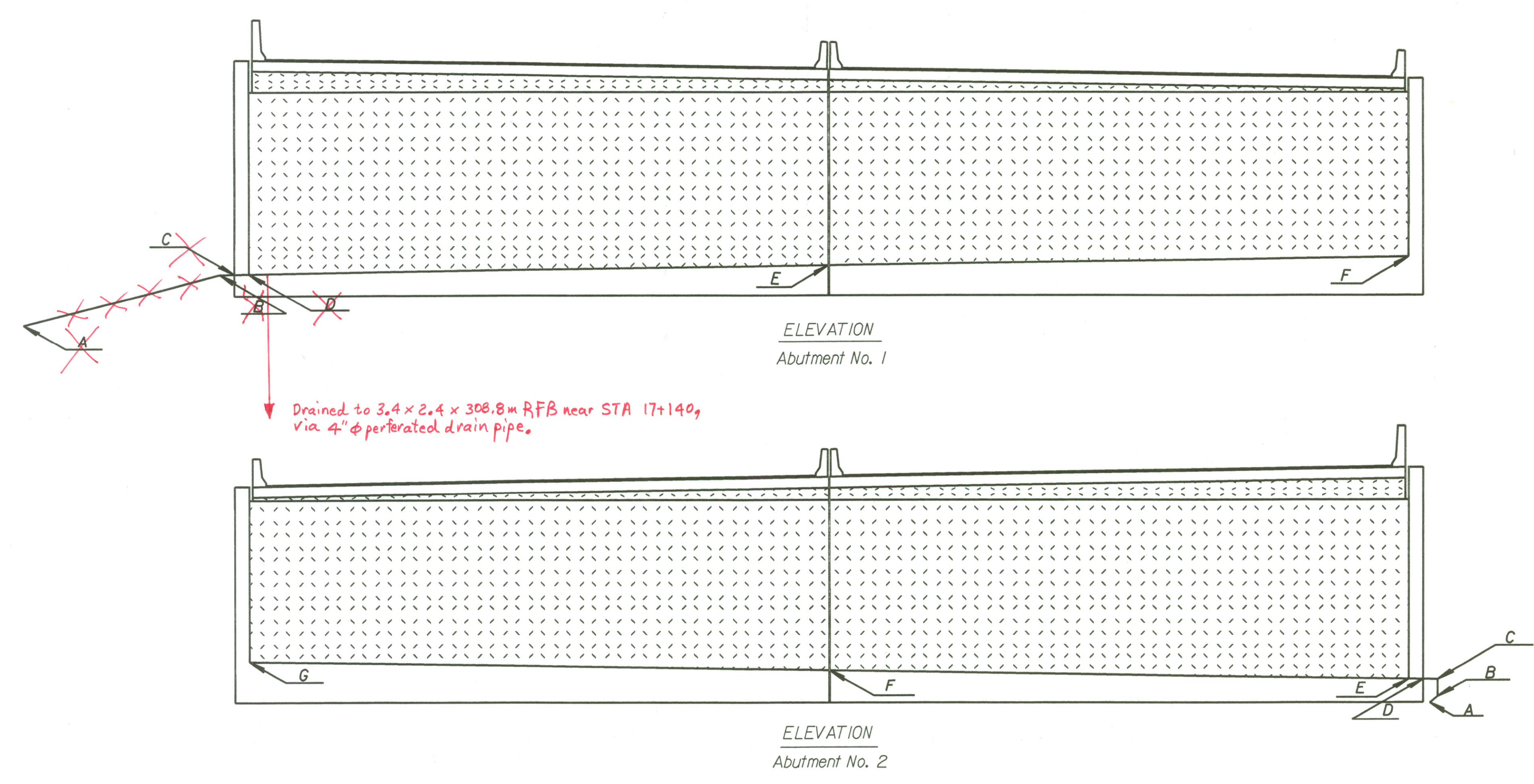
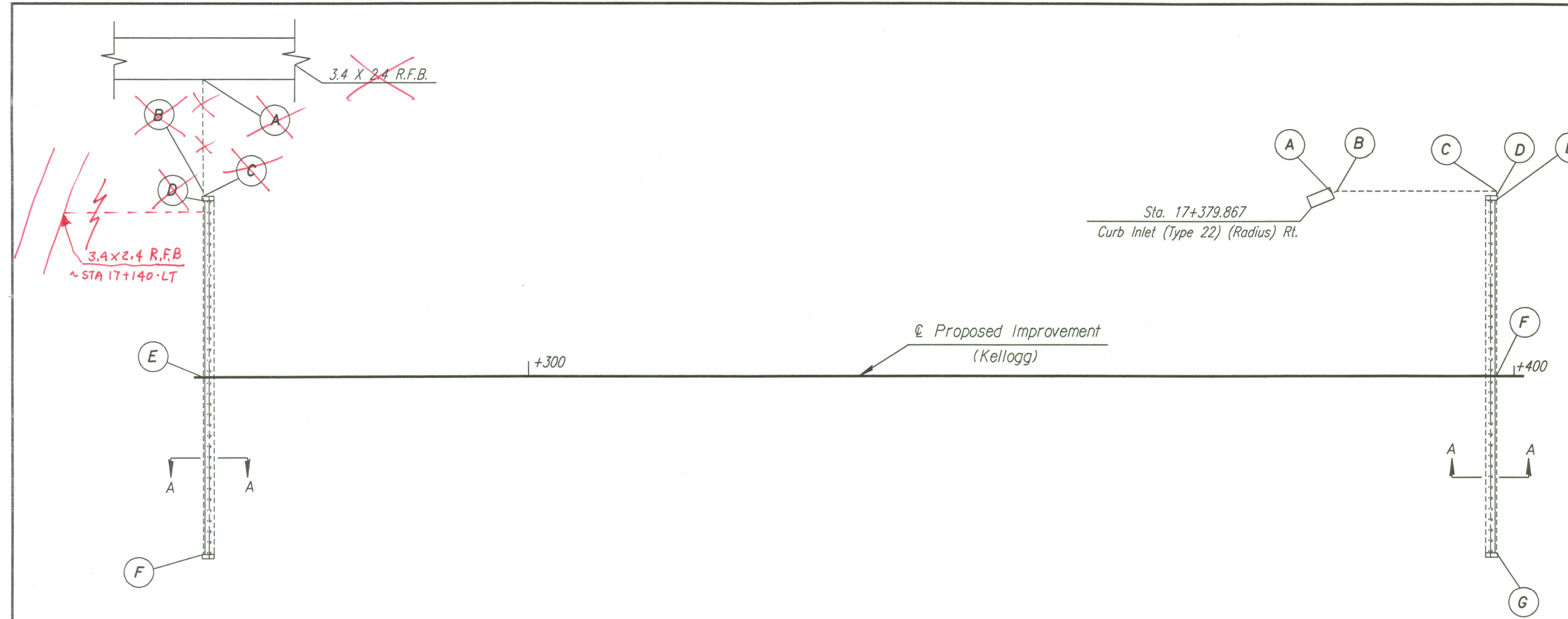
STATIONS & OFFSETS ARE FROM $\text{\textcircled{C}}$ Proposed Improvement (Kellogg)

ABUTMENT DRAIN INFORMATION				
BR. NO. 54-87-20.13 (496) & 54-87-20.12 (497)				
REFERENCE	POINT	STATION	OFFSET	ELEVATION
ABUTMENT #1	A	17+267.007	30.120 Lt.	401.457
	B	17+267.007	18.945 Lt.	404.076
	C	17+267.007	18.495 Lt.	404.080
	D	17+267.007	18.045 Lt.	404.085
	E	17+267.007	0.000	404.265
	F	17+267.007	18.045 Rt.	404.445
ABUTMENT #2	A	17+381.526	18.745 Lt.	403.000
	B	17+382.020	18.945 Lt.	403.050
	C	17+398.207	18.945 Lt.	404.041
	D	17+398.207	18.495 Lt.	404.046
	E	17+398.207	18.045 Lt.	404.051
	F	17+398.207	0.000	404.231
	G	17+398.207	18.045 Rt.	404.411

BR. NO. 54-87-20.13 (496) & 20.12 (497)			
REFERENCE	POINT	LENGTH	PIPE TYPE
ABUTMENT #1	A-B	26.267 m	100mm Non-Perforated
	B-C	0.450 m	100mm Non-Perforated
	C-D	0.450 m	100mm Non-Perforated
	D-E	18.046 m	100mm Perforated
	E-F	18.046 m	100mm Perforated
ABUTMENT #2	A-B	0.533 m	100mm Non-Perforated
	B-C	16.218 m	100mm Non-Perforated
	C-D	0.450 m	100mm Non-Perforated
	D-E	0.450 m	100mm Non-Perforated
	E-F	18.046 m	100mm Perforated
	F-G	18.046 m	100mm Perforated

BILL OF MATERIALS FOR ABUTMENT STRIP DRAIN			
ITEM	BR. NO. 54-87-20.13 (496)		UNIT
	ABUT. #1	ABUT. #2	
Bridge Backwall Prot. Sys.	151.7	151.7	S.M.
Strip Drain	147.3	147.3	S.M.
* 100mm Perforated Pipe	18.05	18.05	M.
* 100mm Non-Perforated Pipe	27.2	17.7	M.
BR. NO. 54-87-20.12 (497)			
	ABUT. #1	ABUT. #2	UNIT
Bridge Backwall Prot. Sys.	145.2	145.2	S.M.
Strip Drain	137.4	137.4	S.M.
* 100mm Perforated Pipe	18.05	18.05	M.
* 100mm Non-Perforated Pipe	0.0	0.0	M.

* Subsidiary to "Abutment Strip Drain"
See Abutment Strip Drain Sheet (sheet 583) for additional information.



DSNR: PAS OPER: JGP SCALE: 1:300
 1/1997/97362/001/BRIDGE/TYLERD/ABUTDRAIN.DGN 10-29-1999 8:33:10 LAST REV: 3-21-2002 BY: svb

1			
No.	Revisions	By	Date
CITY OF WICHITA			
BR. NO. 54-87-20.13(496)W.B.		STA. 17+332.607	
BR. NO. 54-87-20.12(497)E.B.		STA. 17+332.607	
ABUTMENT STRIP DRAIN DETAILS			
KELLOGG (US-54) OVER TYLER RD. SEDGWICK COUNTY			
Professional Engineering Consultants, P.A. <small>303 S. TOPEKA • WICHITA, KANSAS 67202 316-262-2691 • FAX 316-262-3003</small>			
Designed by	MSN	Checked by	RAS
Drawn by	MSN	Date	April, 2002 Job No. 97362