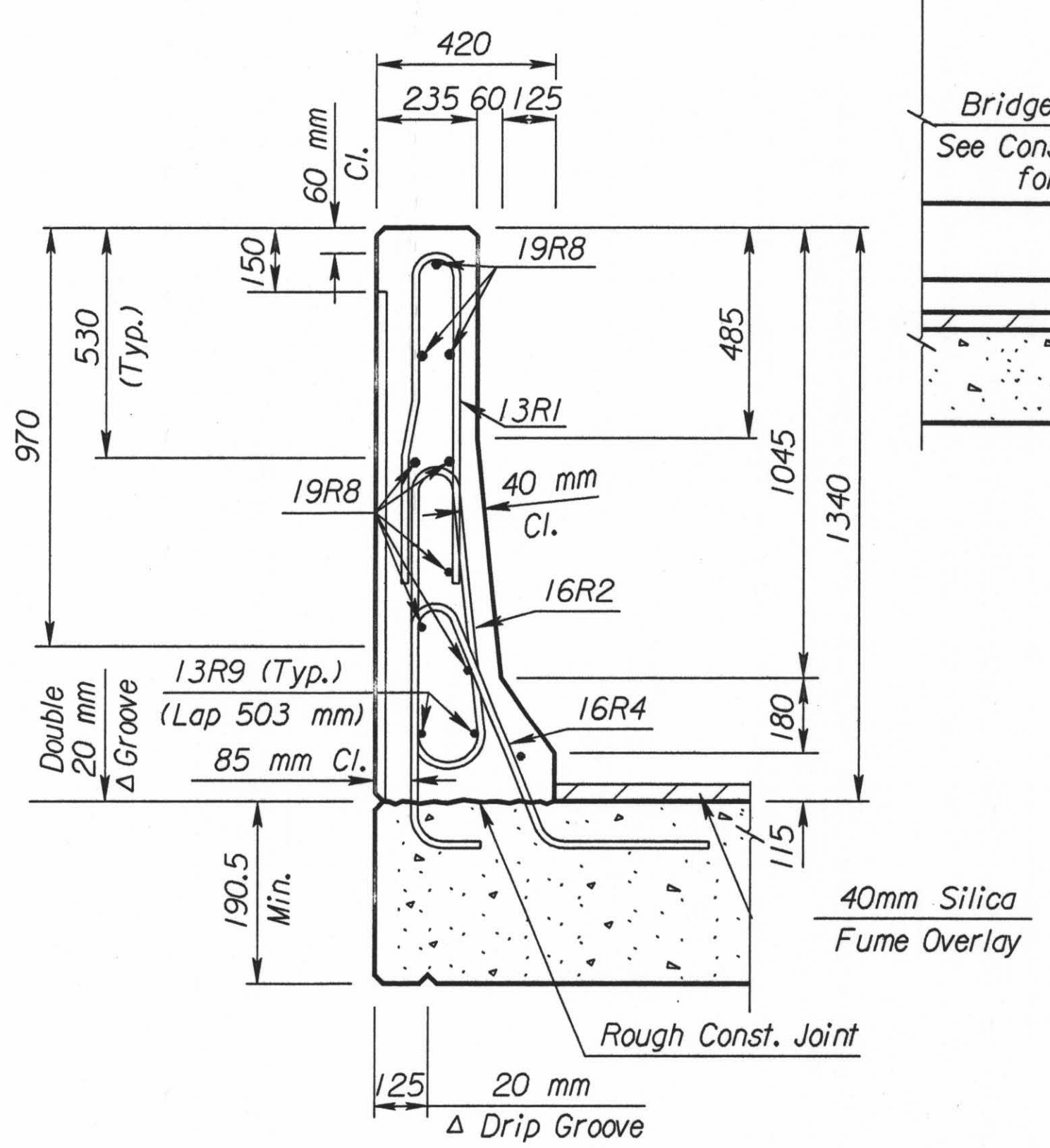
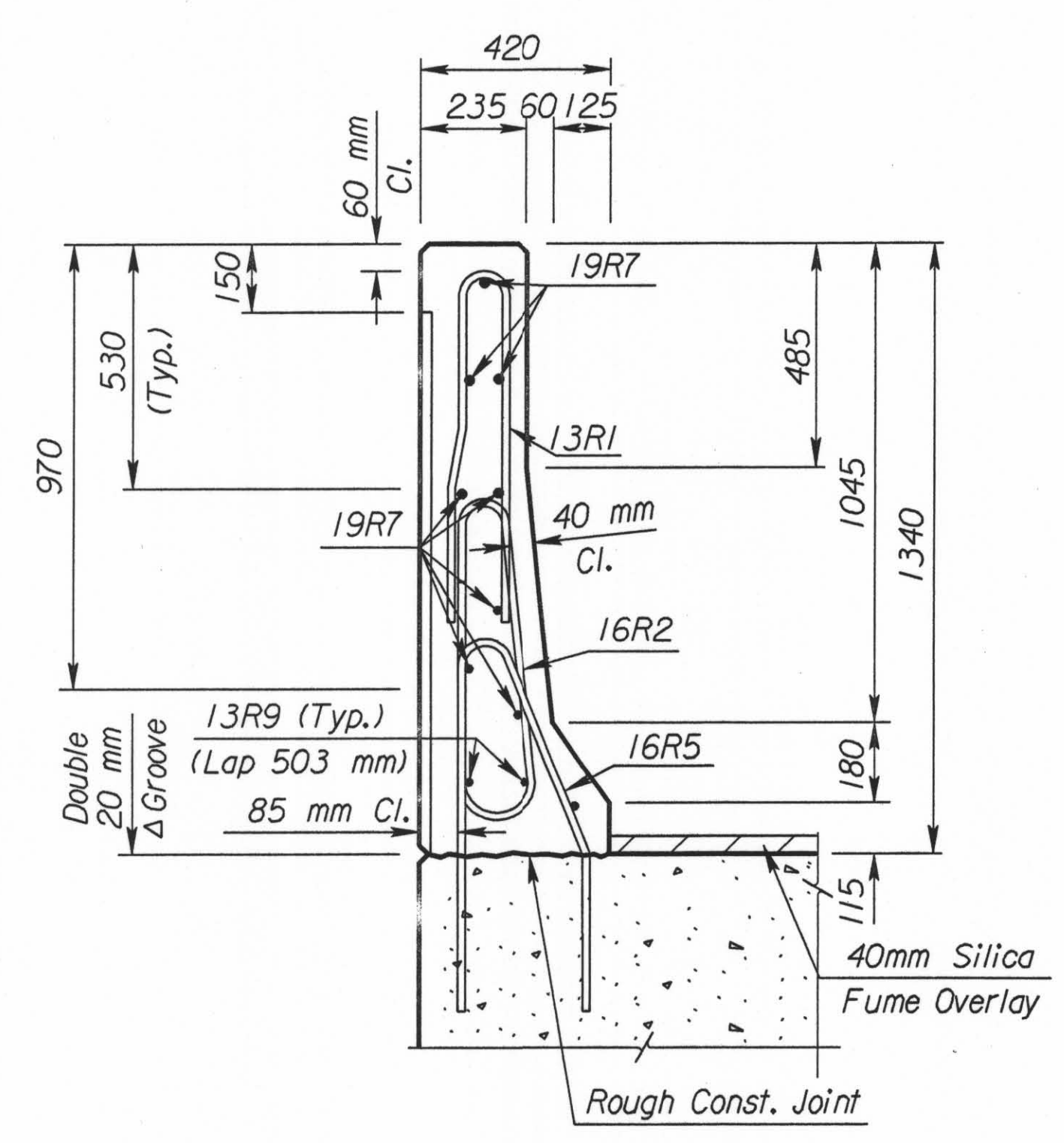
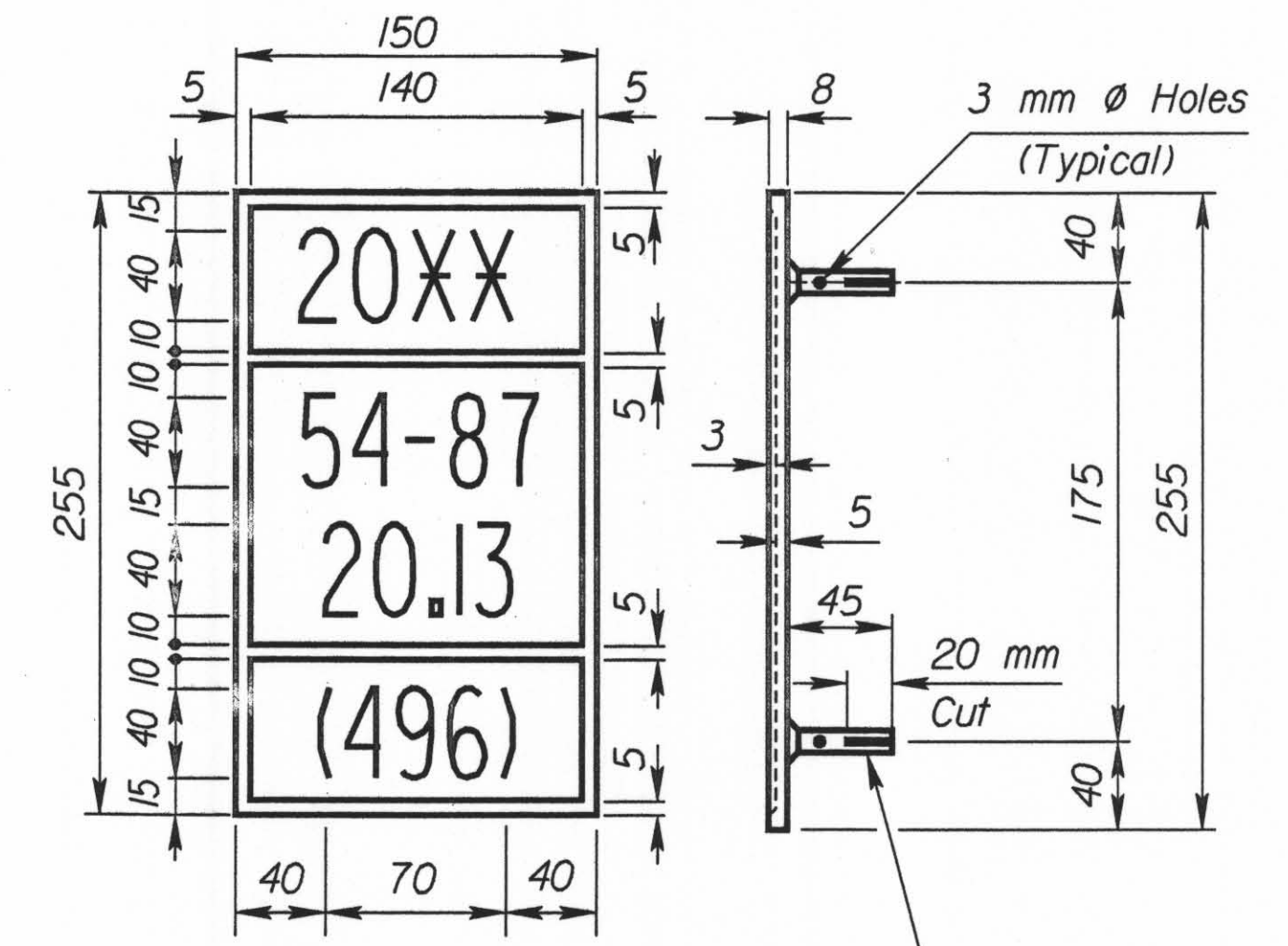
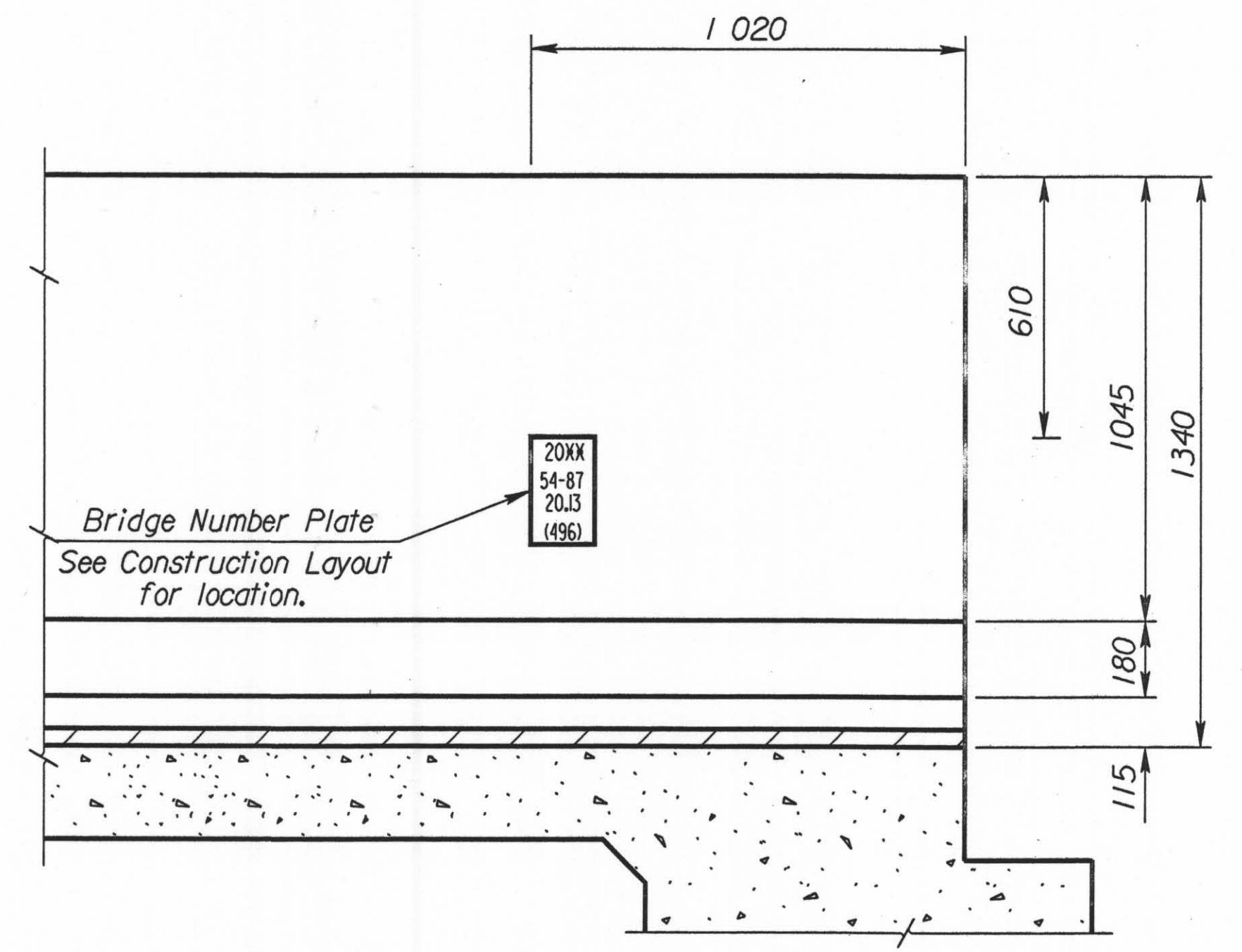
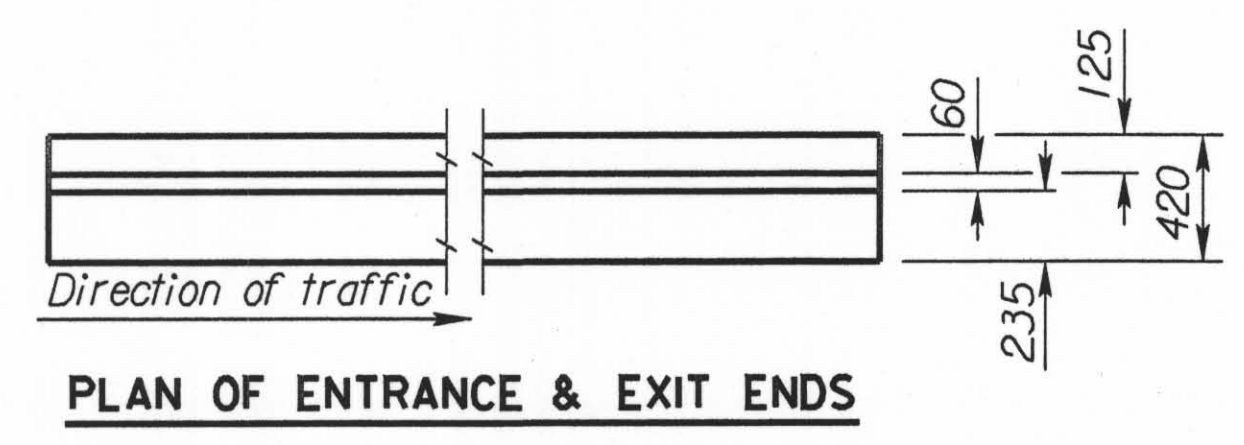
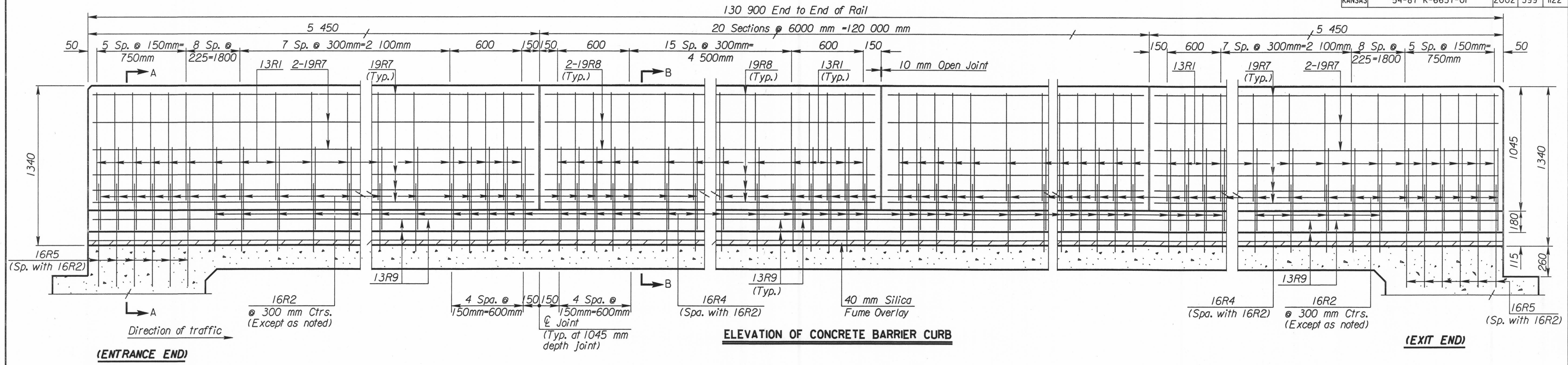


STATE	PROJECT NO.	YEAR	SHEET NO.	TOTAL SHEETS
KANSAS	54-87 K-6657-01	2002	599	1122



Plotted By : svb
 Plot File : i:\1997\97362\001\bridge\tyler\1300NorthRail.dgn
 Plot Date : 3-22-2002
 Std. Base File : br185asi.dgn
 Server File :
 Server : witch
 View = PLOT 1

3				
2				
1	10-27-00	Current Release		
NO.	DATE	REVISIONS	BY	APP'D
CITY OF WICHITA Br. No. 54-87-20.13 (496) W.B. Sta. 17+332.607 1300mm F2 BARRIER CURB NORTH RAIL KELLOGG (US 54) OVER TYLER ROAD SEDGWICK Co.				
SHEET NO.	OF	SCALE	APP'D	
DESIGNED	DETAILED	QUANTITIES	CADD	
DESIGN CK.	DETAIL CK.	QUAN. CK.	CADD CK.	