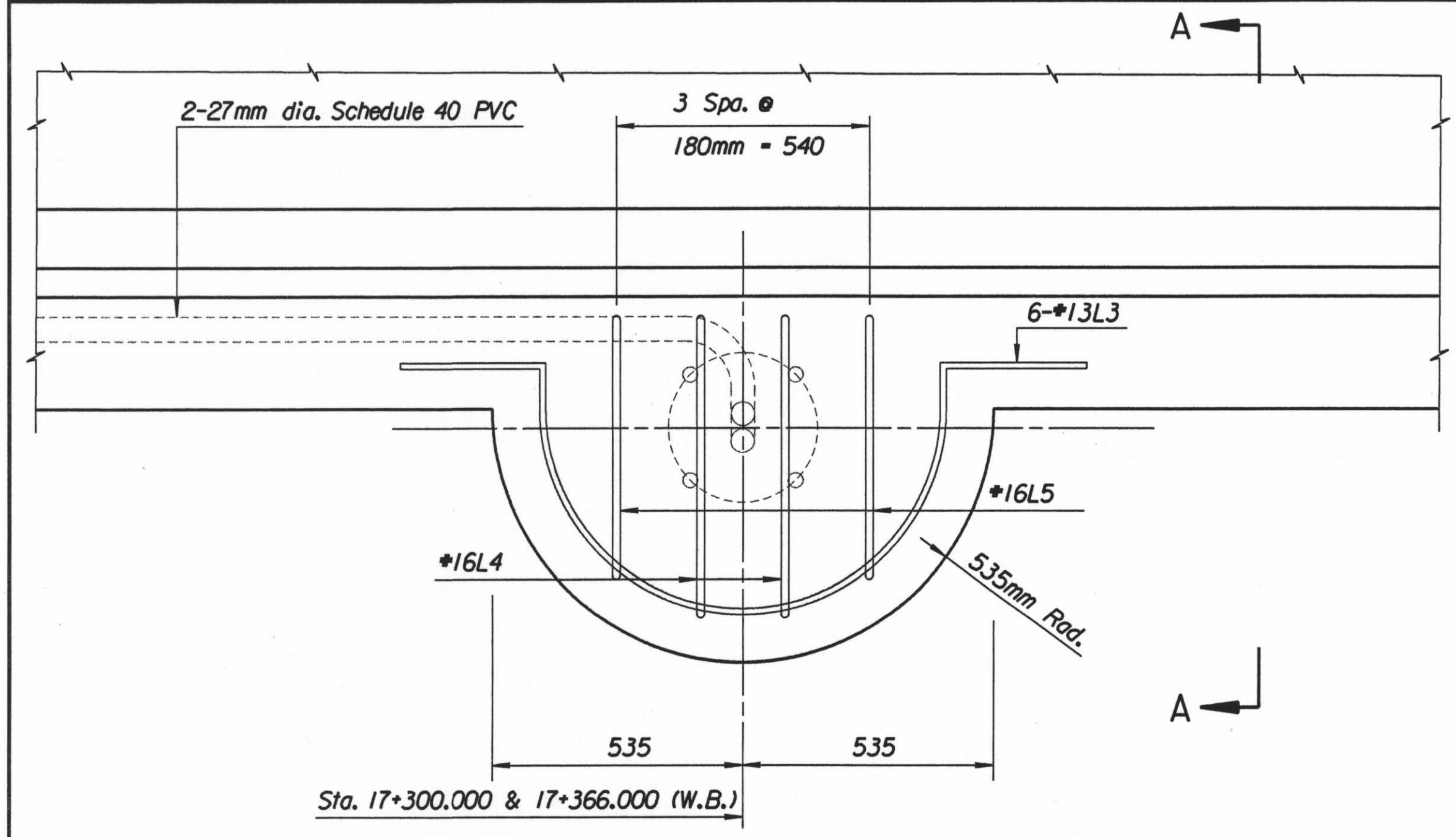
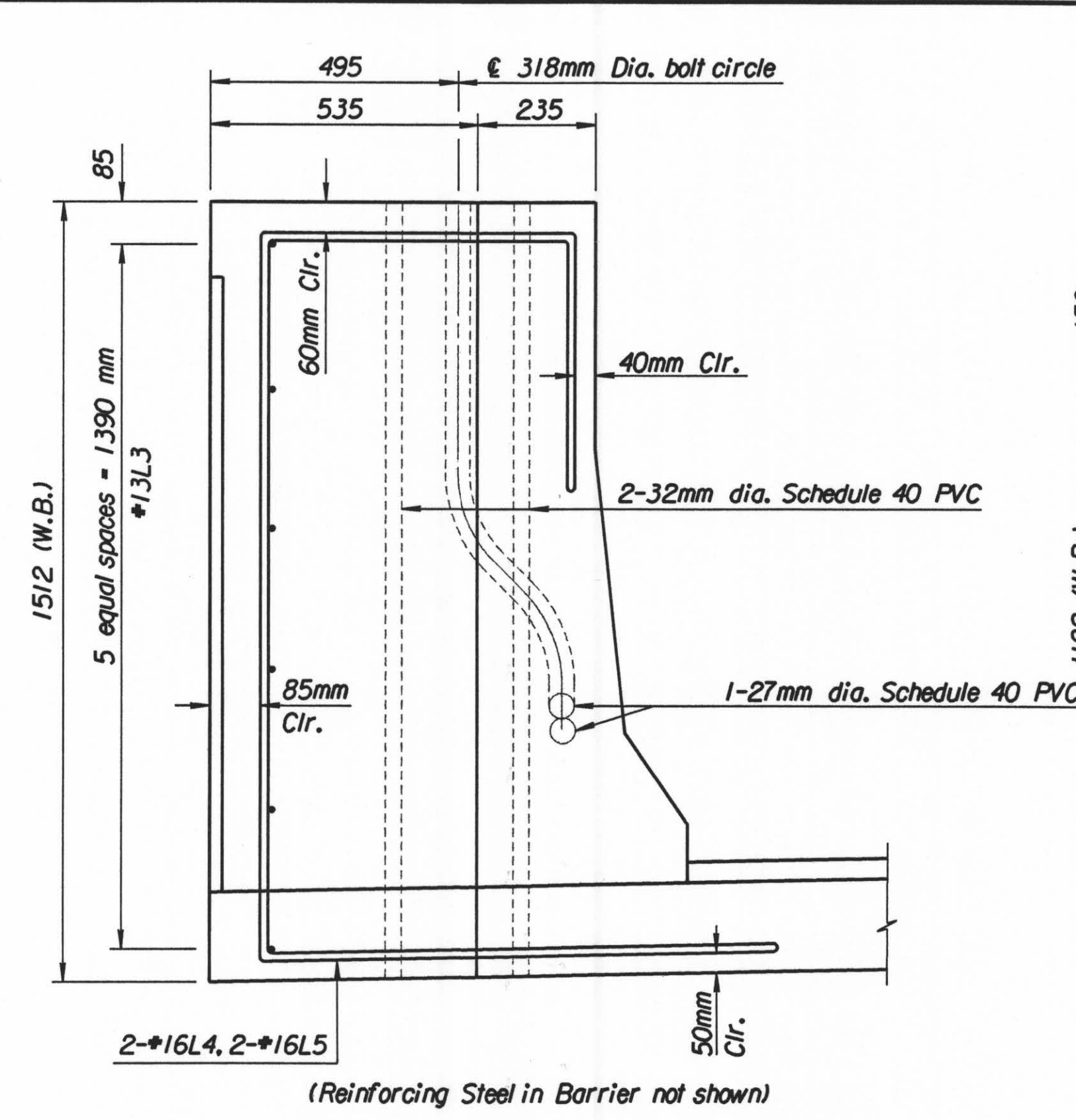


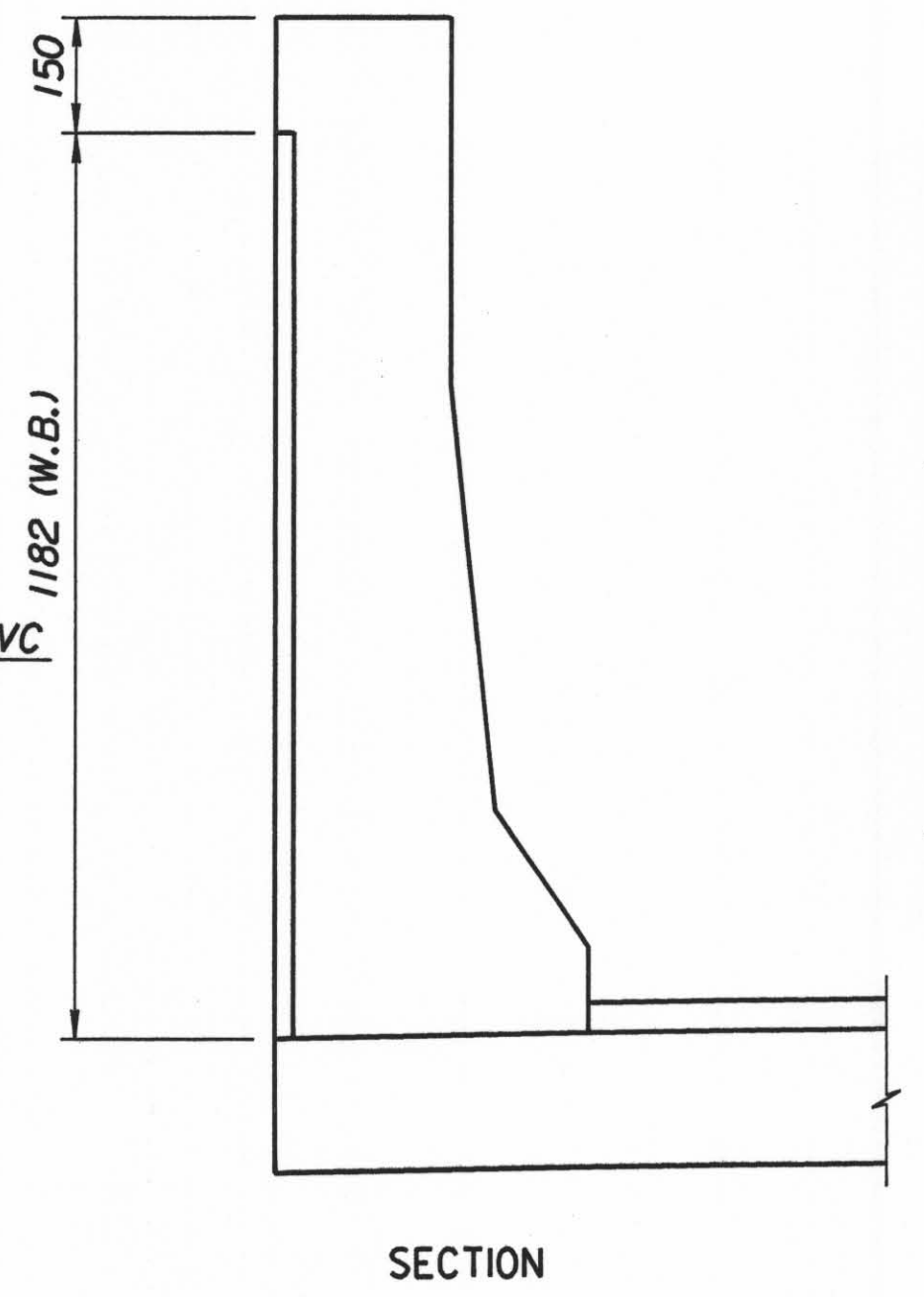
STATE	PROJECT NO.	YEAR	SHEET NO.	TOTAL SHEETS
KANSAS	54-87 K-6657-01	2002	602	1122



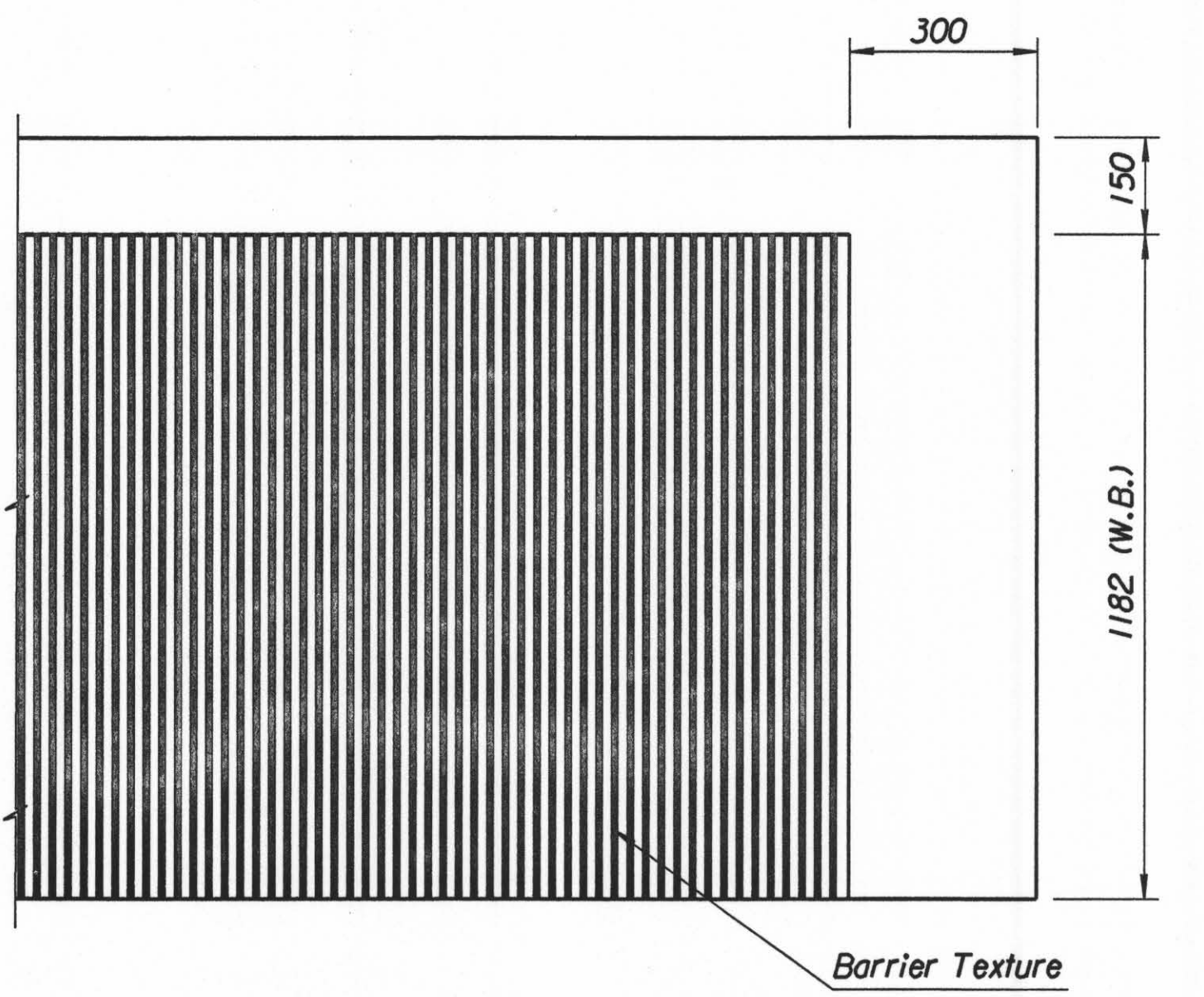
PLAN



SECTION A-A

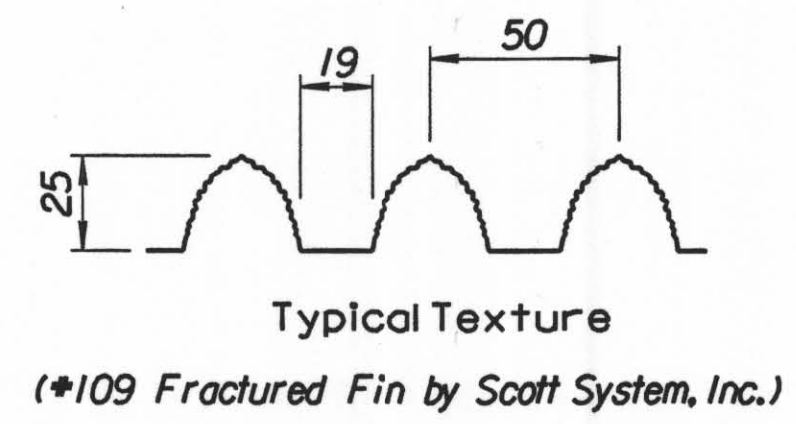


SECTION

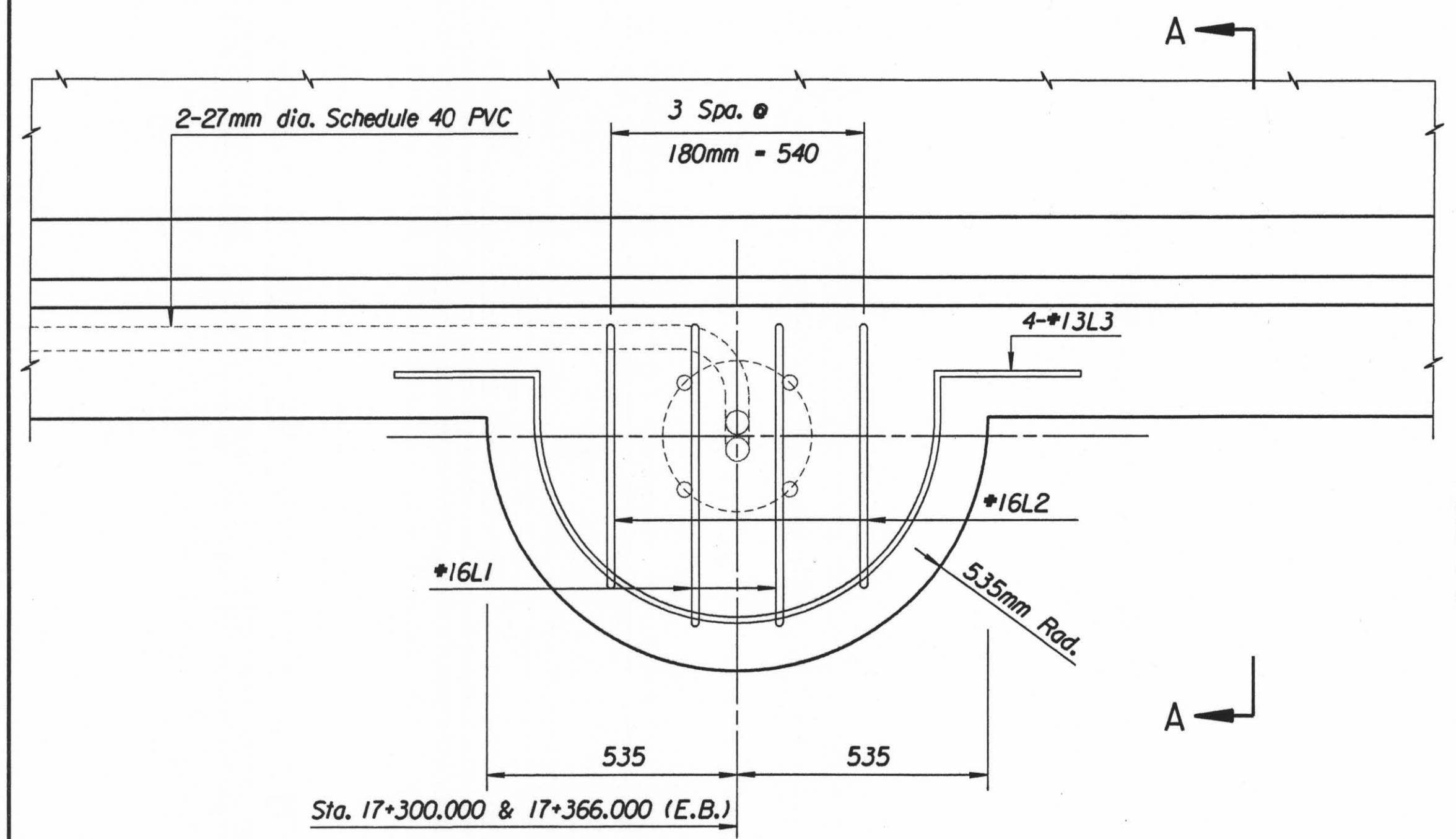


ELEVATION

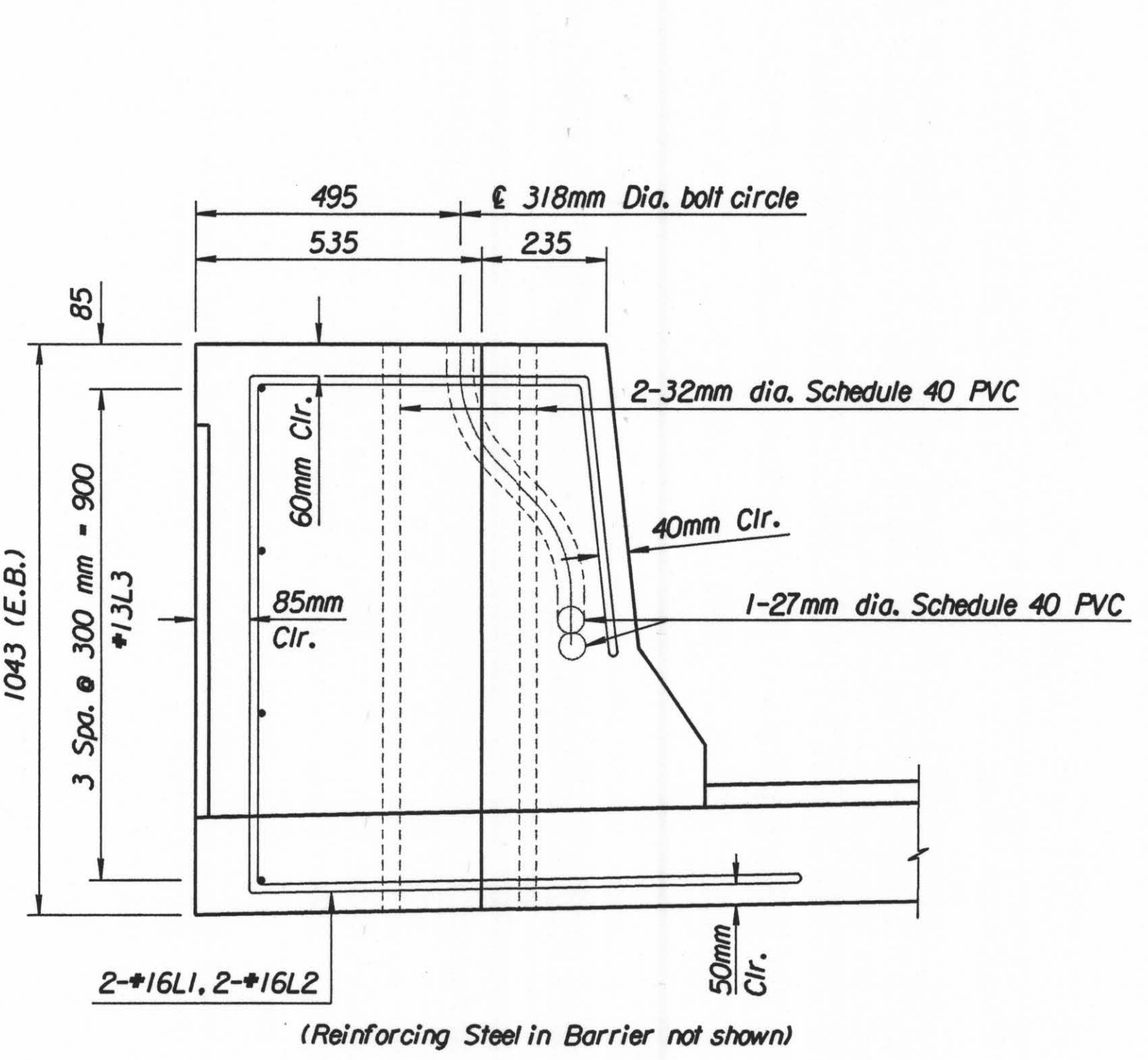
RUSTICATION DETAIL



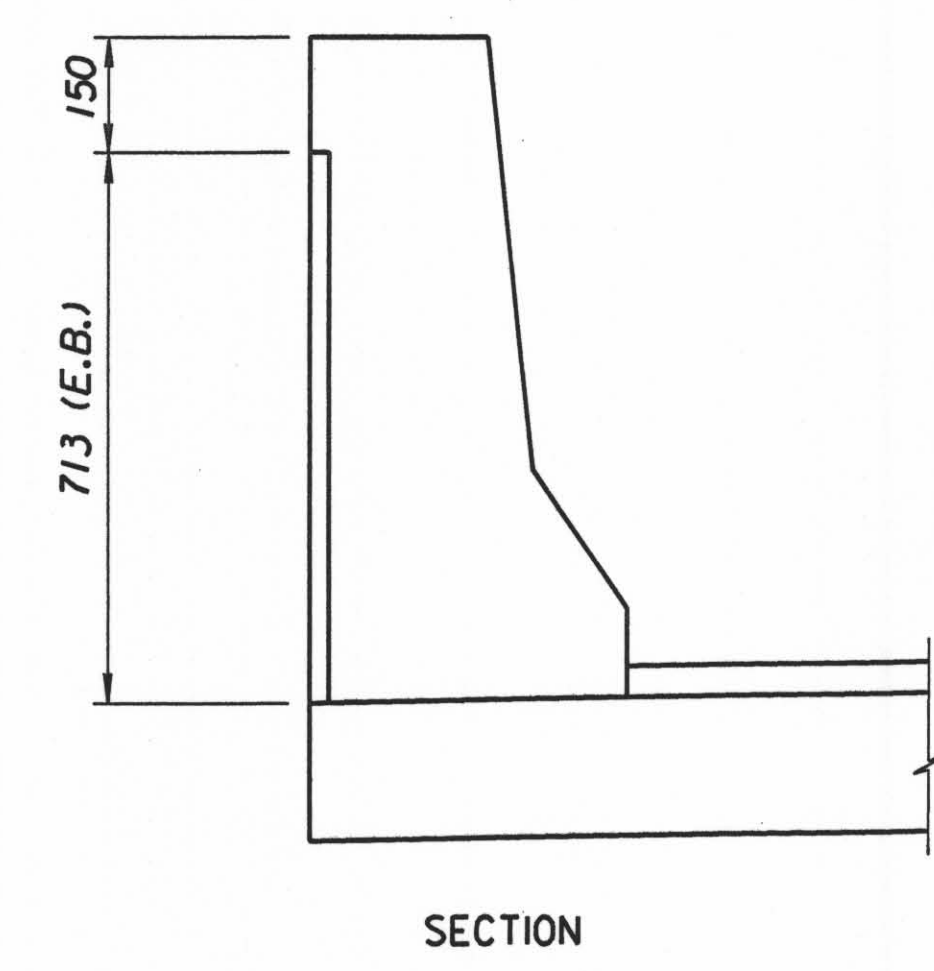
Typical Texture
(*109 Fractured Fin by Scott System, Inc.)



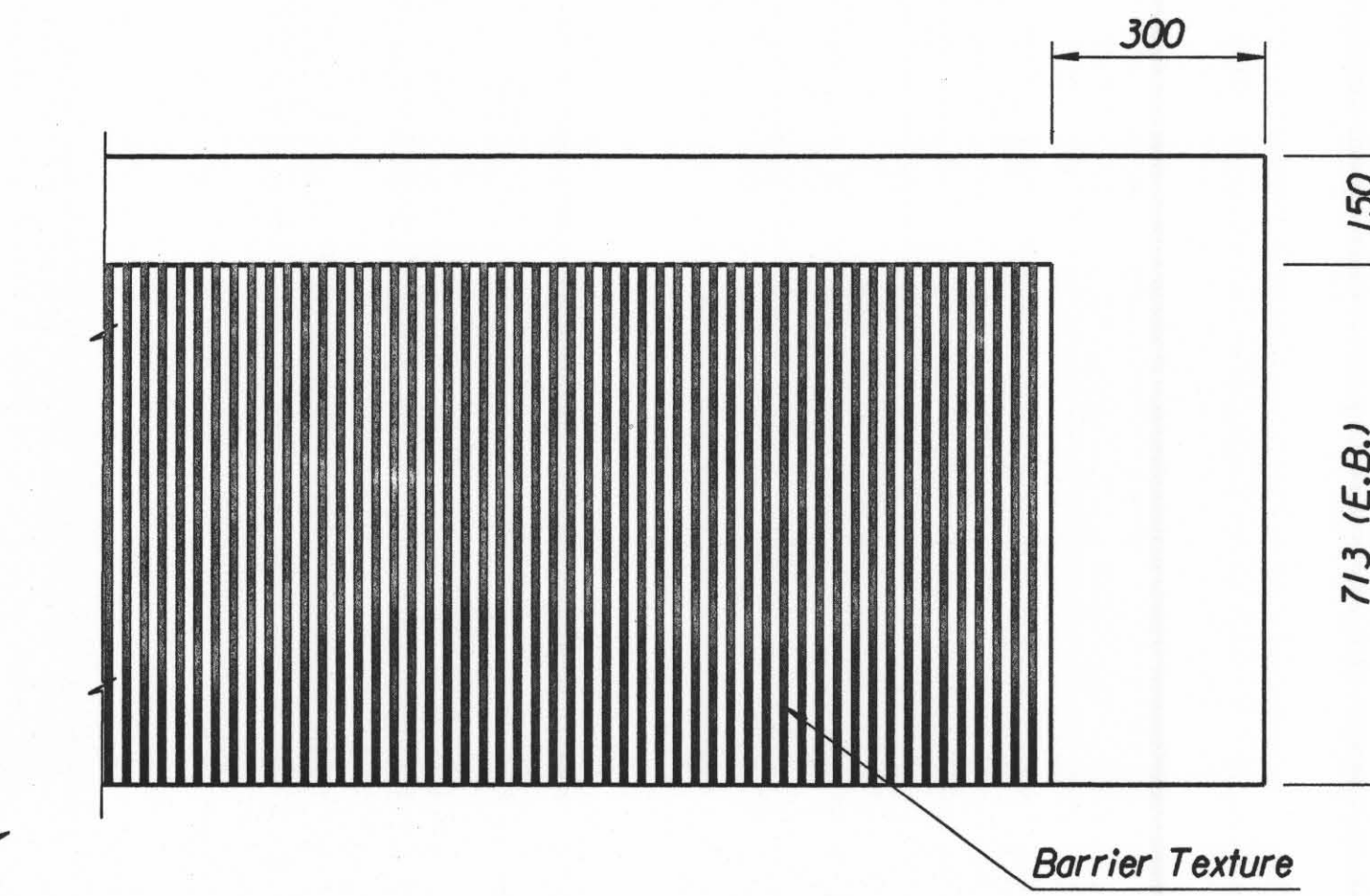
PLAN



SECTION A-A



SECTION



ELEVATION

RUSTICATION DETAIL

Drawn by: ras
 Plotted by: ras 3-26-2002
 I:\1997\91562\001\bridge\tylerrd\lightsup.dgn

CITY OF WICHITA			
BR. NO. 54-87-20.J3 (496) W.B.		STA. 17+332.607	
BR. NO. 54-87-20.J2 (497) E.B.		STA. 17+332.607	
MISCELLANEOUS BARRIER DETAIL			
KELLOGG (US-54) OVER TYLER ROAD			
SEDGWICK COUNTY			
Professional Engineering Consultants, P.A. 303 S. TOPEKA • WICHITA, KANSAS 67202 316-262-2691 • FAX 316-262-3003			
Designed by	RAS	Checked by	RAS
Drawn by	BJS	Date	April, 2002
		Job No.	97362