

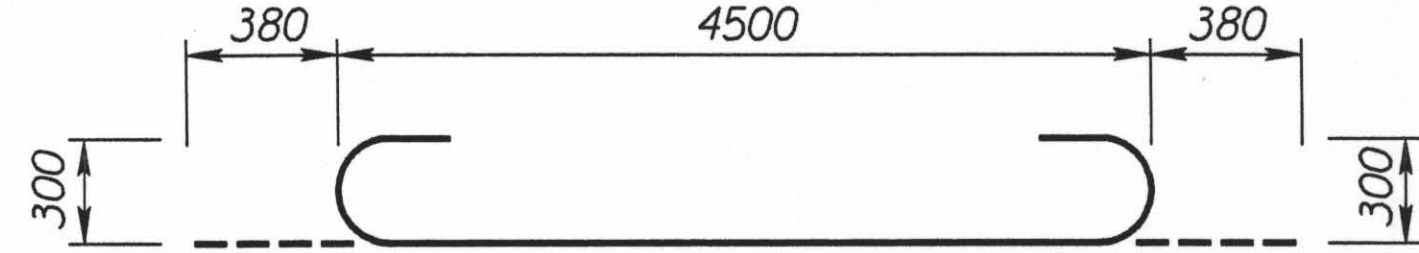
STATE	PROJECT NO.	YEAR	SHEET NO.	TOTAL SHEETS
KANSAS	54-87 K-6657-01	2002	606	1122

**BILL OF REINFORCING STEEL  
Grade 420**

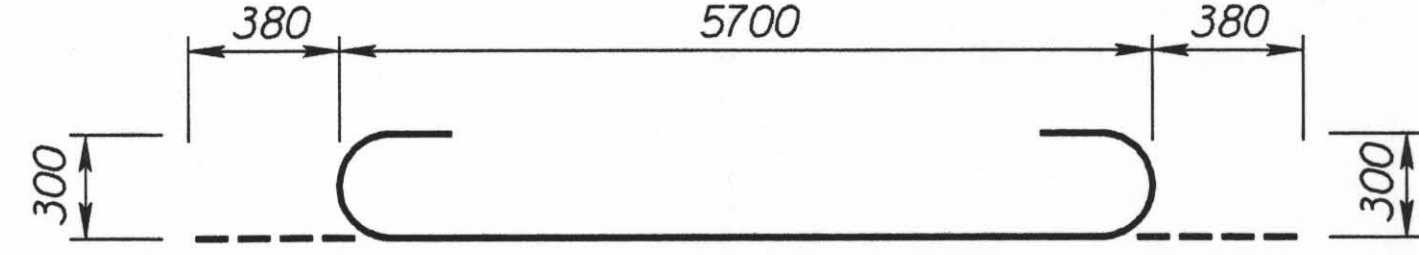
Straight Bars				Bent Bars			
Mark	Size	Number	Length	Mark	Size	Number	Length
P3-1	36	34	6080	PF1	29	56	5260
				PF2	29	44	6460
P3-4	16	20	Varies	PF3	36	68	4110
P3-10	16	28	Varies	P3-2	16	12	4120
P3-11	19	4	8780	P3-3	13	96	1140
P4-1	36	34	5900	P3-5	16	28	1660
				P3-6	16	52	Varies
P4-4	16	20	Varies	P3-7	16	52	4900
				P3-8	16	36	Varies
P4-10	16	28	Varies	P3-9	16	36	2800
P4-11	19	4	8780				
				P3-12	16	9	2100
				P3-13	36	14	9740
				P4-2	16	12	4120
				P4-3	13	96	1140
				P4-5	16	28	1660
				P4-6	16	52	Varies
				P4-7	16	52	4900
				P4-8	16	36	Varies
				P4-9	16	36	2800
				P4-12	16	9	2100
				P4-13	36	9	9740
				P4-14	36	5	9590
				GP1	13	36	1350
				GP2	13	20	2200
P3-1	36	34	6080	PF1	29	56	5260
				PF2	29	44	6460
P3-4	16	20	Varies	PF3	36	68	4110
P3-10	16	28	Varies	P3-2	16	12	4120
P3-11	19	4	8780	P3-3	13	96	1140
P4-1	36	34	5900	P3-5	16	28	1660
				P3-6	16	52	Varies
P4-4	16	20	Varies	P3-7	16	52	4900
				P3-8	16	36	Varies
P4-10	16	28	Varies	P3-9	16	36	2800
P4-11	19	4	8780				
				P3-12	16	9	2100
				P3-13	36	14	9740
				P4-2	16	12	4120
				P4-3	13	96	1140
				P4-5	16	28	1660
				P4-6	16	52	Varies
				P4-7	16	52	4900
				P4-8	16	36	Varies
				P4-9	16	36	2800
				P4-12	16	9	2100
				P4-13	36	9	9740
				P4-14	36	5	9590
				GP1	13	36	1350
				GP2	13	20	2200

Pier No. 1 (Non-Epoxy)  
Substructure

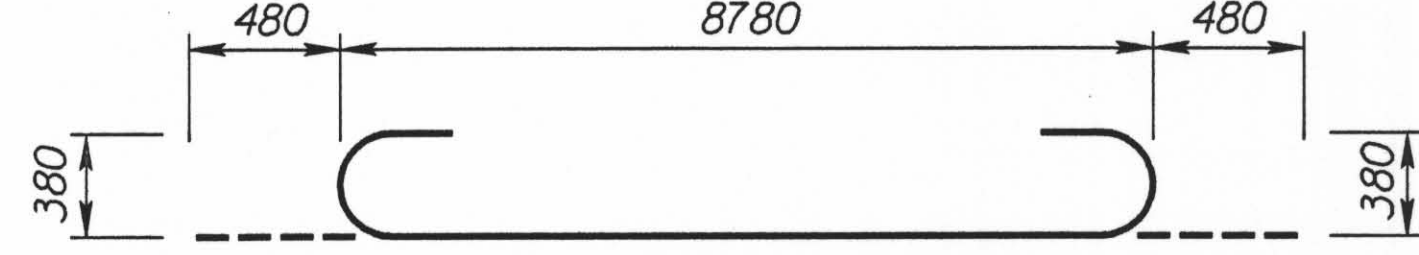
Pier No. 2 (Non-Epoxy)  
Substructure



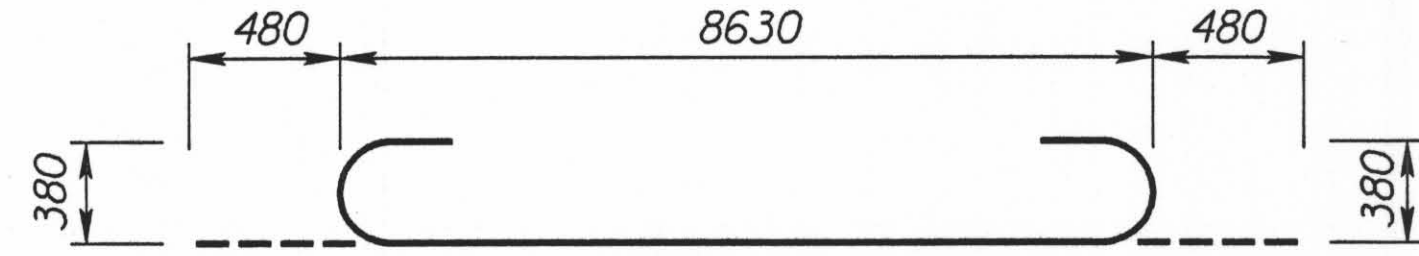
**PF1**



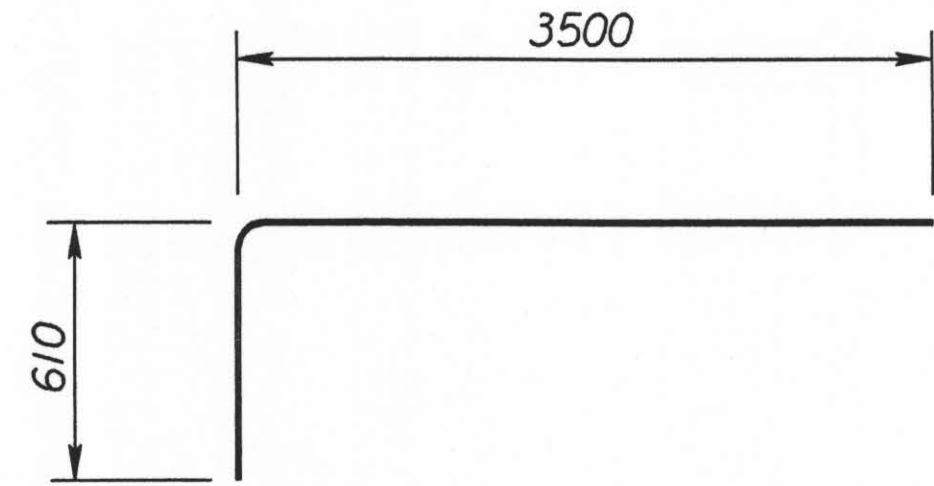
**PF2**



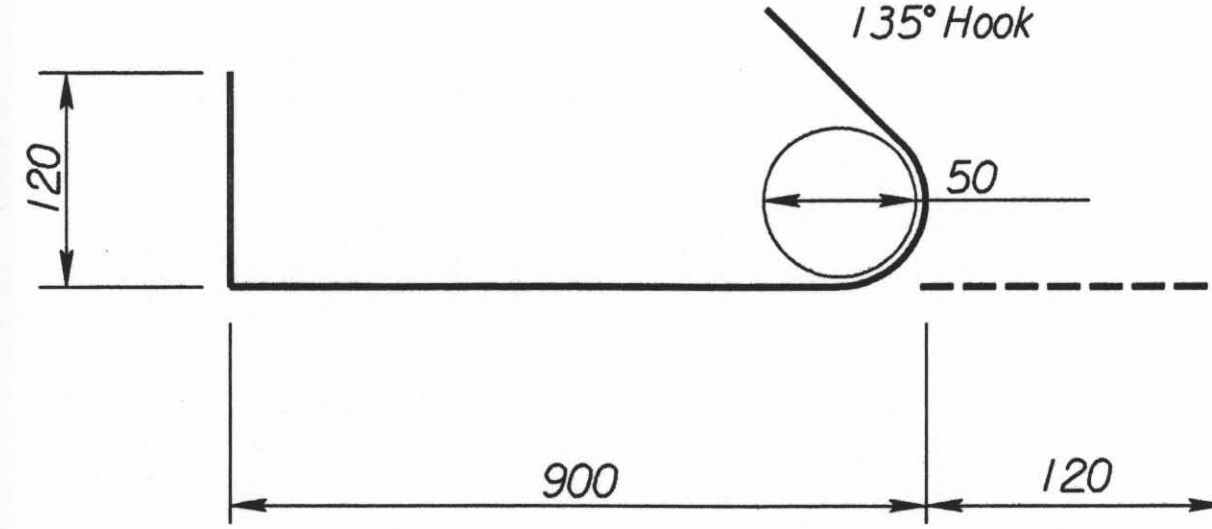
**P3-13, P4-13**



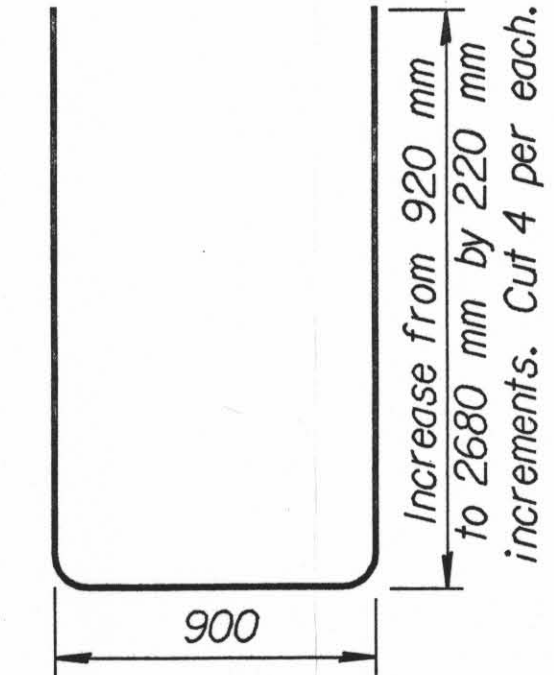
**P4-14**



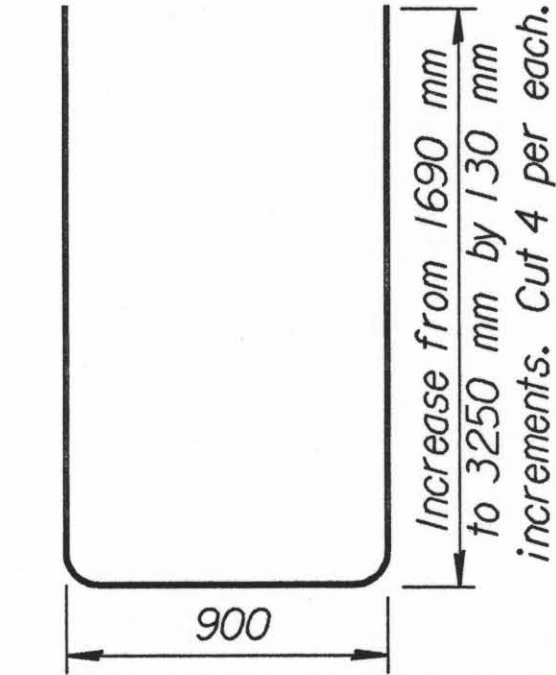
**PF3**



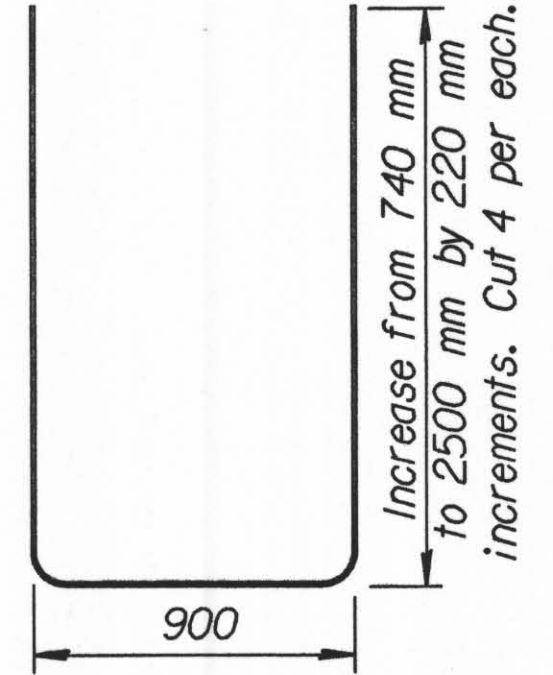
**P3-3, P4-3**



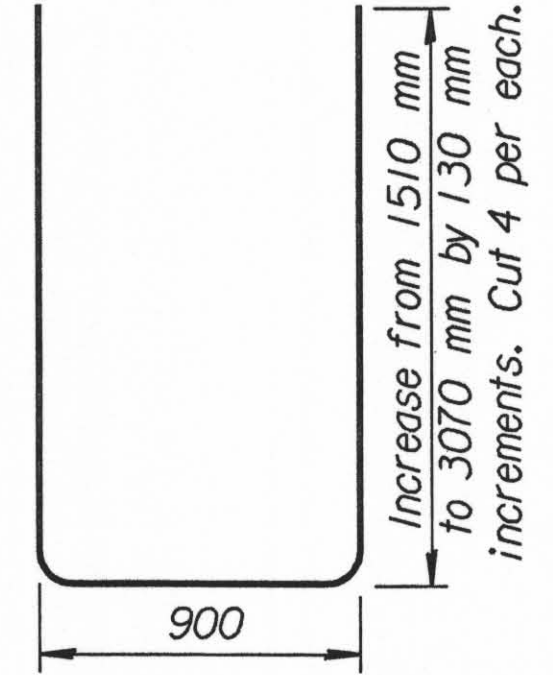
**P3-8**



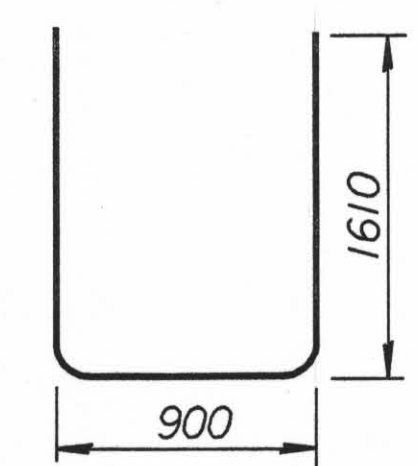
**P3-6**



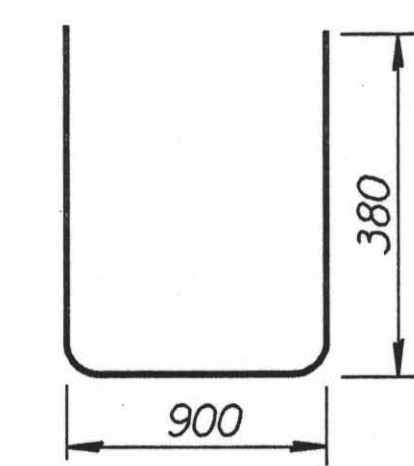
**P4-8**



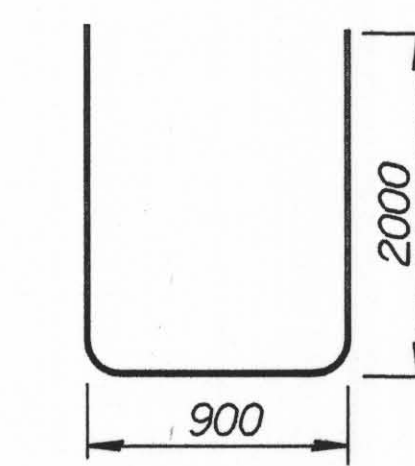
**P4-6**



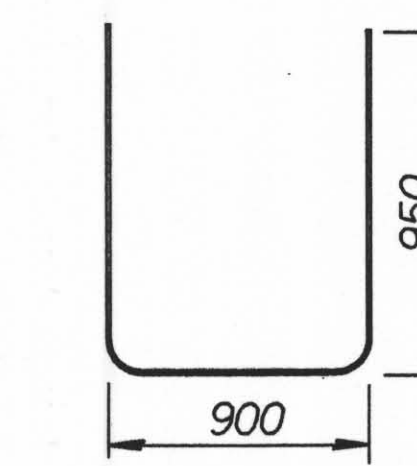
**P3-2, P4-2**



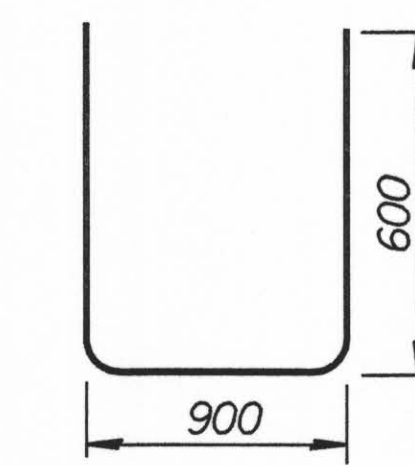
**P3-5, P4-5**



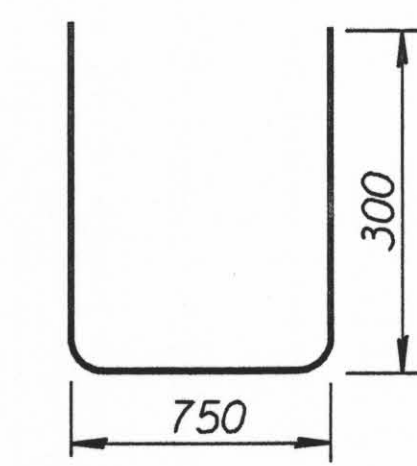
**P3-7, P4-7**



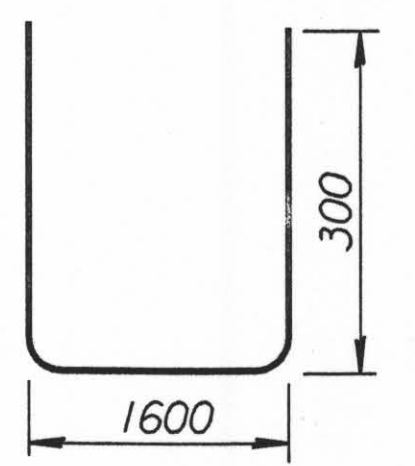
**P3-9, P4-9**



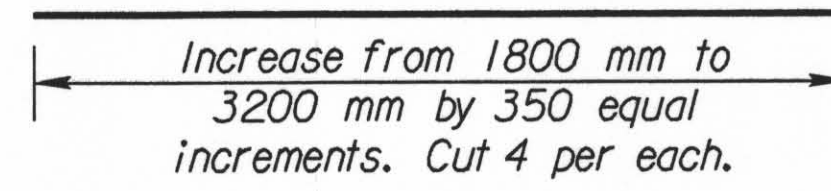
**P3-12, P4-12**



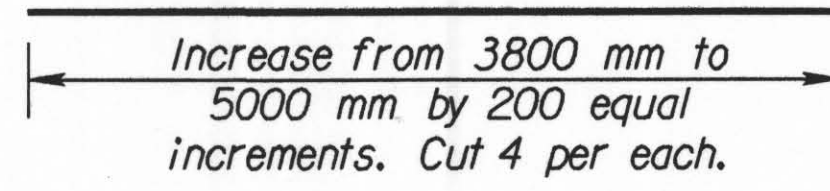
**GP1**



**GP2**



**P3-4, P4-4**



**P3-10, P4-10**

**BENDING DIAGRAMS**  
(All Dimensions are out to out of bars.)

Plotted By : snb  
 Plot File : i:\1997\97362\001\bridge\h\er\pierreinEB  
 Plot Date : 3-25-2002  
 Std. Base File : /usr7/shtslab/br60/bsi.dgm  
 Server File : /usr2/  
 Server : witch  
 View = PLOT4

2				
1				
NO.	DATE	REVISIONS	BY	APP'D
CITY OF WICHITA Br. No. 54-87-20.12(497) E.B. Sta. 17+332.607 <b>BILL OF REINFORCING STEEL</b> AND <b>BENDING DIAGRAMS</b> Sedgwick County				
SHEET NO.	OF	SCALE	APP'D	
DESIGNED	DRT	DETAILED	DRT	QUANTITIES
DESIGN CK.	SMS	DETAIL CK.	QUAN. CK.	CADD CK.