

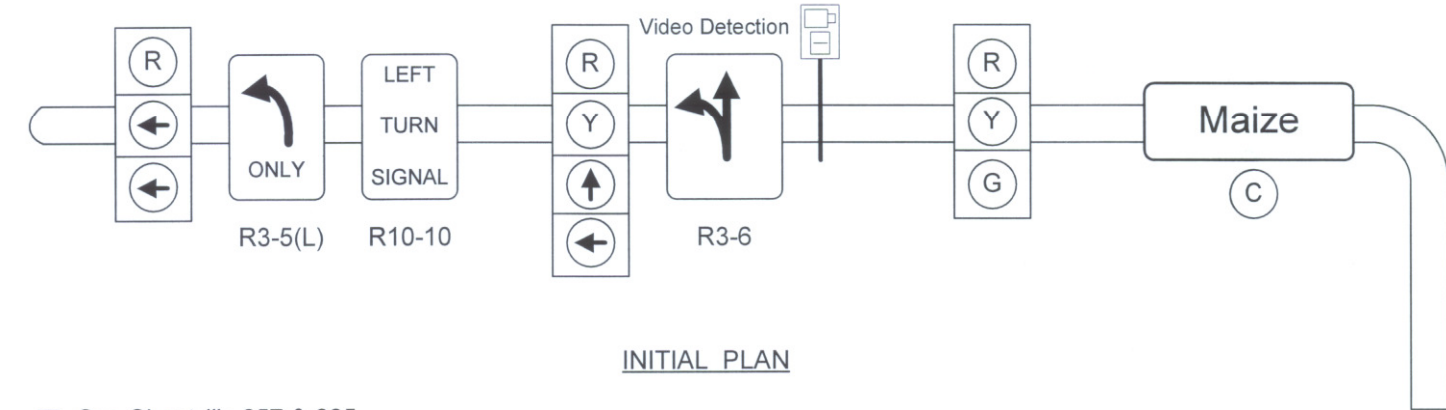
FHWA REGION NO.	STATE	PROJECT NO.	YEAR	SHEET NO.	TOTAL SHEETS
7	KANSAS	54 - 87 K - 6657 - 01	2002	657RA	1122

West Kellogg Freeway – Maize and Tyler Road Interchanges

City of Wichita Project Number: 472 - 83533

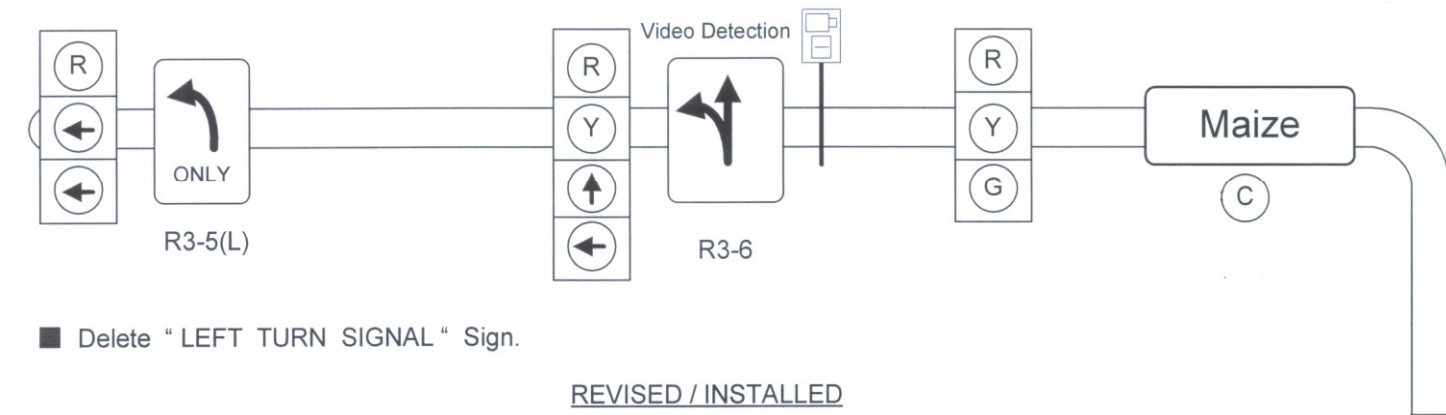
WK

FRONTAGE ROAD WESTBOUND @ MAIZE ROAD (NORTH INTERSECTION) F



INITIAL PLAN

See Sheet #'s 657 & 685.



REVISED / INSTALLED

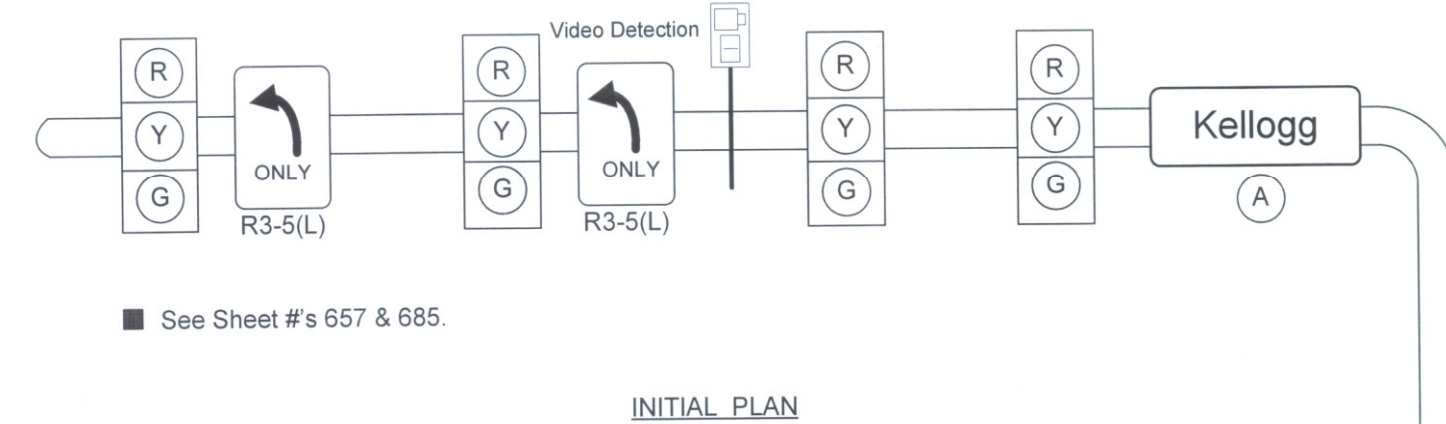
H / Common / West Kellogg Freeway / Viso / Traffic Signals / Maize Rd FR-WB N

West Kellogg Freeway – Maize and Tyler Road Interchanges

City of Wichita Project Number: 472 - 83533

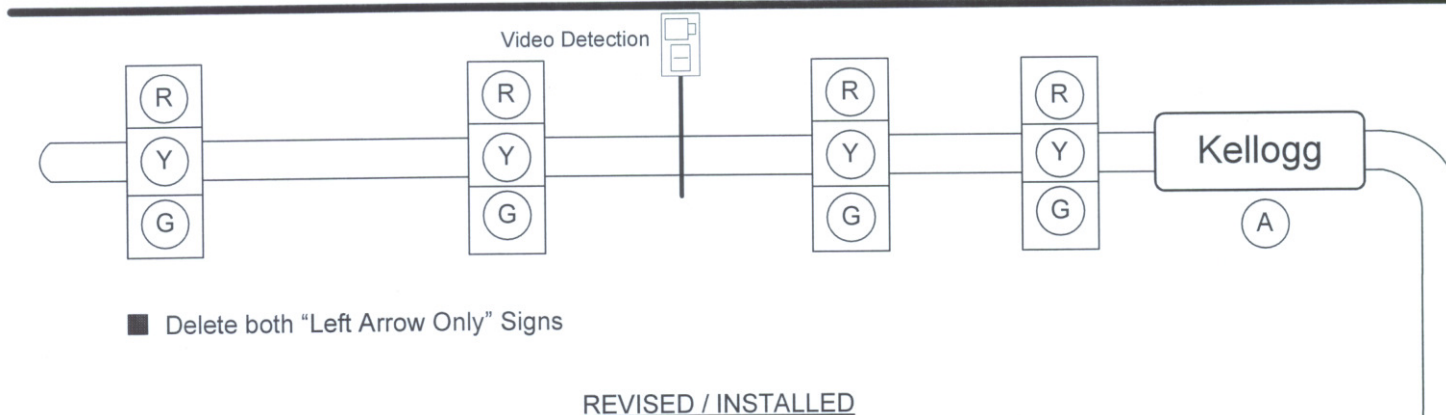
WK

MAIZE ROAD SOUTHBOUND @ FR - WB (NORTH INTERSECTION) C



INITIAL PLAN

See Sheet #'s 657 & 685.



REVISED / INSTALLED

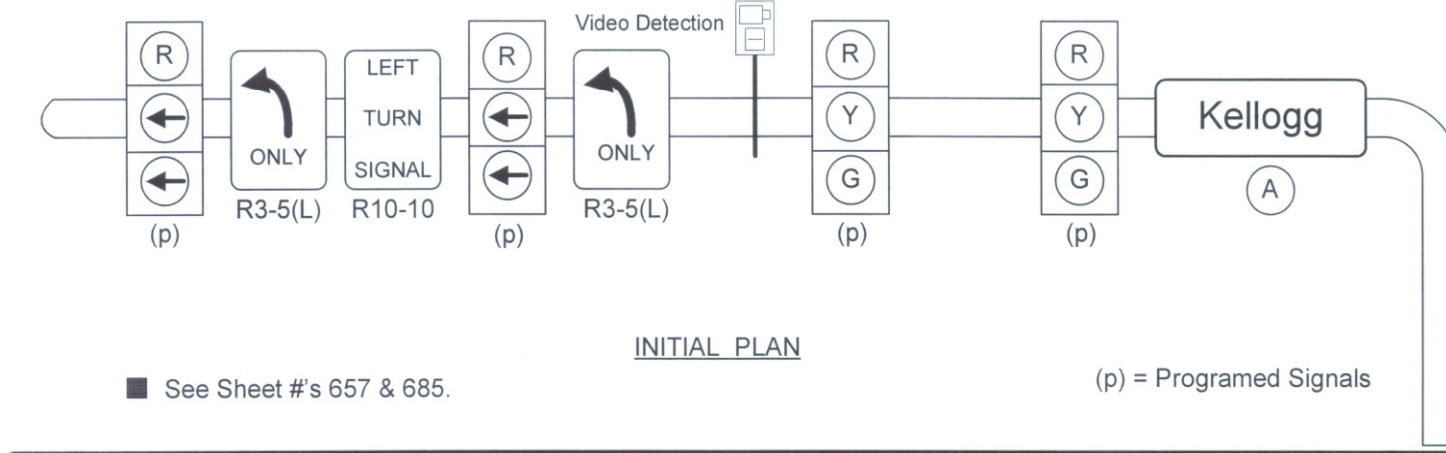
H / Common / West Kellogg Freeway / Viso / Traffic Signals / Maize Rd SB FR-WB N

West Kellogg Freeway – Maize and Tyler Road Interchanges

City of Wichita Project Number: 472 - 83533

WK

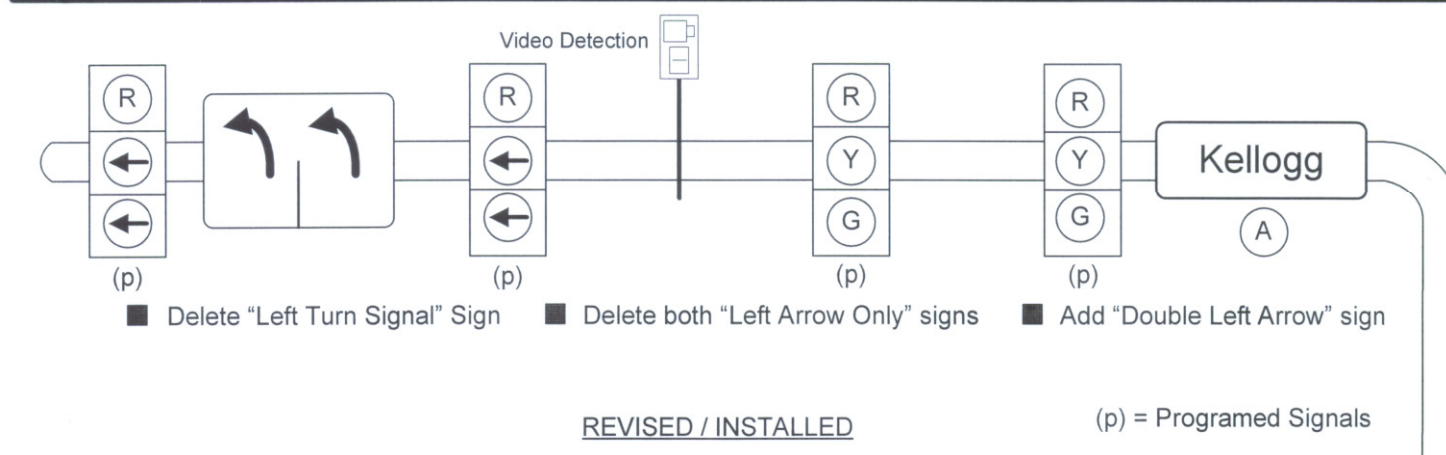
MAIZE ROAD -- SOUTHBOUND @ FR - EB (SOUTH INTERSECTION) D



INITIAL PLAN

See Sheet #'s 657 & 685.

(p) = Programed Signals

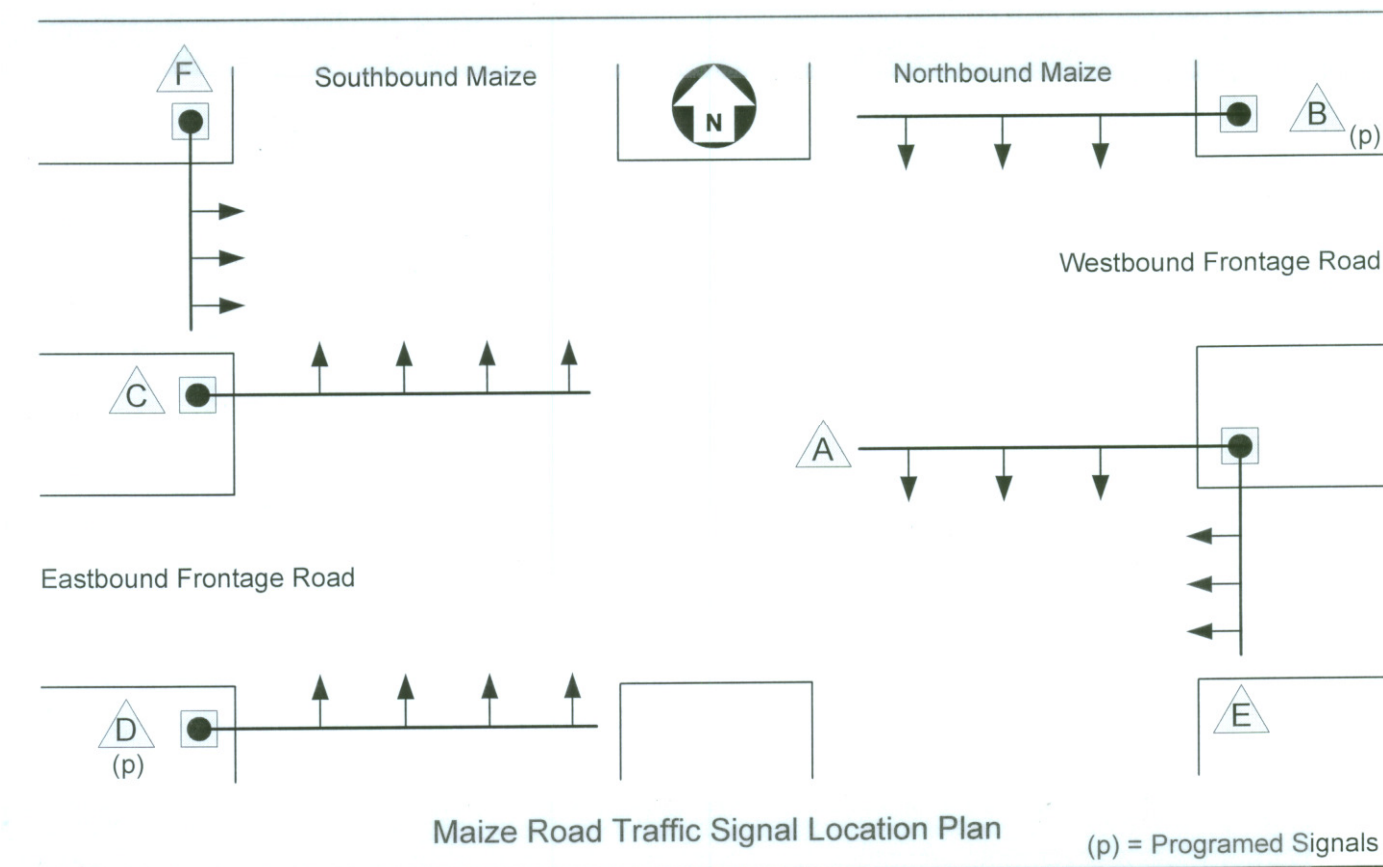


REVISED / INSTALLED

H / Common / West Kellogg Freeway / Viso / Traffic Signals / Maize Rd SB FR-EB S

Delete "Left Turn Signal" Sign Delete both "Left Arrow Only" signs Add "Double Left Arrow" sign

(p) = Programed Signals



Maize Road Traffic Signal Location Plan

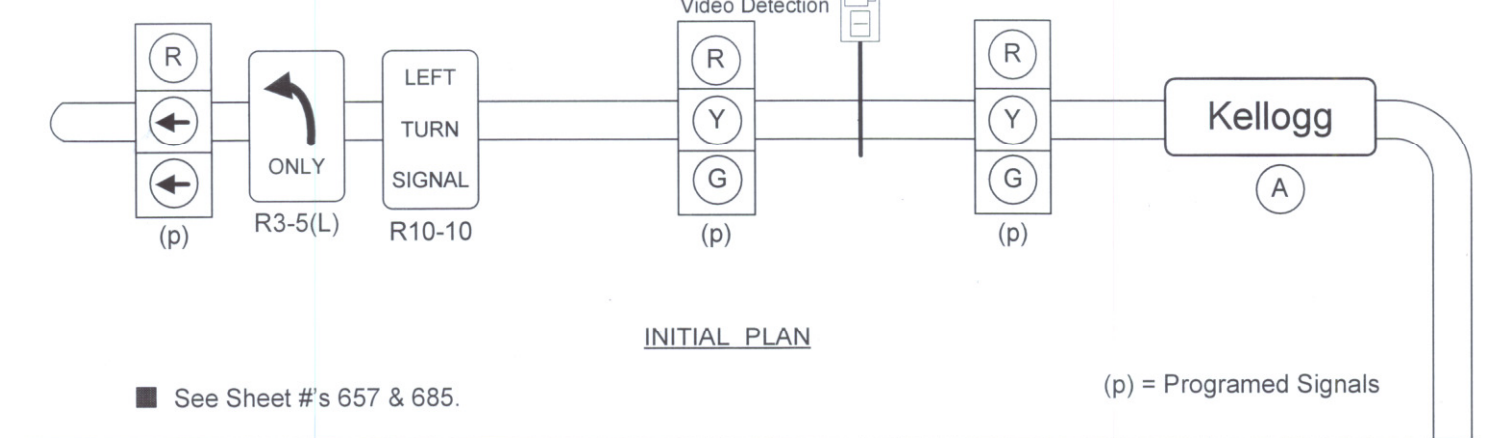
(p) = Programed Signals

West Kellogg Freeway – Maize and Tyler Road Interchanges

City of Wichita Project Number: 472 - 83533

WK

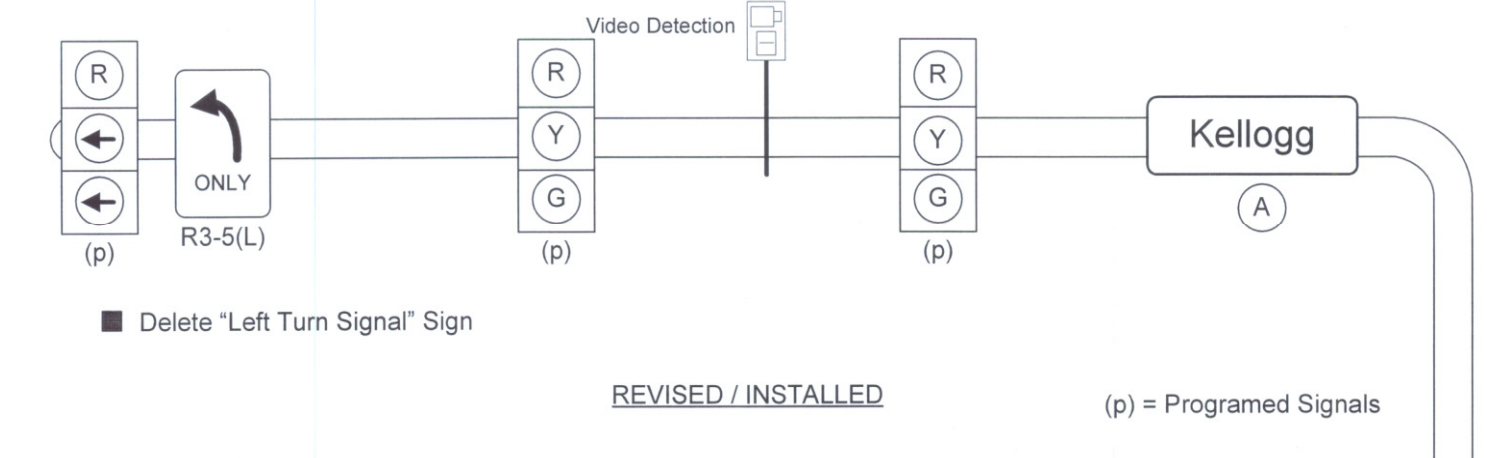
MAIZE ROAD NORTHBOUND @ FR-WB (NORTH INTERSECTION) B



INITIAL PLAN

See Sheet #'s 657 & 685.

(p) = Programed Signals



REVISED / INSTALLED

Delete "Left Turn Signal" Sign

(p) = Programed Signals

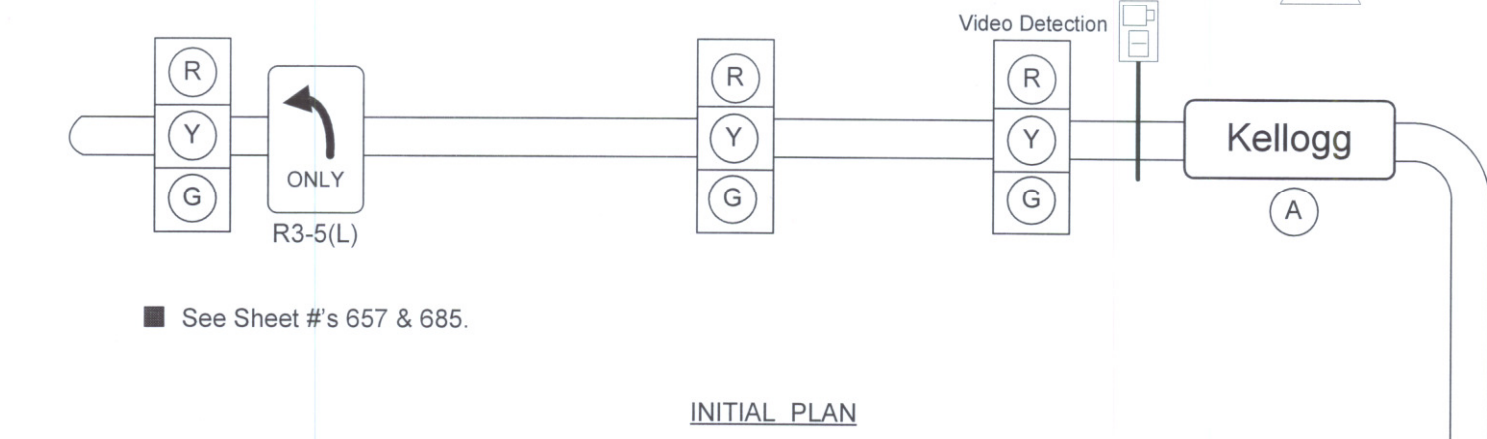
H / Common / West Kellogg Freeway / Viso / Traffic Signals / Maize Rd NB FR-WB N

West Kellogg Freeway – Maize and Tyler Road Interchanges

City of Wichita Project Number: 472 - 83533

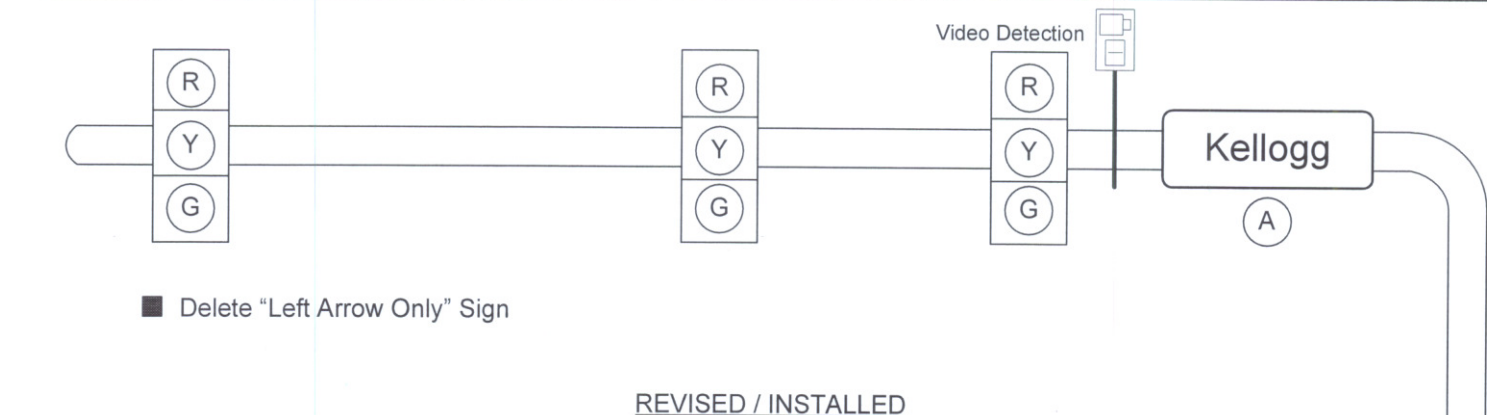
WK

MAIZE ROAD NORTHBOUND @ FR-EB (SOUTH INTERSECTION) A



INITIAL PLAN

See Sheet #'s 657 & 685.



REVISED / INSTALLED

Delete "Left Arrow Only" Sign

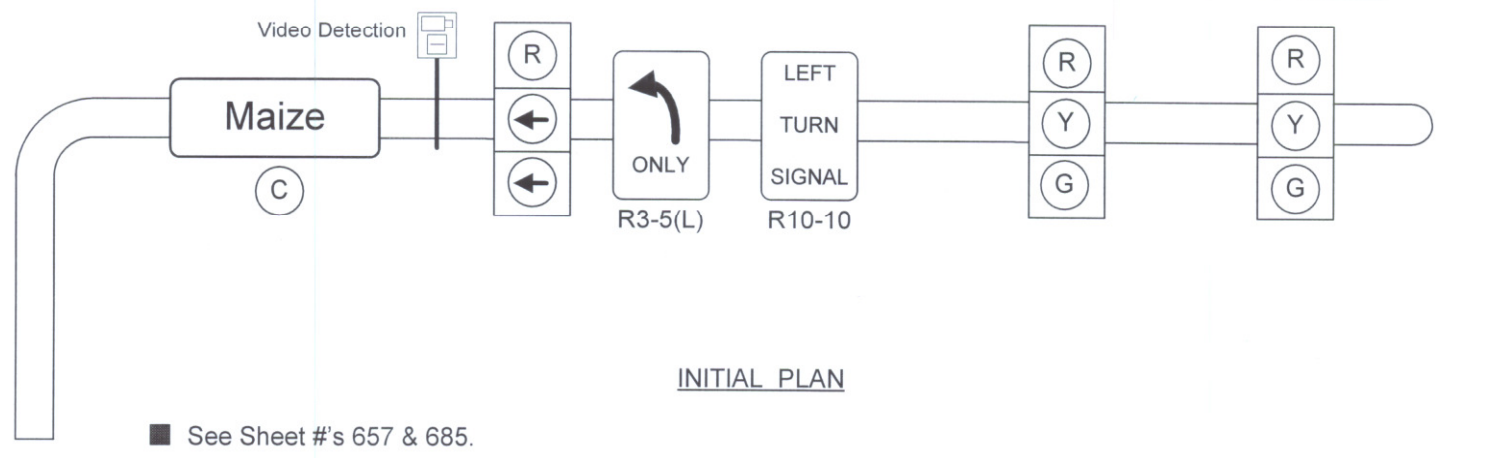
H / Common / West Kellogg Freeway / Viso / Traffic Signals / Maize Rd NB FR-EB S

West Kellogg Freeway – Maize and Tyler Road Interchanges

City of Wichita Project Number: 472 - 83533

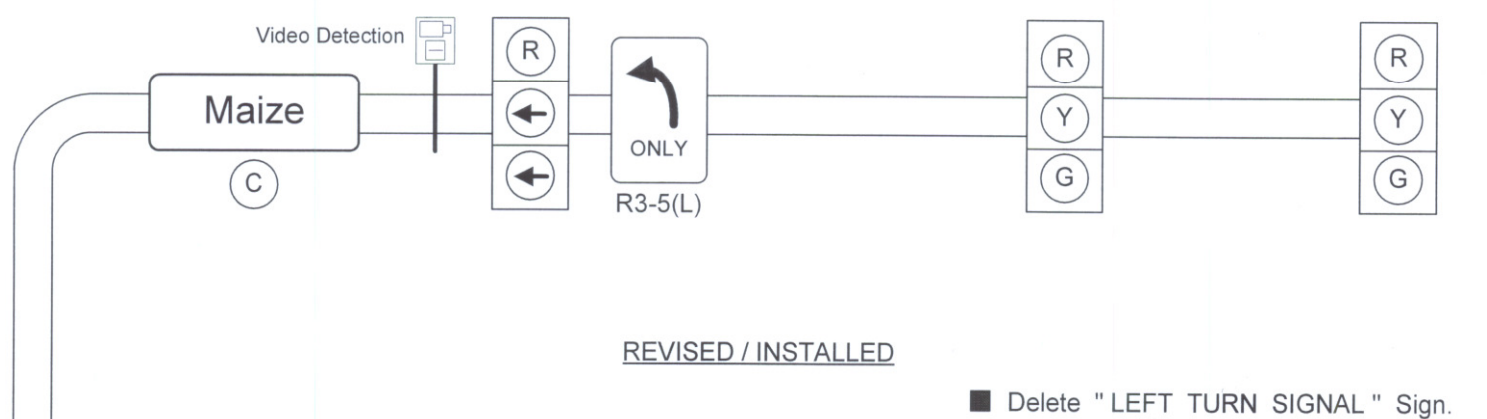
WK

FRONTAGE ROAD EASTBOUND @ MAIZE ROAD (SOUTH INTERSECTION) E



INITIAL PLAN

See Sheet #'s 657 & 685.



REVISED / INSTALLED

Delete "LEFT TURN SIGNAL" Sign.

H / Common / West Kellogg Freeway / Viso / Traffic Signals / Maize Rd FR-EB S