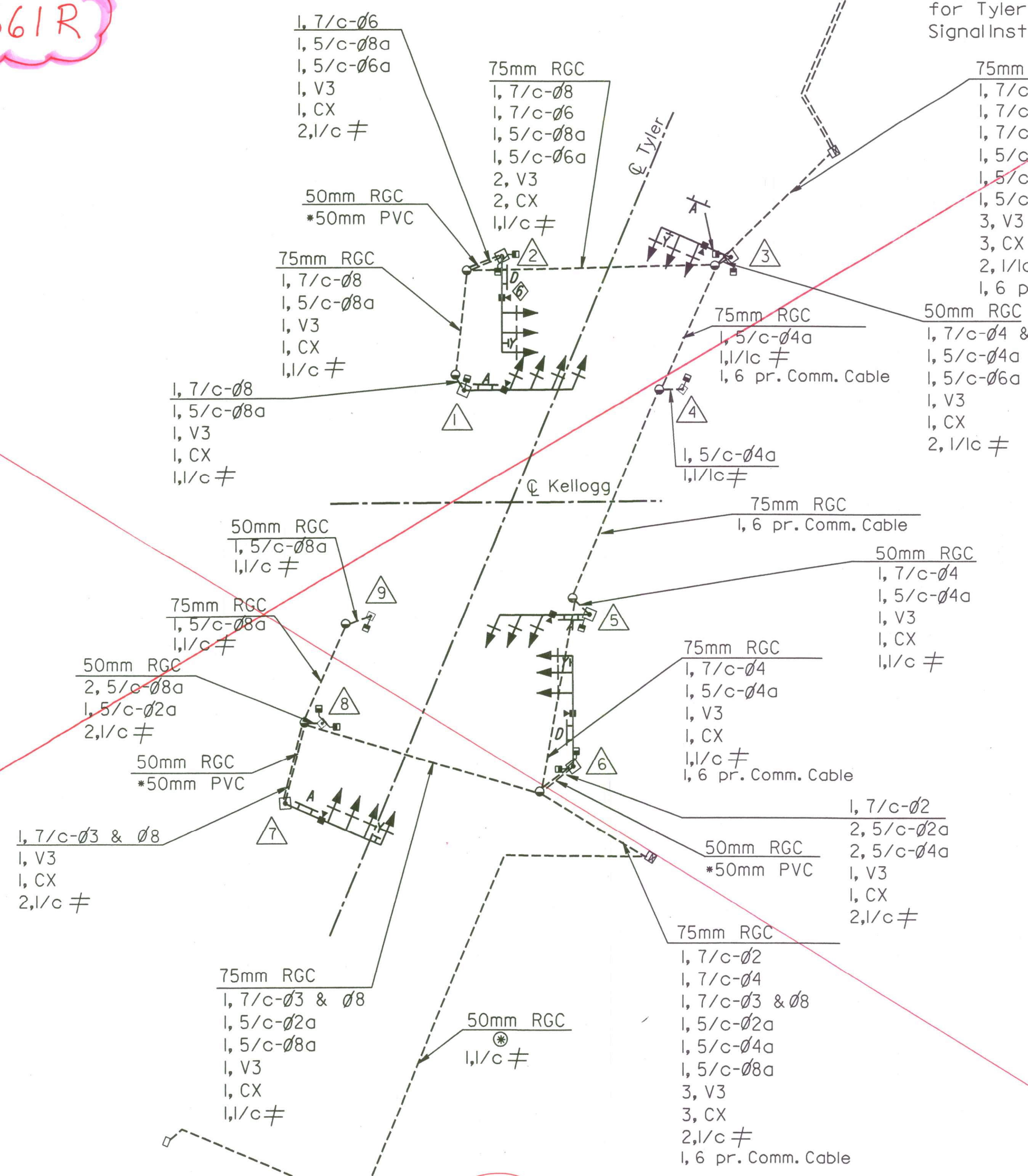
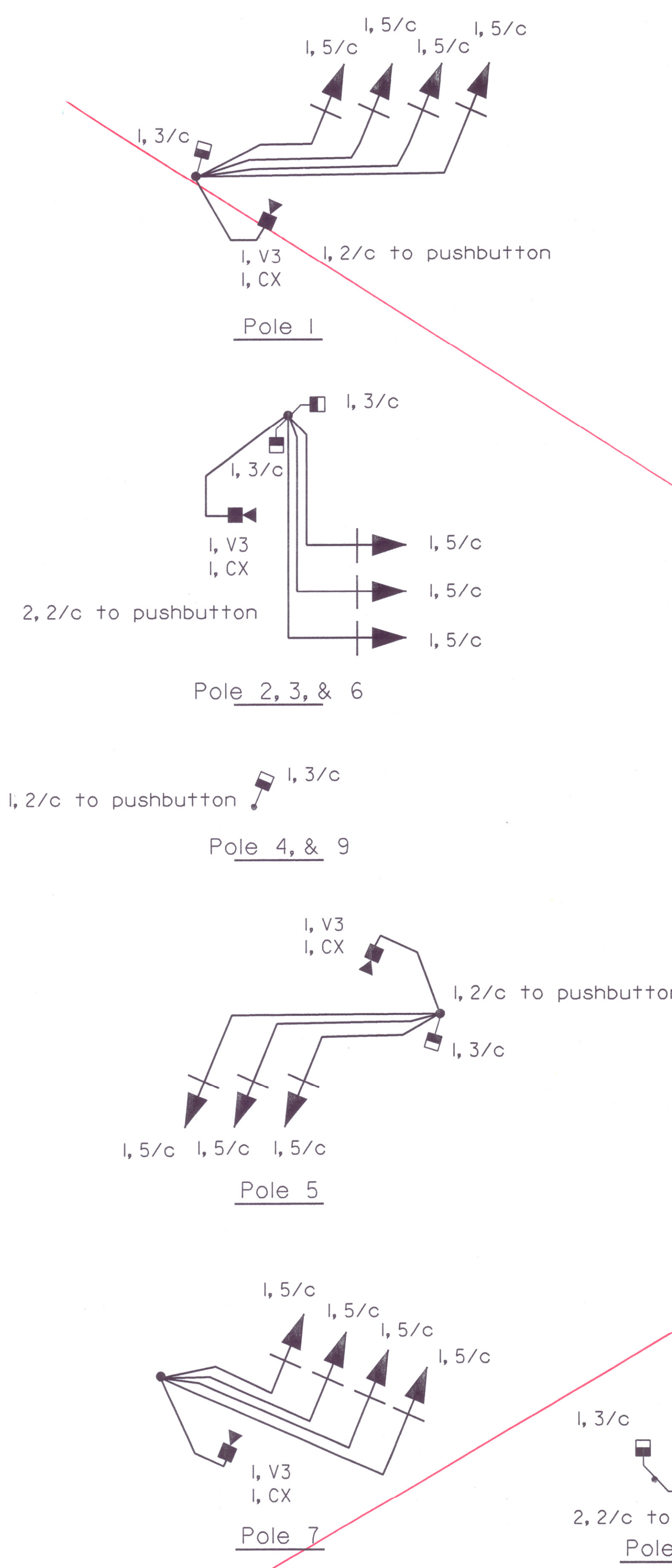


REPLACED BY SHEET NO. 661R

DATE	
BY	
REFERENCES NOTED	
REFERENCES CHECKED	



LEGEND

- * See Lighting Plan
- ⊕ Ground Wire No. 8 AWG, 1/c
- ⊕ Power Supply 2 No. 6 AWG, 1/c
- V3 Video Power Cable No. 16 AWG, 3/c
- CX 75 ohm Coax Video Cable
- 6 pr. Comm. Cable - PVC Jacketed No. 19 AWG Twisted Pair

Sheet 661 ADDENDUM #2:
 1. Add a single 50mm PVC conduit from the Service Box at Sta. 17+294, 3m Rt. to the Service Box at Sta. 17+334, 15.5m Rt.

No.	Revisions	By	Date

CITY OF WICHITA

TRAFFIC SIGNAL PLAN

KELLOGG & TYLER ROAD

WIRING DIAGRAM

SEDGWICK COUNTY

Professional Engineering Consultants, P.A.
 303 S. TOPEKA • WICHITA, KANSAS 67202
 316-262-2691 • FAX 316-262-3003

Designed by	RPG	Checked by	BER
Drawn by	JSB	Date	April, 2002
		Job No.	97362

DSNR: OPER: JGP SCALE: 1:500
 1/1997/97362/SIGNALS/TYLERWIRING.DGN 7-11-2001 11:08:31 LAST REV: 4-1-2002 BY: JGP